

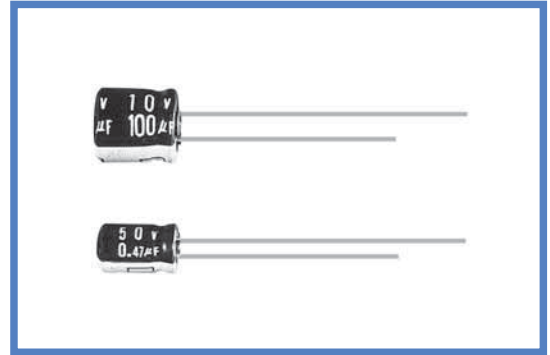
MH7 系列

SERIES

105°C 高7mm品
105°C 7mm Height.

◆特 长 / FEATURES

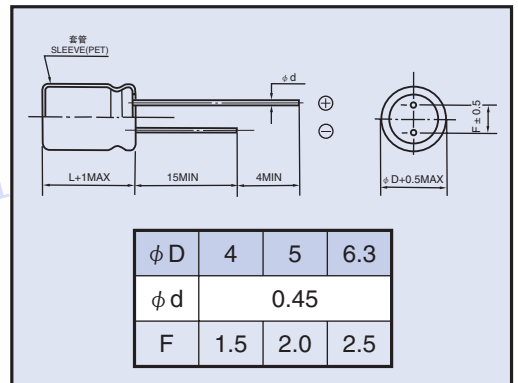
- RoHS指令对应品。
RoHS compliance.



◆规格表 / SPECIFICATIONS

项 目 Items	特 性 Characteristics																					
工作温度范围 Category Temperature Range	-40 ~ +105°C																					
额定电压范围 Rated Voltage Range	6.3 ~ 50V.DC																					
静电容量允许差 Capacitance Tolerance	±20% (20°C, 120Hz)																					
漏电流 Leakage Current(MAX)	小于 $I=0.01CV$ 和 $3\mu A$ 中的较大值 (施加额定电压2分钟后) $I=0.01CV$ or $3\mu A$ whichever is greater. (After 2 minutes application of rated voltage) I =漏电流(μA) Leakage Current C =静电容量(μF) Capacitance V =额定电压(V) Rated Voltage																					
损失角正切值 ($\tan \delta$) Dissipation Factor(MAX)	<table border="1"> <thead> <tr> <th>额定电压(V) Rated Voltage</th> <th>6.3</th> <th>10</th> <th>16</th> <th>25</th> <th>35</th> <th>50</th> </tr> </thead> <tbody> <tr> <td>$\tan \delta$</td> <td>0.24</td> <td>0.20</td> <td>0.16</td> <td>0.14</td> <td>0.12</td> <td>0.10</td> </tr> </tbody> </table> (20°C, 120Hz)	额定电压(V) Rated Voltage	6.3	10	16	25	35	50	$\tan \delta$	0.24	0.20	0.16	0.14	0.12	0.10							
额定电压(V) Rated Voltage	6.3	10	16	25	35	50																
$\tan \delta$	0.24	0.20	0.16	0.14	0.12	0.10																
耐久性 Endurance	在105°C环境中, 不超过额定电压的范围内叠加额定纹波电流, 连续加载1000小时后, 满足以下各项要求。 After applying rated voltage with rated ripple current for 1000 hours at 105°C, the capacitors shall meet the following requirements. <table border="1"> <tbody> <tr> <td>静电容量变化率 Capacitance Change</td> <td>初期值的±25%以内 Within ±25% of the initial value.</td> </tr> <tr> <td>损失角正切值 Dissipation Factor</td> <td>规格值的200%以下 Not more than 200% of the specified value.</td> </tr> <tr> <td>漏 电 流 Leakage Current</td> <td>规格值以下 Not more than the specified value.</td> </tr> </tbody> </table>	静电容量变化率 Capacitance Change	初期值的±25%以内 Within ±25% of the initial value.	损失角正切值 Dissipation Factor	规格值的200%以下 Not more than 200% of the specified value.	漏 电 流 Leakage Current	规格值以下 Not more than the specified value.															
静电容量变化率 Capacitance Change	初期值的±25%以内 Within ±25% of the initial value.																					
损失角正切值 Dissipation Factor	规格值的200%以下 Not more than 200% of the specified value.																					
漏 电 流 Leakage Current	规格值以下 Not more than the specified value.																					
低温特性 Low Temperature Stability (阻抗比) Impedance Ratio(MAX)	<table border="1"> <thead> <tr> <th>额定电压(V) Rated Voltage</th> <th>6.3</th> <th>10</th> <th>16</th> <th>25</th> <th>35</th> <th>50</th> </tr> </thead> <tbody> <tr> <td>$Z(-25^\circ C)/Z(20^\circ C)$</td> <td>3</td> <td>2</td> <td>2</td> <td>2</td> <td>2</td> <td>2</td> </tr> <tr> <td>$Z(-40^\circ C)/Z(20^\circ C)$</td> <td>6</td> <td>5</td> <td>4</td> <td>3</td> <td>3</td> <td>3</td> </tr> </tbody> </table> (120Hz)	额定电压(V) Rated Voltage	6.3	10	16	25	35	50	$Z(-25^\circ C)/Z(20^\circ C)$	3	2	2	2	2	2	$Z(-40^\circ C)/Z(20^\circ C)$	6	5	4	3	3	3
额定电压(V) Rated Voltage	6.3	10	16	25	35	50																
$Z(-25^\circ C)/Z(20^\circ C)$	3	2	2	2	2	2																
$Z(-40^\circ C)/Z(20^\circ C)$	6	5	4	3	3	3																

◆尺寸图 / DIMENSIONS (mm)



◆纹波电流修正系数 / MULTIPLIER FOR RIPPLE CURRENT

频率系数 Frequency Coefficient

频率 (Hz) Frequency	60(50)	120	500	1k	10k≤
1 μF	0.50	1.0	1.20	1.30	1.50
2.2~4.7 μF	0.65	1.0	1.20	1.30	1.50
10~47 μF	0.8	1.0	1.20	1.30	1.50
100 μF	0.8	1.0	1.10	1.15	1.20

◆标准品一览表 / STANDARD SIZE

Size $\phi D \times L$ (mm), Ripple Current (mA r.m.s./105°C, 120Hz)

WV (V.DC)	Cap (μF)	Size ($\phi D \times L$)	Rated Ripple Current
6.3 (0J)	22	4×7	34
	33	5×7	42
	47	5×7	50
	100	6.3×7	77
10 (1A)	22	5×7	38
	33	5×7	47
	47	6.3×7	65
100	6.3×7	87	

WV (V.DC)	Cap (μF)	Size ($\phi D \times L$)	Rated Ripple Current
16 (1C)	10	4×7	29
	22	5×7	44
	33	6.3×7	60
	47	6.3×7	70
	100	6.3×7	91
25 (1E)	10	5×7	33
	22	6.3×7	51
	33	6.3×7	65
	47	6.3×7	70

WV (V.DC)	Cap (μF)	Size ($\phi D \times L$)	Rated Ripple Current
35 (1V)	4.7	4×7	24
	10	5×7	36
	22	6.3×7	60
	33	6.3×7	65
	1	4×7	10
50 (1H)	2.2	4×7	19
	3.3	4×7	24
	4.7	5×7	29
	10	6.3×7	44
	22	6.3×7	60
	100	6.3×7	87

◆副记号 / OPTION

副记号 Code
PET套管 PET Sleeve EFC

◆产品型号体系 / PART NUMBER

□□□	MH7	□□□□□	M	□□□	□□	D×L
额定电压 Rated Voltage	系列名称 Series	静电容量 Capacitance	静电容量允许差 Capacitance Tolerance	副记号 Option	引线加工记号 Lead Forming	铝壳尺寸 Case Size