

MXG 系列

SERIES

基板自立型105℃小型品
105℃ Miniaturized, Snap-in Terminal Type

◆ 特 长 / FEATURES

- 105℃、3000小时品。(50~100WV:2000小时)
Load Life: 105℃ 3000 hours. (50~100WV:2000hours)
- RoHS指令对应品。
RoHS compliance.
- 将以往的MXC系列进一步小型化。
Smaller size than MXC series.



◆ 规格表 / SPECIFICATIONS

项目 Items	特 性 Characteristics																
工作温度范围 Category Temperature Range	-40~+105℃	-25~+105℃															
额定电压范围 Rated Voltage Range	50~100V.DC	160~500V.DC															
静电容量允许差 Capacitance Tolerance	±20% (20℃, 120Hz)																
漏 电 流 Leakage Current(MAX)	$I = 3\sqrt{CV}$ (施加额定电压5分钟后) $I = 3\sqrt{CV}$ (After 5 minutes application of rated voltage) I=漏电流 (µA) C=静电容量 (µF) V=额定电压 (V) Leakage Current Capacitance Rated Voltage																
损失角正切值 (tan δ) Dissipation Factor(MAX)	<table border="1"> <thead> <tr> <th>额定电压 (V) Rated Voltage</th> <th>50</th> <th>63</th> <th>80~100</th> <th>160~450</th> <th>500</th> </tr> </thead> <tbody> <tr> <td>tan δ</td> <td>0.35</td> <td>0.30</td> <td>0.25</td> <td>0.20</td> <td>0.25</td> </tr> </tbody> </table> (20℃, 120Hz)		额定电压 (V) Rated Voltage	50	63	80~100	160~450	500	tan δ	0.35	0.30	0.25	0.20	0.25			
额定电压 (V) Rated Voltage	50	63	80~100	160~450	500												
tan δ	0.35	0.30	0.25	0.20	0.25												
耐 久 性 Endurance	在105℃环境中, 不超过额定电压的范围内叠加额定纹波电流, 连续加载3000小时 (50~100W:2000小时) 后, 满足以下各项要求。 After applying rated voltage with rated ripple current for 3000 hours (50~100W:2000 hours) at 105℃, the capacitors shall meet the following requirements.																
	静电容量变化率 Capacitance Change	初期值的±20%以内 Within ±20% of the initial value.															
	损失角正切值 Dissipation Factor	规格值的200%以下 Not more than 200% of the specified value.															
	漏 电 流 Leakage Current	规格值以下 Not more than the specified value.															
低温特性 Low Temperature Stability (阻抗比) Impedance Ratio (MAX)	<table border="1"> <thead> <tr> <th>额定电压 (V) Rated Voltage</th> <th>50~100</th> <th>160~250</th> <th>400~450</th> <th>500</th> </tr> </thead> <tbody> <tr> <td>Z(-25℃)/Z(20℃)</td> <td>3</td> <td>4</td> <td>8</td> <td>12</td> </tr> <tr> <td>Z(-40℃)/Z(20℃)</td> <td>12</td> <td>-</td> <td>-</td> <td>-</td> </tr> </tbody> </table> (120Hz)		额定电压 (V) Rated Voltage	50~100	160~250	400~450	500	Z(-25℃)/Z(20℃)	3	4	8	12	Z(-40℃)/Z(20℃)	12	-	-	-
额定电压 (V) Rated Voltage	50~100	160~250	400~450	500													
Z(-25℃)/Z(20℃)	3	4	8	12													
Z(-40℃)/Z(20℃)	12	-	-	-													

◆ 纹波电流修正系数 / MULTIPLIER FOR RIPPLE CURRENT

频率系数 Frequency Coefficient

频率 (Hz) Frequency	60(50)	120	500	1k	10k≤
50~100WV	0.90	1.00	1.05	1.10	1.15
160~250WV	0.80	1.00	1.20	1.30	1.50
400~500WV	0.80	1.00	1.20	1.25	1.40

◆ 产品型号体系 / PART NUMBER

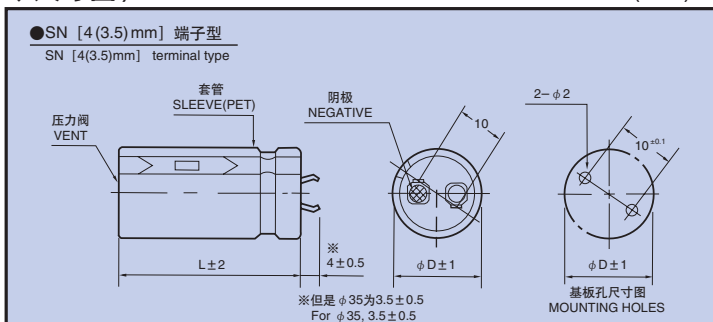
□□□ MXG □□□□□ M □□□ SN D×L
 额定电压 系列名称 静电容量 静电容量允许差 副记号 端子记号 铝壳尺寸
 Rated Voltage Series Capacitance Capacitance Tolerance Option Terminal Code Case Size

◆ 副记号 / OPTION

副记号 Code	记号 Code
PET套管, 无底板 PET Sleeve without plate	EFC

◆ 尺寸图 / DIMENSIONS

(mm)



◆标准品一览表/STANDARD SIZE

Cap (μF)	wv φD	50					63				
		φ 20	φ 22	φ 25	φ 30	φ 35	φ 20	φ 22	φ 25	φ 30	φ 35
1500							20×25; 1.47				
1800							20×30; 1.58				
2200		20×25; 1.60					20×35; 1.82				
2700		20×30; 1.73	22×25; 1.73					22×30; 2.11	25×25; 2.11		
3300		20×35; 1.97	22×30; 1.97					22×35; 2.33			
3900		20×40; 2.22	22×35; 2.22	25×25; 2.22				22×40; 2.55	25×30; 2.55	30×25; 2.55	
4700		20×45; 2.43	22×40; 2.43	25×30; 2.43				22×45; 2.97	25×35; 2.97		
5600			22×45; 2.75	25×35; 2.75	30×25; 2.75				25×40; 3.22	30×30; 3.22	35×25; 3.22
6800			22×50; 3.30	25×40; 3.30	30×30; 3.30	35×25; 3.30			25×45; 3.65	30×35; 3.65	35×30; 3.65
8200				25×45; 3.60	30×35; 3.60					30×40; 4.04	35×35; 4.04
10000				25×50; 4.05	30×40; 4.05	35×30; 4.05				30×45; 4.48	35×40; 4.48
12000					30×45; 4.56	35×35; 4.56					35×45; 4.75
15000					30×50; 4.77	35×40; 4.77					35×50; 5.25

Cap (μF)	wv φD	80					100				
		φ 20	φ 22	φ 25	φ 30	φ 35	φ 20	φ 22	φ 25	φ 30	φ 35
680							20×25; 1.15				
820							20×30; 1.32	22×25; 1.32			
1000		20×25; 1.24					20×30; 1.47				
1200		20×30; 1.44	22×25; 1.44				20×35; 1.69	22×30; 1.69	25×25; 1.69		
1500		20×30; 1.59						22×35; 1.98	25×30; 1.98		
1800		20×35; 1.79	22×30; 1.79	25×25; 1.79				22×40; 2.23		30×25; 2.23	
2200		20×40; 2.03	22×35; 2.03						25×40; 2.55	30×30; 2.55	35×25; 2.55
2700			22×40; 2.39		30×25; 2.39				25×45; 2.89	30×35; 2.89	
3300			22×50; 2.64		30×30; 2.64	35×25; 2.64			25×50; 3.30	30×40; 3.30	
3900				25×45; 2.97	30×30; 2.97					30×45; 3.67	35×35; 3.67
4700				25×50; 3.38	30×35; 3.38	35×30; 3.38				30×50; 3.80	35×40; 3.80
5600					30×40; 3.80	35×35; 3.80					35×45; 4.05
6800					30×50; 4.10	35×40; 4.10					
8200					35×45; 4.30						

Cap (μF)	wv φD	160					180				
		φ 20	φ 22	φ 25	φ 30	φ 35	φ 20	φ 22	φ 25	φ 30	φ 35
330		20×25; 1.17					20×25; 1.20				
390		20×25; 1.28					20×30; 1.28	22×25; 1.28			
470		20×30; 1.40	22×25; 1.40				20×35; 1.38	22×30; 1.38			
560		20×35; 1.50	22×30; 1.50				20×40; 1.50	22×30; 1.50	25×25; 1.50		
680		20×40; 1.70	22×30; 1.70	25×25; 1.70			20×45; 1.70	22×35; 1.70	25×30; 1.70		
820			22×35; 2.00	25×30; 2.00				22×40; 2.00	25×35; 2.00	30×25; 2.00	
1000			22×40; 2.20	25×35; 2.20	30×25; 2.20				25×40; 2.20	30×30; 2.20	35×25; 2.20
1200				25×40; 2.30	30×30; 2.30	35×25; 2.30			25×45; 2.30	30×35; 2.30	35×30; 2.30
1500				25×45; 2.50	30×35; 2.50	35×30; 2.50			25×50; 2.50	30×40; 2.50	35×30; 2.50
1800					30×40; 2.70	35×35; 2.70				30×45; 2.70	35×35; 2.70
2200					30×45; 2.90	35×40; 2.90				30×50; 2.90	35×40; 2.90
2700						35×45; 3.10					35×50; 3.10

Cap (μF)	wv φD	200					220				
		φ 20	φ 22	φ 25	φ 30	φ 35	φ 20	φ 22	φ 25	φ 30	φ 35
220							20×25; 0.98				
270		20×25; 0.99					20×30; 1.08	22×25; 1.08			
330		20×30; 1.20	22×25; 1.20				20×30; 1.26	22×25; 1.26			
390		20×30; 1.34	22×25; 1.34				20×35; 1.34	22×30; 1.34	25×25; 1.34		
470		20×35; 1.48	22×30; 1.48	25×25; 1.48			20×40; 1.48	22×35; 1.48	25×25; 1.48		
560		20×40; 1.60	22×35; 1.60	25×25; 1.60			20×45; 1.61	22×40; 1.61	25×30; 1.61	30×25; 1.61	
680			22×40; 1.75	25×30; 1.75	30×25; 1.75			22×45; 1.78	25×35; 1.78	30×25; 1.78	
820			22×45; 2.04	25×35; 2.04	30×25; 2.04			22×50; 1.93	25×40; 1.93	30×30; 1.93	35×25; 1.93
1000				25×45; 2.30	30×30; 2.30				25×50; 2.33	30×35; 2.33	35×30; 2.33
1200				25×50; 2.65	30×35; 2.65	35×30; 2.65				30×40; 2.50	35×35; 2.50
1500					30×45; 2.80	35×35; 2.80				30×50; 2.76	35×40; 2.76
1800					30×50; 3.08	35×40; 3.08					35×45; 3.11
2200					35×45; 3.48						

↑ 纹波电流 Ripple Current (A r.m.s./120Hz, 105°C)
↑ 铝壳尺寸 Case Size φ D×L(mm)



大型铝电解电容器

LARGE CAN TYPE ALUMINUM ELECTROLYTIC CAPACITORS

MXG

◆标准品一览表/STANDARD SIZE

Cap (μ F)	WV ϕ D	250					400				
		ϕ 20	ϕ 22	ϕ 25	ϕ 30	ϕ 35	ϕ 20	ϕ 22	ϕ 25	ϕ 30	ϕ 35
68							20×25; 0.49				
82							20×25; 0.57	22×25; 0.57			
100							20×30; 0.70	22×25; 0.70			
120							20×35; 0.75	22×30; 0.75	25×25; 0.75		
150							20×40; 0.88	22×35; 0.88	25×25; 0.88		
180								22×35; 0.95	25×30; 0.95	30×25; 0.95	
220	20×25; 1.00							22×45; 1.10	25×35; 1.10	30×25; 1.10	
270	20×30; 1.10	22×25; 1.10						22×50; 1.22	25×40; 1.22	30×30; 1.22	35×25; 1.22
330	20×35; 1.20	22×30; 1.20	25×25; 1.20						25×45; 1.44	30×35; 1.44	35×30; 1.44
390	20×40; 1.30	22×35; 1.30	25×25; 1.30						25×50; 1.55	30×40; 1.55	35×30; 1.55
470	20×45; 1.40	22×40; 1.40	25×30; 1.40	30×25; 1.40						30×45; 1.68	35×35; 1.66
560		22×45; 1.50	25×35; 1.50	30×25; 1.50						30×50; 1.90	35×40; 1.90
680		22×50; 1.70	25×40; 1.70	30×30; 1.70	35×25; 1.70						35×45; 2.12
820			25×45; 2.00	30×35; 2.00	35×30; 2.00						
1000				30×40; 2.20	35×35; 2.20						
1200				30×45; 2.30	35×35; 2.30						
1500					35×45; 2.50						
1800					35×50; 2.70						

Cap (μ F)	WV ϕ D	420					450				
		ϕ 20	ϕ 22	ϕ 25	ϕ 30	ϕ 35	ϕ 20	ϕ 22	ϕ 25	ϕ 30	ϕ 35
56							20×25; 0.44				
68	20×25; 0.50						20×25; 0.50	22×25; 0.50			
82	20×25; 0.64	22×25; 0.64					20×30; 0.64	22×25; 0.64			
100	20×30; 0.66	22×25; 0.66	25×25; 0.66				20×35; 0.69	22×30; 0.69	25×25; 0.69		
120	20×35; 0.81	22×30; 0.81	25×25; 0.81				20×35; 0.72	22×30; 0.72	25×25; 0.72		
150	20×40; 0.84	22×35; 0.84	25×30; 0.84	30×25; 0.84			20×45; 0.79	22×35; 0.79	25×30; 0.79	30×25; 0.79	
180	20×45; 0.91	22×40; 0.91	25×30; 0.91	30×25; 0.91				22×40; 0.87	25×35; 0.87	30×25; 0.87	
220		22×45; 1.05	25×35; 1.05	30×30; 1.05	35×25; 1.05			22×50; 1.05	25×40; 1.05	30×30; 1.05	35×25; 1.05
270			25×40; 1.25	30×30; 1.25	35×25; 1.25				25×45; 1.23	30×35; 1.23	35×30; 1.23
330			25×50; 1.42	30×35; 1.42	35×30; 1.42				25×50; 1.38	30×40; 1.38	35×30; 1.38
390				30×40; 1.61	35×35; 1.61					30×45; 1.61	35×35; 1.61
470				30×45; 1.86	35×40; 1.86					30×50; 1.78	35×40; 1.78
560					35×45; 2.10						35×45; 1.99
680					35×50; 2.20						

Cap (μ F)	WV ϕ D	500				
		ϕ 20	ϕ 22	ϕ 25	ϕ 30	ϕ 35
39	20×25; 0.39					
47	20×30; 0.46	22×25; 0.44				
56	20×35; 0.52	22×30; 0.51				
68	20×40; 0.60	22×30; 0.56	25×25; 0.55			
82	20×45; 0.68	22×35; 0.68	25×30; 0.64	30×25; 0.63		
100		22×40; 0.77	25×35; 0.74	30×25; 0.69		
120		22×50; 0.87	25×35; 0.81	30×30; 0.81	35×25; 0.83	
150			25×45; 0.97	30×35; 0.96	35×30; 0.98	
180			25×50; 1.10	30×40; 1.07	35×30; 1.06	
220				30×45; 1.22	35×40; 1.31	
270					35×40; 1.43	
330					35×45; 1.63	
390					35×55; 1.89	
470					35×60; 2.11	

↑ 纹波电流 Ripple Current (A r.m.s./120Hz, 105°C)
铝壳尺寸 Case Size ϕ D×L(mm)