

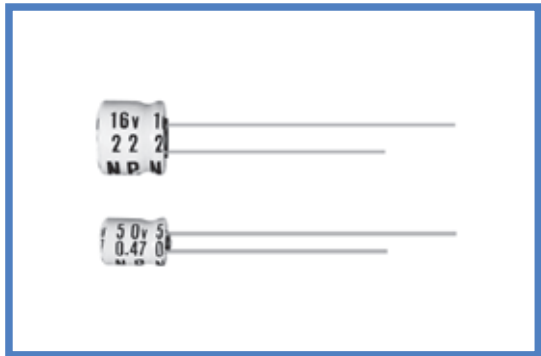
NW5 系列

SERIES

双极性高5mm品 Bi-polar, 5mm Height

◆特 长 / FEATURES

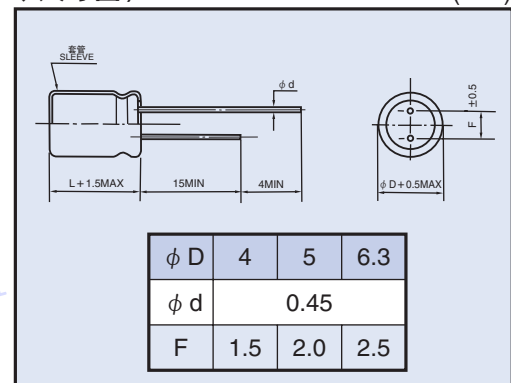
- RoHS指令对应品。
RoHS compliance.



◆规格表 / SPECIFICATIONS

项 目 Items	特 性 Characteristics																					
工作温度范围 Category Temperature Range	-40 ~ +85°C																					
额定电压范围 Rated Voltage Range	6.3 ~ 50V.DC																					
静电容量允许差 Capacitance Tolerance	±20% (20°C, 120Hz)																					
漏 电 流 Leakage Current (MAX)	小于 $I=0.05CV$ 和 $10\mu A$ 中的较大值 (施加额定电压5分钟后) $I=0.05CV$ or $10\mu A$ whichever is greater. (After 5 minutes application of rated voltage) I =漏电流 (μA) Leakage Current C =静电容量 (μF) Capacitance V =额定电压 (V) Rated Voltage																					
损失角正切值 ($\tan \delta$) Dissipation Factor (MAX)	<table border="1"> <thead> <tr> <th>额定电压 (V) Rated Voltage</th> <th>6.3</th> <th>10</th> <th>16</th> <th>25</th> <th>35</th> <th>50</th> </tr> </thead> <tbody> <tr> <td>$\tan \delta$</td> <td>0.26</td> <td>0.22</td> <td>0.20</td> <td>0.20</td> <td>0.20</td> <td>0.20</td> </tr> </tbody> </table> (20°C, 120Hz)	额定电压 (V) Rated Voltage	6.3	10	16	25	35	50	$\tan \delta$	0.26	0.22	0.20	0.20	0.20	0.20							
额定电压 (V) Rated Voltage	6.3	10	16	25	35	50																
$\tan \delta$	0.26	0.22	0.20	0.20	0.20	0.20																
耐 久 性 Endurance	在85°C中, 每500小时将极性反转一次, 不超过额定电压的范围施加额定纹波电流, 连续加载1000小时后, 满足以下各项要求。 After applying rated voltage with rated ripple current for 1000hrs at 85°C, (The polarity shall be reversed every 500hrs.), the capacitors shall meet the following requirements. <table border="1"> <tbody> <tr> <td>静电容量变化率 Capacitance Change</td> <td>初期值的±25%以内 Within ±25% of the initial value.</td> </tr> <tr> <td>损失角正切值 Dissipation Factor</td> <td>规格值的200%以下 Not more than 200% of the specified value.</td> </tr> <tr> <td>漏 电 流 Leakage Current</td> <td>规格值以下 Not more than the specified value.</td> </tr> </tbody> </table>	静电容量变化率 Capacitance Change	初期值的±25%以内 Within ±25% of the initial value.	损失角正切值 Dissipation Factor	规格值的200%以下 Not more than 200% of the specified value.	漏 电 流 Leakage Current	规格值以下 Not more than the specified value.															
静电容量变化率 Capacitance Change	初期值的±25%以内 Within ±25% of the initial value.																					
损失角正切值 Dissipation Factor	规格值的200%以下 Not more than 200% of the specified value.																					
漏 电 流 Leakage Current	规格值以下 Not more than the specified value.																					
低 温 特 性 Low Temperature Stability (阻 抗 比) Impedance Ratio (MAX)	<table border="1"> <thead> <tr> <th>额定电压 (V) Rated Voltage</th> <th>6.3</th> <th>10</th> <th>16</th> <th>25</th> <th>35</th> <th>50</th> </tr> </thead> <tbody> <tr> <td>$Z(-25^\circ C) / Z(20^\circ C)$</td> <td>6</td> <td>4</td> <td>4</td> <td>3</td> <td>2</td> <td>2</td> </tr> <tr> <td>$Z(-40^\circ C) / Z(20^\circ C)$</td> <td>12</td> <td>10</td> <td>8</td> <td>6</td> <td>4</td> <td>4</td> </tr> </tbody> </table> (120Hz)	额定电压 (V) Rated Voltage	6.3	10	16	25	35	50	$Z(-25^\circ C) / Z(20^\circ C)$	6	4	4	3	2	2	$Z(-40^\circ C) / Z(20^\circ C)$	12	10	8	6	4	4
额定电压 (V) Rated Voltage	6.3	10	16	25	35	50																
$Z(-25^\circ C) / Z(20^\circ C)$	6	4	4	3	2	2																
$Z(-40^\circ C) / Z(20^\circ C)$	12	10	8	6	4	4																

◆尺寸图 / DIMENSIONS (mm)



◆纹波电流修正系数 / MULTIPLIER FOR RIPPLE CURRENT

频率系数 Frequency coefficient

频率 (Hz) Frequency	60 (50)	120	500	1k	10k ≤
0.33 ~ 1μF	0.50	1.00	1.20	1.30	1.50
2.2 ~ 4.7μF	0.65	1.00	1.20	1.30	1.50
10 ~ 47μF	0.80	1.00	1.20	1.30	1.50

◆标准品一览表 / STANDARD SIZE

Size $\phi D \times L$ (mm), Ripple Current (mA r.m.s./85°C, 120Hz)

WV (V.DC)	Cap (μF)	Size ($\phi D \times L$)	Rated Ripple Current
6.3 (0J)	10	4 × 5	14
	22	5 × 5	25
	33	6.3 × 5	35
	47	6.3 × 5	40
10 (1A)	10	5 × 5	18
	22	6.3 × 5	30
	33	6.3 × 5	37
16 (1C)	4.7	4 × 5	12
	10	5 × 5	20
	22	6.3 × 5	32

WV (V.DC)	Cap (μF)	Size ($\phi D \times L$)	Rated Ripple Current
25 (1E)	3.3	5 × 5	10
	4.7	5 × 5	13
	10	6.3 × 5	21
	2.2	4 × 5	9
35 (1V)	3.3	5 × 5	11
	4.7	5 × 5	14
	10	6.3 × 5	24

WV (V.DC)	Cap (μF)	Size ($\phi D \times L$)	Rated Ripple Current
50 (1H)	0.33	4 × 5	2
	0.47	4 × 5	3
	1	4 × 5	5
	2.2	5 × 5	10

◆产品型号体系 / PART NUMBER

□□□	NW5	□□□□□	□	□□□	□□	D × L
额定电压 Rated Voltage	系列名称 Series	静电容量 Capacitance	静电容量允许差 Capacitance Tolerance	副记号 Option	引线加工记号 Lead Forming	铝壳尺寸 Case Size