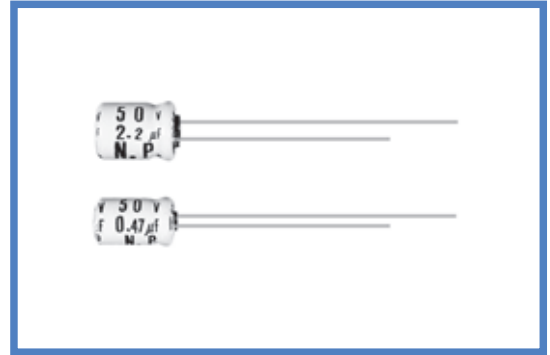


NW7 系列  
SERIES

双极性高7mm品 Bi-polar, 7mm Height

◆ 特 长 / FEATURES

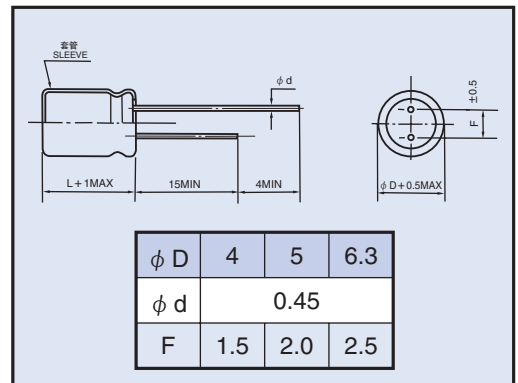
- RoHS指令对应品。  
RoHS compliance.



◆ 规格表 / SPECIFICATIONS

项目 Items	特 性 Characteristics																								
工作温度范围 Category Temperature Range	-40 ~ +85°C																								
额定电压范围 Rated Voltage Range	6.3 ~ 50V.DC																								
静电容量允许差 Capacitance Tolerance	±20% (20°C, 120Hz)																								
漏 电 流 Leakage Current (MAX)	小于 $I=0.05CV$ 和 $10\mu A$ 中的较大值 (施加额定电压5分钟后) $I=0.05CV$ or $10\mu A$ whichever is greater. (After 5 minutes application of rated voltage) $I$ = 漏电流 ( $\mu A$ ) Leakage Current $C$ = 静电容量 ( $\mu F$ ) Capacitance $V$ = 额定电压 (V) Rated Voltage																								
损失角正切值 ( $\tan \delta$ ) Dissipation Factor (MAX)	<table border="1"> <tr> <td>额定电压 (V) Rated Voltage</td> <td>6.3</td> <td>10</td> <td>16</td> <td>25</td> <td>35</td> <td>50</td> <td>(20°C, 120Hz)</td> </tr> <tr> <td><math>\tan \delta</math></td> <td>0.26</td> <td>0.22</td> <td>0.18</td> <td>0.17</td> <td>0.15</td> <td>0.14</td> <td></td> </tr> </table>	额定电压 (V) Rated Voltage	6.3	10	16	25	35	50	(20°C, 120Hz)	$\tan \delta$	0.26	0.22	0.18	0.17	0.15	0.14									
额定电压 (V) Rated Voltage	6.3	10	16	25	35	50	(20°C, 120Hz)																		
$\tan \delta$	0.26	0.22	0.18	0.17	0.15	0.14																			
耐 久 性 Endurance	<p>在85°C中, 每500小时将极性反转一次, 不超过额定电压的范围施加额定纹波电流, 连续加载1000小时后, 满足以下各项要求。 After applying rated voltage with rated ripple current for 1000hrs at 85°C, (The polarity shall be reversed every 500hrs.), the capacitors shall meet the following requirements.</p> <table border="1"> <tr> <td>静电容量变化率 Capacitance Change</td> <td>初期值的±25%以内 Within ±25% of the initial value.</td> </tr> <tr> <td>损失角正切值 Dissipation Factor</td> <td>规格值的200%以下 Not more than 200% of the specified value.</td> </tr> <tr> <td>漏 电 流 Leakage Current</td> <td>规格值以下 Not more than the specified value.</td> </tr> </table>	静电容量变化率 Capacitance Change	初期值的±25%以内 Within ±25% of the initial value.	损失角正切值 Dissipation Factor	规格值的200%以下 Not more than 200% of the specified value.	漏 电 流 Leakage Current	规格值以下 Not more than the specified value.																		
静电容量变化率 Capacitance Change	初期值的±25%以内 Within ±25% of the initial value.																								
损失角正切值 Dissipation Factor	规格值的200%以下 Not more than 200% of the specified value.																								
漏 电 流 Leakage Current	规格值以下 Not more than the specified value.																								
低 温 特 性 Low Temperature Stability (阻抗比) Impedance Ratio (MAX)	<table border="1"> <tr> <td>额定电压 (V) Rated Voltage</td> <td>6.3</td> <td>10</td> <td>16</td> <td>25</td> <td>35</td> <td>50</td> <td>(120Hz)</td> </tr> <tr> <td><math>Z(-25^\circ C)/Z(20^\circ C)</math></td> <td>4</td> <td>3</td> <td>3</td> <td>2</td> <td>2</td> <td>2</td> <td></td> </tr> <tr> <td><math>Z(-40^\circ C)/Z(20^\circ C)</math></td> <td>10</td> <td>8</td> <td>6</td> <td>4</td> <td>4</td> <td>4</td> <td></td> </tr> </table>	额定电压 (V) Rated Voltage	6.3	10	16	25	35	50	(120Hz)	$Z(-25^\circ C)/Z(20^\circ C)$	4	3	3	2	2	2		$Z(-40^\circ C)/Z(20^\circ C)$	10	8	6	4	4	4	
额定电压 (V) Rated Voltage	6.3	10	16	25	35	50	(120Hz)																		
$Z(-25^\circ C)/Z(20^\circ C)$	4	3	3	2	2	2																			
$Z(-40^\circ C)/Z(20^\circ C)$	10	8	6	4	4	4																			

◆ 尺寸图 / DIMENSIONS (mm)



◆ 纹波电流修正系数 /  
MULTIPLIER FOR RIPPLE CURRENT

频率系数 Frequency coefficient

频率 (Hz) Frequency	60 (50)	120	500	1k	10k≤
0.33 ~ 1 $\mu F$	0.50	1.00	1.20	1.30	1.50
2.2 ~ 4.7 $\mu F$	0.65	1.00	1.20	1.30	1.50
10 ~ 47 $\mu F$	0.80	1.00	1.20	1.30	1.50

◆ 标准品一览表 / STANDARD SIZE

Size  $\phi D \times L$  (mm), Ripple Current (mA r.m.s./85°C, 120Hz)

WV (V.DC)	Cap ( $\mu F$ )	Size ( $\phi D \times L$ )	Rated Ripple Current
6.3 (0J)	22	5 × 7	32
	33	5 × 7	40
	47	6.3 × 7	56
10 (1A)	10	4 × 7	23
	22	5 × 7	35
	33	6.3 × 7	45
47	6.3 × 7	65	

WV (V.DC)	Cap ( $\mu F$ )	Size ( $\phi D \times L$ )	Rated Ripple Current
16 (1C)	4.7	4 × 7	18
	10	4 × 7	25
	22	6.3 × 7	45
	33	6.3 × 7	60
	47	6.3 × 7	65
25 (1E)	3.3	4 × 7	15
	4.7	4 × 7	18
	10	6.3 × 7	35
	22	6.3 × 7	50

WV (V.DC)	Cap ( $\mu F$ )	Size ( $\phi D \times L$ )	Rated Ripple Current
35 (1V)	2.2	4 × 7	13
	3.3	5 × 7	19
	4.7	5 × 7	22
	10	6.3 × 7	37
50 (1H)	0.33	4 × 7	3
	0.47	4 × 7	5
	1	4 × 7	10
	2.2	5 × 7	15
	3.3	5 × 7	19
4.7	6.3 × 7	26	

◆ 产品型号体系 / PART NUMBER

□□□	NW7	□□□□□	□	□□□	□□	D × L
额定电压 Rated Voltage	系列名称 Series	静电容量 Capacitance	静电容量允许差 Capacitance Tolerance	副记号 Option	引线加工记号 Lead Forming	铝壳尺寸 Case Size