

## YXM 系列 SERIES

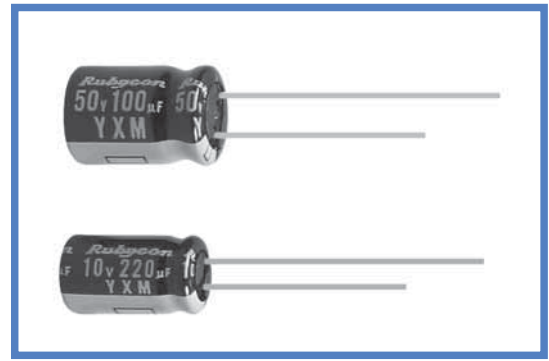
105°C、10000小时品 小型化品  
Load Life : 105°C 10000 hours, Miniaturized.

### ◆特 长 / FEATURES

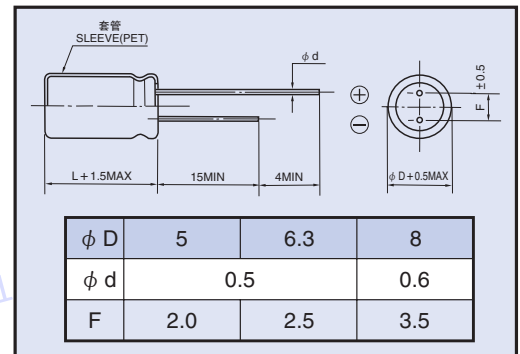
- 小型、长寿命品。  
Miniaturized Long Life.
- RoHS指令对应品。  
RoHS compliance.

### ◆规格表 / SPECIFICATIONS

| 项 目 Items   | 特 性 Characteristics  |                               |   |                              |  |                          |   |    |     |                                  |      |      |      |      |      |      |      |
|---|--|-------------------------------|---|------------------------------|--|--------------------------|---|----|-----|----------------------------------|------|------|------|------|------|------|------|
| 工作温度范围<br>Category Temperature Range                                    | - 25 ~ + 105°C   |                               |   |                              |  |                          |   |    |     |                                  |      |      |      |      |      |      |      |
| 额定电压范围<br>Rated Voltage Range   | 10 ~ 100V.DC   |                               |   |                              |  |                          |   |    |     |                                  |      |      |      |      |      |      |      |
| 静电容量允许差<br>Capacitance Tolerance  | ± 20% (20°C, 120Hz)  |                               |   |                              |  |                          |   |    |     |                                  |      |      |      |      |      |      |      |
| 漏 电 流<br>Leakage Current(MAX)   | 小于 $I=0.01CV$ 和 $3\mu A$ 中的较大值 (施加额定电压2分钟后)<br>$I=0.01CV$ or $3\mu A$ whichever is greater. (After 2 minutes application of rated voltage)<br>$I$ =漏电流 ( $\mu A$ ) $C$ =静电容量( $\mu F$ ) $V$ =额定电压(V)<br>Leakage Current                      Capacitance                      Rated Voltage  |                               |   |                              |  |                          |   |    |     |                                  |      |      |      |      |      |      |      |
| 损失角正切值<br>( $\tan \delta$ )<br>Dissipation Factor(MAX)                  | <table border="1"> <thead> <tr> <th>额定电压 (V)<br/>Rated Voltage</th> <th>10</th> <th>16</th> <th>25</th> <th>35</th> <th>50</th> <th>63</th> <th>100</th> </tr> </thead> <tbody> <tr> <td><math>\tan \delta</math></td> <td>0.45</td> <td>0.35</td> <td>0.30</td> <td>0.22</td> <td>0.19</td> <td>0.17</td> <td>0.15</td> </tr> </tbody> </table> (20°C, 120Hz)   | 额定电压 (V)<br>Rated Voltage     | 10  | 16                           | 25   | 35                       | 50  | 63 | 100 | $\tan \delta$                    | 0.45 | 0.35 | 0.30 | 0.22 | 0.19 | 0.17 | 0.15 |
| 额定电压 (V)<br>Rated Voltage   | 10   | 16                            | 25  | 35                           | 50   | 63                       | 100   |    |     |                                  |      |      |      |      |      |      |      |
| $\tan \delta$   | 0.45   | 0.35                          | 0.30  | 0.22                         | 0.19   | 0.17                     | 0.15  |    |     |                                  |      |      |      |      |      |      |      |
| 耐 久 性<br>Endurance  | 在105°C环境中, 不超过额定电压的范围内叠加额定纹波电流, 连续加载10000小时后, 满足以下各项要求。<br>After applying rated voltage with rated ripple current for 10000 hours at 105°C, the capacitors shall meet the following requirements. <table border="1"> <tbody> <tr> <td>静电容量变化率<br/>Capacitance Change</td> <td>初期值的±25%以内<br/>Within ±25% of the initial value.</td> </tr> <tr> <td>损失角正切值<br/>Dissipation Factor</td> <td>规格值的300%以下<br/>Not more than 300% of the specified value.</td> </tr> <tr> <td>漏 电 流<br/>Leakage Current</td> <td>规格值以下<br/>Not more than the specified value.</td> </tr> </tbody> </table> | 静电容量变化率<br>Capacitance Change | 初期值的±25%以内<br>Within ±25% of the initial value. | 损失角正切值<br>Dissipation Factor | 规格值的300%以下<br>Not more than 300% of the specified value. | 漏 电 流<br>Leakage Current | 规格值以下<br>Not more than the specified value. |    |     |                                  |      |      |      |      |      |      |      |
| 静电容量变化率<br>Capacitance Change   | 初期值的±25%以内<br>Within ±25% of the initial value.  |                               |   |                              |  |                          |   |    |     |                                  |      |      |      |      |      |      |      |
| 损失角正切值<br>Dissipation Factor  | 规格值的300%以下<br>Not more than 300% of the specified value.   |                               |   |                              |  |                          |   |    |     |                                  |      |      |      |      |      |      |      |
| 漏 电 流<br>Leakage Current  | 规格值以下<br>Not more than the specified value.  |                               |   |                              |  |                          |   |    |     |                                  |      |      |      |      |      |      |      |
| 低 温 特 性<br>Low Temperature Stability<br>(阻 抗 比)<br>Impedance Ratio(MAX) | <table border="1"> <thead> <tr> <th>额定电压 (V)<br/>Rated Voltage</th> <th>10</th> <th>16</th> <th>25</th> <th>35</th> <th>50</th> <th>63</th> <th>100</th> </tr> </thead> <tbody> <tr> <td><math>Z(-25^\circ C) / Z(20^\circ C)</math></td> <td>8</td> <td>6</td> <td>4</td> <td>4</td> <td>3</td> <td>3</td> <td>3</td> </tr> </tbody> </table> (120Hz)   | 额定电压 (V)<br>Rated Voltage     | 10  | 16                           | 25   | 35                       | 50  | 63 | 100 | $Z(-25^\circ C) / Z(20^\circ C)$ | 8    | 6    | 4    | 4    | 3    | 3    | 3    |
| 额定电压 (V)<br>Rated Voltage   | 10   | 16                            | 25  | 35                           | 50   | 63                       | 100   |    |     |                                  |      |      |      |      |      |      |      |
| $Z(-25^\circ C) / Z(20^\circ C)$  | 8  | 6                             | 4   | 4                            | 3  | 3                        | 3   |    |     |                                  |      |      |      |      |      |      |      |



### ◆尺寸图 / DIMENSIONS (mm)



### ◆纹波电流修正系数 / MULTIPLIER FOR RIPPLE CURRENT

频率系数 Frequency Coefficient

| 频率 (Hz)<br>Frequency | 120      | 1k   | 10k  | 100k≤ |      |
|----------------------|----------|------|------|-------|------|
| 系数<br>Coefficient    | 1~10µF   | 0.42 | 0.60 | 0.80  | 1.00 |
|                      | 22~33µF  | 0.55 | 0.75 | 0.90  | 1.00 |
|                      | 47~330µF | 0.70 | 0.85 | 0.95  | 1.00 |

### ◆标准品一览表 / STANDARD SIZE

Size  $\phi D \times L$  (mm), Ripple Current (mA r.m.s./105°C, 100Hz)

| WV (V.DC) | Cap (µF) | Size     | Rated Ripple Current |
|-----------|----------|----------|----------------------|
| 10 (1A)   | 100      | 5 × 11   | 130                  |
|           | 220      | 6.3 × 11 | 210                  |
|           | 330      | 8 × 11.5 | 330                  |
| 16 (1C)   | 47       | 5 × 11   | 130                  |
|           | 100      | 6.3 × 11 | 210                  |
| 25 (1E)   | 220      | 8 × 11.5 | 330                  |
|           | 33       | 5 × 11   | 130                  |
|           | 47       | 5 × 11   | 130                  |
|           | 100      | 6.3 × 11 | 210                  |

| WV (V.DC) | Cap (µF) | Size     | Rated Ripple Current |
|-----------|----------|----------|----------------------|
| 35 (1V)   | 33       | 5 × 11   | 130                  |
|           | 47       | 6.3 × 11 | 210                  |
|           | 100      | 8 × 11.5 | 330                  |
|           | 1        | 5 × 11   | 25                   |
| 50 (1H)   | 2.2      | 5 × 11   | 35                   |
|           | 3.3      | 5 × 11   | 70                   |
|           | 4.7      | 5 × 11   | 80                   |
|           | 10       | 5 × 11   | 90                   |
|           | 22       | 5 × 11   | 110                  |
|           | 33       | 6.3 × 11 | 190                  |
|           | 47       | 6.3 × 11 | 190                  |
|           | 100      | 8 × 11.5 | 270                  |

| WV (V.DC) | Cap (µF) | Size     | Rated Ripple Current |
|-----------|----------|----------|----------------------|
| 63 (1J)   | 10       | 5 × 11   | 80                   |
|           | 22       | 6.3 × 11 | 170                  |
|           | 33       | 6.3 × 11 | 170                  |
|           | 47       | 8 × 11.5 | 240                  |
|           | 1        | 5 × 11   | 40                   |
| 100 (2A)  | 2.2      | 5 × 11   | 50                   |
|           | 3.3      | 5 × 11   | 60                   |
|           | 4.7      | 5 × 11   | 70                   |
|           | 10       | 6.3 × 11 | 150                  |
|           | 22       | 8 × 11.5 | 230                  |

### ◆副记号 / OPTION

| 副记号 Code         | 记号 Code |
|------------------|---------|
| PET套管 PET Sleeve | EFC     |

### ◆产品型号体系 / PART NUMBER

| 额定电压<br>Rated Voltage | 系列名称<br>Series | 静电容量<br>Capacitance | 静电容量允许差<br>Capacitance Tolerance | 副记号<br>Option | 引线加工记号<br>Lead Forming | 铝壳尺寸<br>Case Size |
|-----------------------|----------------|---------------------|----------------------------------|---------------|------------------------|-------------------|
| □□□                   | YXM            | □□□□□               | M                                | □□□           | □□                     | D × L             |