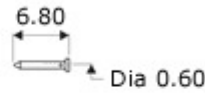
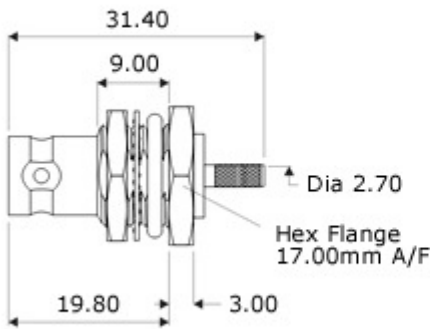


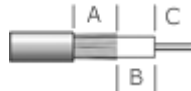
Part Number: BN02-3162-C06WP



Details and Specifications

Description	BNC Waterproof Crimp Bulkhead Jack, IP68
To Fit Cable Types	RD316
Body	Brass, Nickel plated
Contact	Brass, Gold plated
Dielectric	PTFE
Ferrule	Brass, Nickel plated
Locknut	Brass, Nickel plated - 16mm A/F
O Ring	Silicon Rubber
Pin	Brass, Gold plated
Washer	Phosphor Bronze, Nickel plated - 15.9mm dia.
Cable Retention	Equal to breaking strain of cable
Dielectric Withstanding	1500 Volts RMS Maximum
Durability	500 mating cycles
Impedance	50 ohms
Max. Frequency	4 GHz
Temperature Range	-65 to +165 degrees C
Working Voltage	500 Volts RMS Maximum
Maximum Panel Thickness	6mm

Assembly Information

Strip Dimensions	A=7.5mm, B=5.0mm, C=2.5mm
Cable Preparation	
Crimp Tooling	GCT-D316
Crimp Hex. Sizes	3.83mm Hex., 0.72mm Square

Panel Fixing Information

Cut-out Dimensions	A=12.00mm, B=12.90mm
--------------------	----------------------

Panel Cut-out

