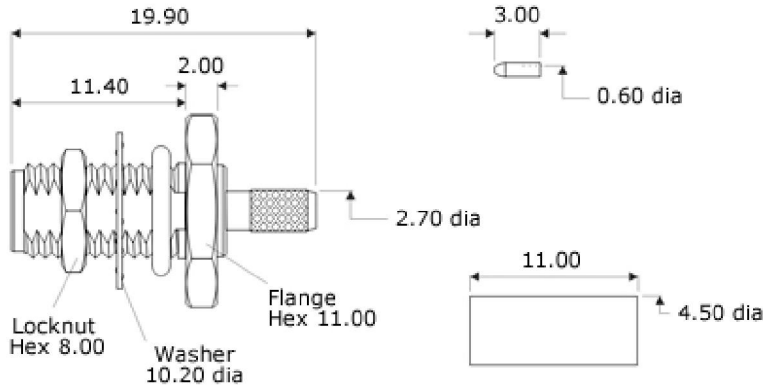


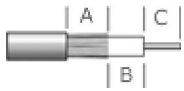
Part Number: MA02-3162-C01WP



Details and Specifications

Description	SMA Waterproof Crimp Bulkhead Jack, IP68
To Fit Cable Types	RD316
Body	Brass, Gold Plated
Contact	Beryllium Copper, Gold Plated
Dielectric	PTFE
Ferrule	Brass, Gold Plated
Locknut	Brass, Gold Plated
O Ring	Nitrile Rubber (NBR)
Pin	Brass, Gold Plated
Washer	Brass, Gold Plated
Cable Retention	Equal to breaking strain of cable
Dielectric Withstanding	750 Volts RMS Maximum
Durability	500 mating cycles
Impedance	50 ohms
Max. Frequency	6 GHz
Temperature Range	-55 to +125 degrees C
Working Voltage	335 Volts RMS Maximum
Maximum Panel Thickness	2.50 mm

Assembly Information

Strip Dimensions	A=6.0mm, B=3.0mm, C=2.0mm
Cable Preparation	
Crimp Tooling	GCT-D316
Crimp Hex. Sizes	3.83mm Hex., 0.72mm Square

Panel Fixing Information

Cut-out Dimensions	A=6.10mm, B=6.50mm
--------------------	--------------------

Panel Cut-out

