

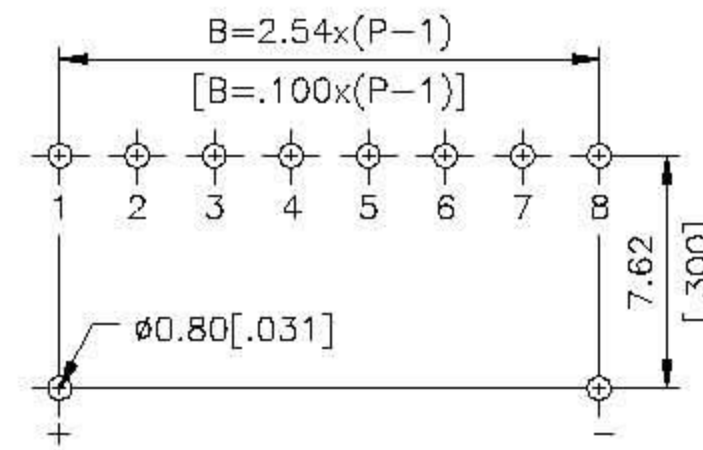
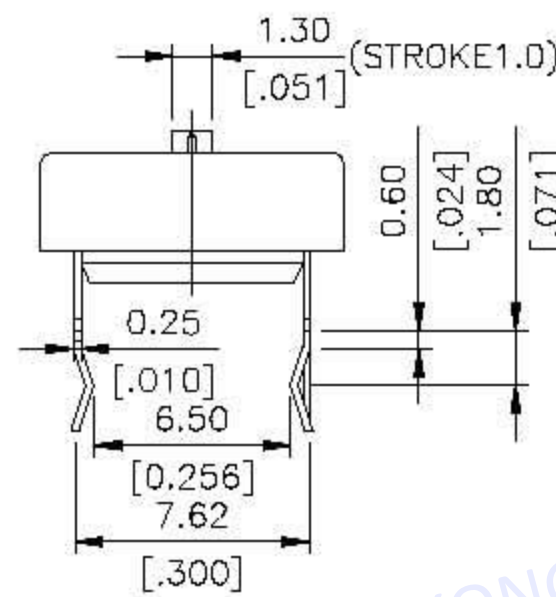
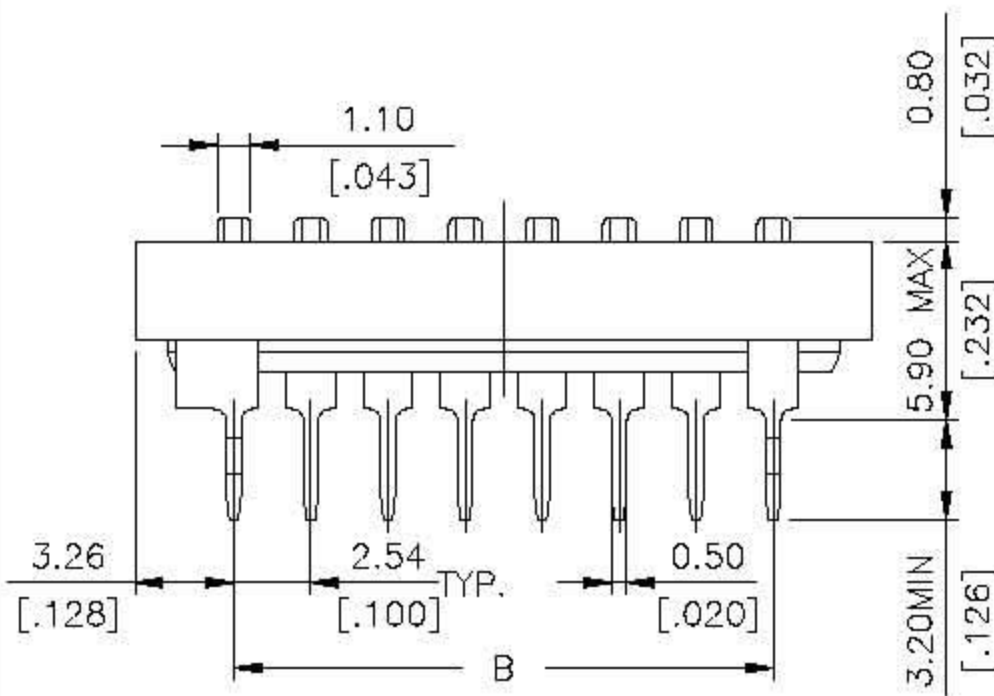
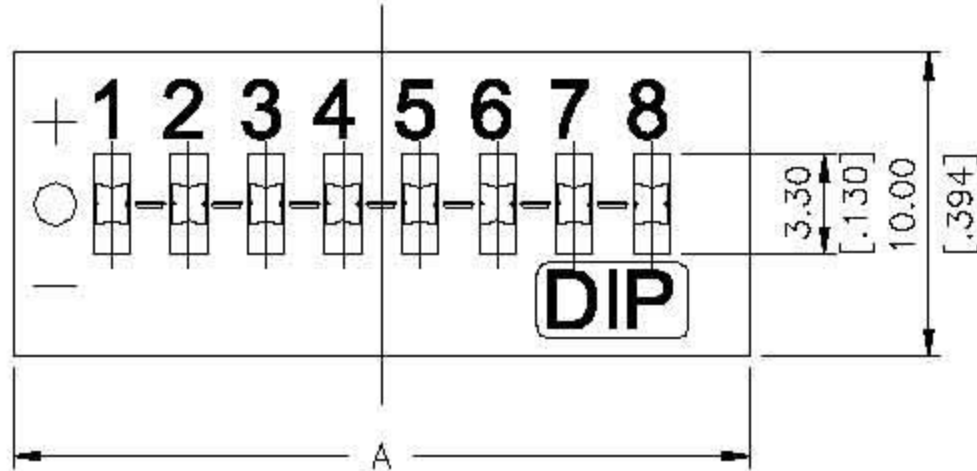
TDS SERIES



DIMENSIONS

TDS

TDS-10	10	29.38[1.157]	22.86[.900]
TDS-09	9	26.84[1.057]	20.32[.800]
TDS-08	8	24.30[.957]	17.78[.700]
TDS-04	4	14.14[.557]	7.62[.300]
PROD. NO.	NO. OF POS.	DIM. A	DIM. B



**General Tolerance : ± 0.2 mm

HOW TO ORDER

TDS - □ - □ - □ - □

Package Style :

□ = Tube

Soldering :

V =RoHS & Lead Free Solderable

Number Of Positions:

08 = 8 Positions

09 = 9 Positions

10 = 10 Positions

Tri-State Type

RIVERSUN(HONG KONG)LIMITED
 +86-755-26055892/93/51
 service@riversunhk.com

