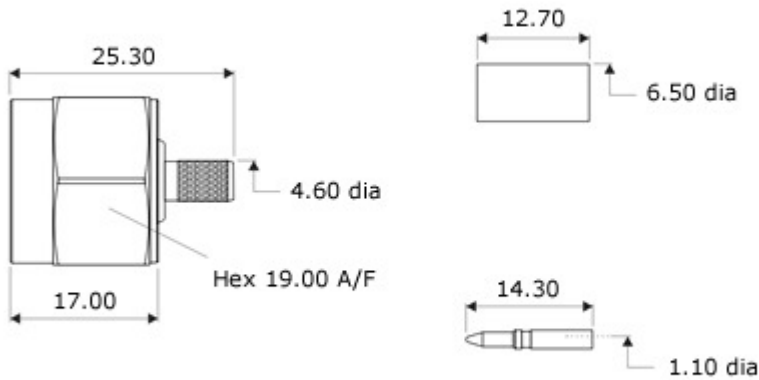


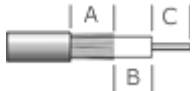
Part Number: NT15-0058-C49-2



Details and Specifications

Description	N Type Crimp Plug, Hex Nut, Tri-Alloy Plated
To Fit Cable Types	RG58, LBC195, LBC195 ExtraFlex
Body	Brass, Tri-Alloy Plated
Coupling Nut	Brass, Tri-Alloy Plated
Dielectric	PTFE
Ferrule	Brass, Tr-Alloy Plated
Pin	Brass, Gold Plated
Cable Retention	Equal to breaking strain of cable
Dielectric Withstanding	2500 Volts RMS Maximum
Durability	500 mating cycles Minimum
Impedance	50 ohms
Max. Frequency	11 GHz
Temperature Range	-65 to +165 degrees C
Working Voltage	1500 Volts RMS Maximum

Assembly Information

Strip Dimensions	A=7.5mm, B=3.5mm, C=3.5mm
Cable Preparation	
Crimp Tooling	GCT-0058 DCC1113
Crimp Hex. Sizes	5.41mm Hex., 1.69mm Hex.