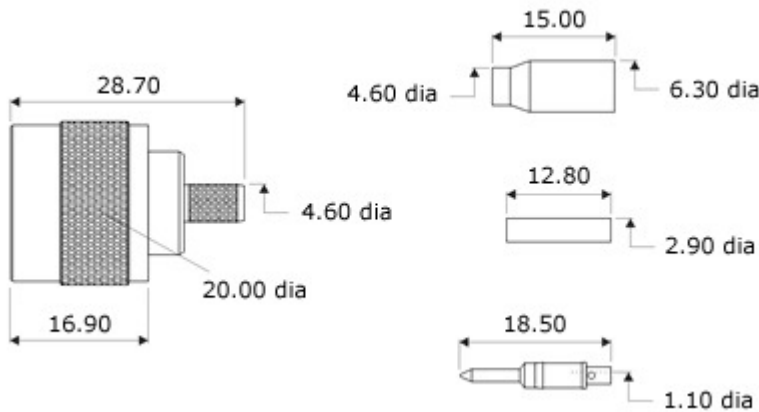


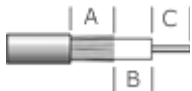
**Part Number: NT15-0174-C06-1**



**Details and Specifications**

Description	N Type Crimp Plug
To Fit Cable Types	LBC100, LBC100 LSZH, LMR100, RG174, RG188, RG316
Body	Brass, Nickel Plated
Coupling Nut	Brass, Nickel Plated
Dielectric	PTFE
Ferrule	Brass, Nickel Plated
Pin	Brass, Gold Plated
Cable Retention	Equal to breaking strain of cable
Dielectric Withstanding	2500 Volts RMS Maximum
Durability	500 mating cycles
Impedance	50 ohms
Max. Frequency	3 GHz
Temperature Range	-65 to +165 degrees C
Working Voltage	1500 Volts RMS Maximum

**Assembly Information**

Strip Dimensions	A=12mm, B=1mm, C=3mm
Cable Preparation	
Crimp Tooling	GCT-0058
Crimp Hex. Sizes	5.41mm Hex., Solder centre core