



Feature -

- 5 direction navigation cap
- panel mount and PCB module installation
- LED illumination

Application -

- consumer products
- computer products
- Instrumentation
- communication equipments
- home appliances

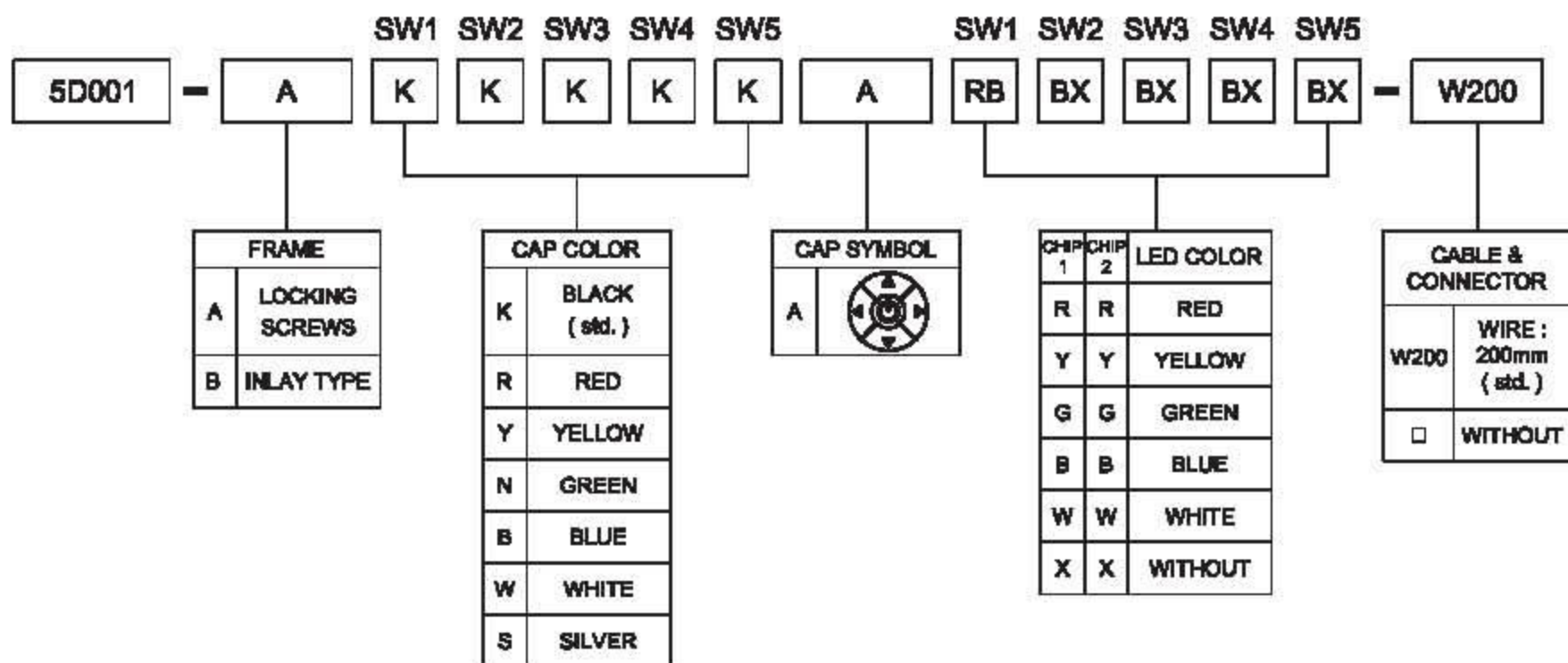
► **SPECIFICATIONS**

SWITCH SPECIFICATIONS	
POLE - POSITION	Momentary action , SPST
CONTACT RATING	12 V DC , 50 mA
CONTACT RESISTANCE	100 mΩ MAX. 5 V DC ; 1 A , by Method of Voltage DROP
INSULATION RESISTANCE	1000 MΩ MIN. 100 V DC for 1 minute
DIELECTRIC STRENGTH	Breakdown is not Allowable ; 250 V AC for 1 Minute
OPERATING FORCE	200 ± 80 gf ; 450 ± 150 gf
OPERATING LIFE	500,000 cycles
OPERATING TEMPERATURE RANGE	-20°C ~ 70°C
TOTAL TRAVEL	0.45 ± 0.15 mm

LED SPECIFICATIONS						
	Unit	Value / LED Color				
		Blue	Green	Red	Yellow	
FORWARD CURRENT	I _f	mA	20	20	20	20
REVERSE VOLTAGE	V _r	V	5.0	5.0	5.0	5.0
REVERSE CURRENT	I _r	μA	10	10	10	10
FORWARD VOLTAGE@20mA	V _f	V	3.5-3.8	2.0-2.5	2.0-2.5	2.0-2.5
LUMINOUS INTENSITY@20mA	I _v	mcd	45	20	80	80

■ Physical and electrical information of LED will be provided upon customer's request on switches .

► **HOW TO ORDER**



5D001 SERIES

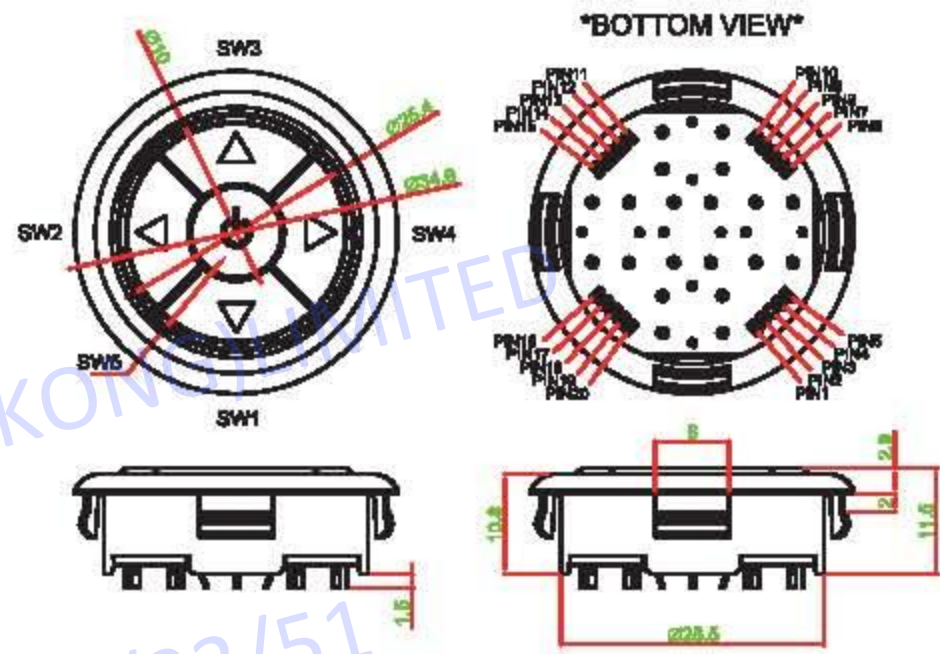
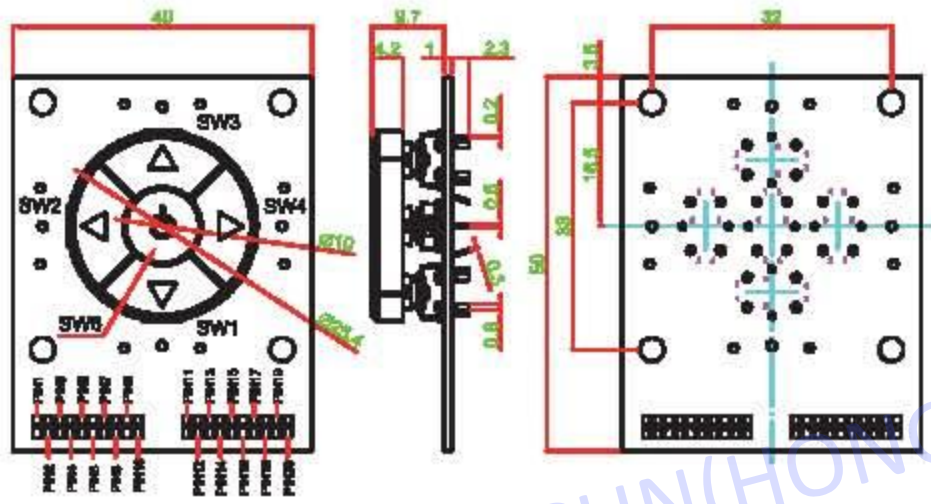
LED 5 DIRECTION NAVIGATION CAP SWITCH

▶ FRAME TYPE OPTION

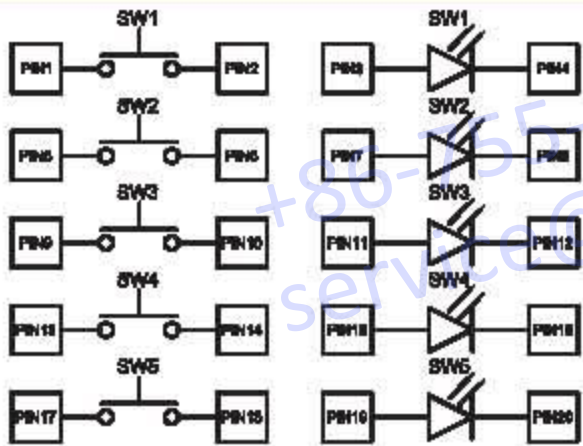
5D001-AK44444KARXRXRXR



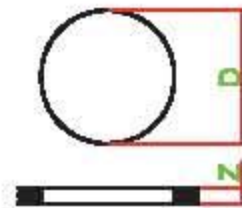
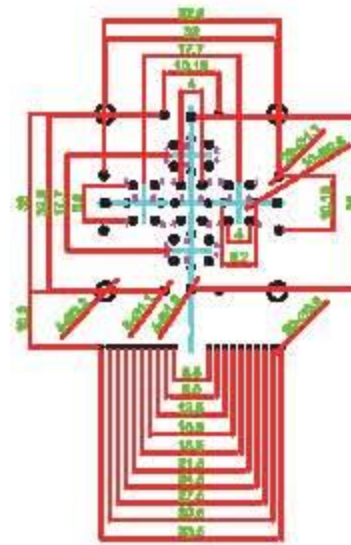
5D001-BK44444KARXRXRXR



▶ CIRCUIT



▶ P.C.B LAYOUT & PANEL CUT OUT



Z	D
1.0 - 2.0	33.1~33.3
2.0 - 2.5	33.3~33.7
2.5 - 3.0	33.7~34.0

▶ MATERIAL

- ACTUATOR - LCP
- TERMINAL - BRASS SILVER PLATING
- BASE - LCP
- SPRING PLATE - PHOSPHOR BRONZE SILVER PLATING
- HOUSING - PA
- PCB - FR4