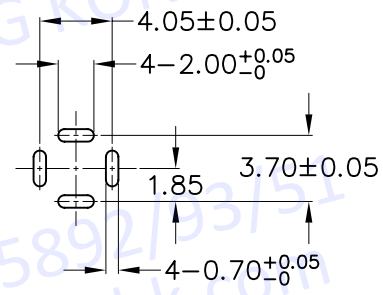
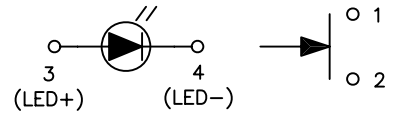


PANEL MOUNTING



PCB MOUNTING



SWITCH FUNCTION

**Specifications**

Pole-position : Momentary Type, SPST with LED  
 Contact rating : 30V DC, 0.1A  
 Contact resistance : 50 mΩ max. 1.5V DC ; 100mA, by Method of Voltage DROP  
 Insulation resistance : 100 MΩ min. 500V DC  
 Dielectric strength : 500V AC for 1 Minute  
 Operating force 250±100gf  
 Operating life : 50,000 cycles  
 Operating temperature range : -40°C ~ 85°C  
 Total travel : 1.2±0.3mm

**Materials**

Cap : PC  
 Case & Housing : Nylon 6/6  
 Terminals : Copper alloy with gold plated.

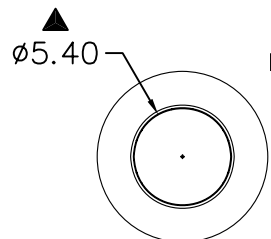
**WITH LED ELECTRO-OPTICAL DATA :**

Color	Electro-optical Data (AT 20mA)				Viewing Angle 2θ 1/2 (deg)
	V <sub>f</sub> (V)		I <sub>v</sub> (mcd)		
	Typ.	Max.	Min.	Typ.	
Super Red	1.95	2.50	700	1300	45°

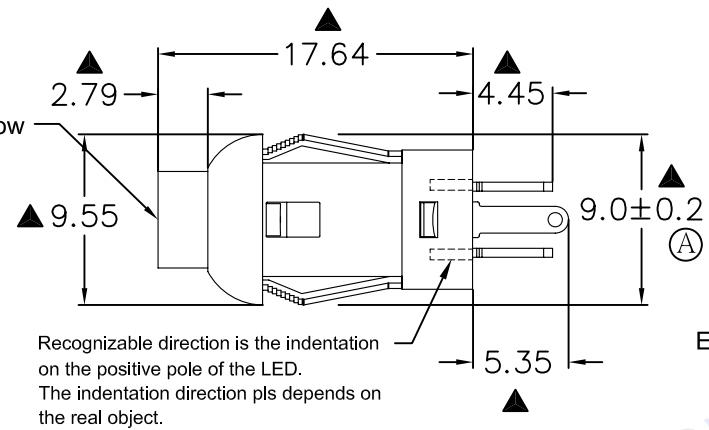
△				
△				
△				
△				
ZONE	REV.	DESCRIPTION	DATE	APPD.
1				

TOLERANCE (公差) :  
 0.00 mm ± 0.25mm  
 0.0 mm ± 0.40mm  
 ANGULAR : ± 5°

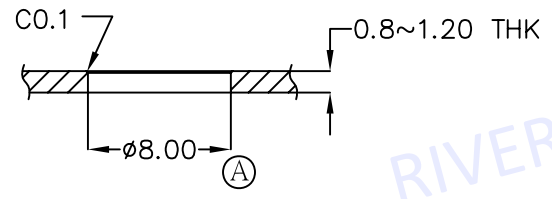
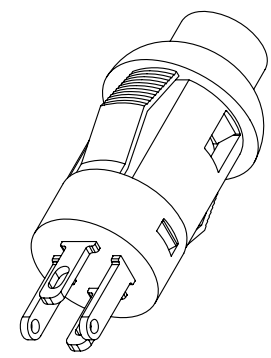
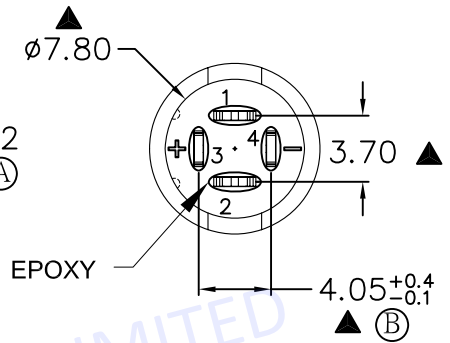
APPD:	Q'TY:	圓達實業股份有限公司		PART NAME:
CHKD:	SCALE:	DIPTRONICS MANUFACTURING INC.		Pushbutton Switches
DR:	REV:	UNITS:	PART NO:	DWC NO:
DESIGN:			ZPBL-03	RD-PB-553
			MAT'L:	
			FINISH:	



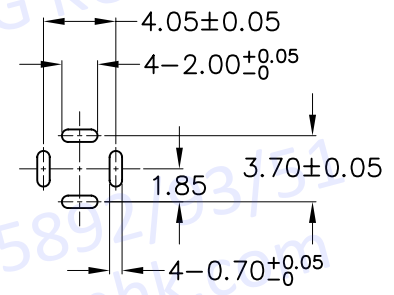
LED Color: Yellow



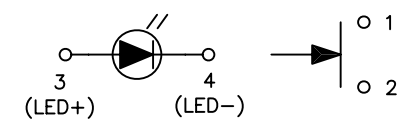
Recognizable direction is the indentation on the positive pole of the LED.  
The indentation direction pls depends on the real object.



PANEL MOUNTING



PCB MOUNTING



SWITCH FUNCTION

**Specifications**

- Pole-position : Momentary Type, SPST with LED
- Contact rating : 30V DC, 0.1A
- Contact resistance : 50 mΩ max. 1.5V DC ; 100mA, by Method of Voltage DROP
- Insulation resistance : 100 MΩ min. 500V DC
- Dielectric strength : 500V AC for 1 Minute
- Operating force 250±100gf
- Operating life : 50,000 cycles
- Operating temperature range : -40°C ~ 85°C
- Total travel : 1.2±0.3mm

**Materials**

- Cap : PC
- Case & Housing : Nylon 6/6
- Terminals : Copper alloy with gold plated.

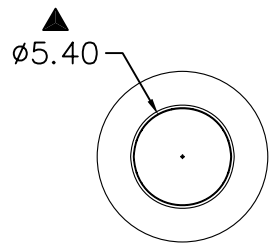
**WITH LED ELECTRO-OPTICAL DATA :**

Color	Electro-optical Data (AT 20mA)				Viewing Angle 2θ 1/2 (deg)
	Vf(V)		Iv(mcd)		
	Typ.	Max.	Min.	Typ.	
Yellow	2.10	2.50	12	25	45°

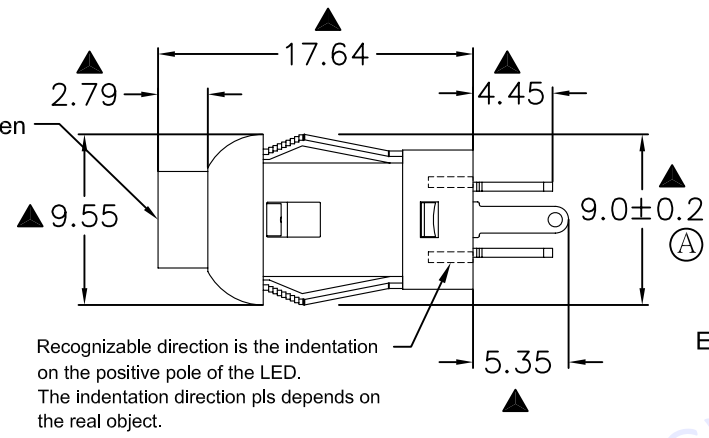
△				
△				
△				
△				
ZONE	REV.	DESCRIPTION	DATE	APPD.

TOLERANCE (公差) :  
0.00 mm ± 0.25mm  
0.0 mm ± 0.40mm  
ANGULAR : ± 5°

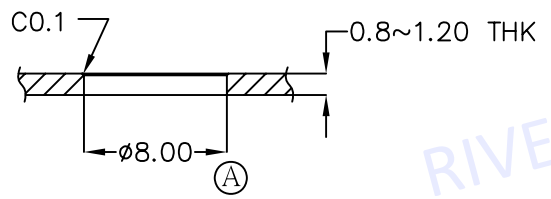
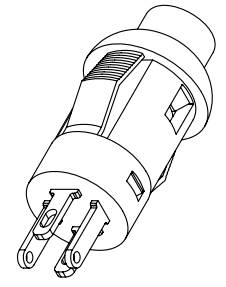
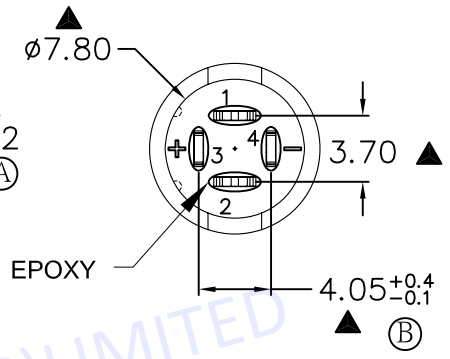
APPD:	Q'TY:	園達實業股份有限公司 DIPTRONICS MANUFACTURING INC.		PART NAME:	
CHKD:	SCALE:			Pushbutton Switches	
DR:	REV:	UNITS:	PART NO:	MAT'L:	DWC NO:
DESIGN:			ZPBL-05	FINISH:	RD-PB-554



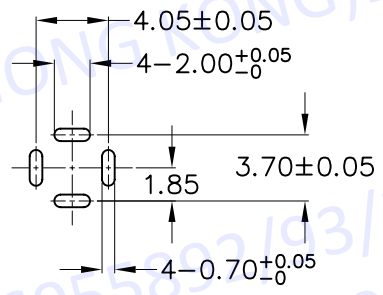
LED Color: Green



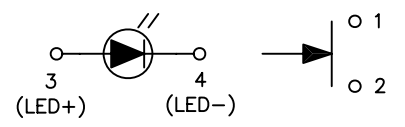
Recognizable direction is the indentation on the positive pole of the LED.  
The indentation direction pls depends on the real object.



PANEL MOUNTING



PCB MOUNTING



SWITCH FUNCTION

**Specifications**

- Pole-position : Momentary Type, SPST with LED
- Contact rating : 30V DC, 0.1A
- Contact resistance : 50 mΩ max. 1.5V DC ; 100mA, by Method of Voltage DROP
- Insulation resistance : 100 MΩ min. 500V DC
- Dielectric strength : 500V AC for 1 Minute
- Operating force 250±100gf
- Operating life : 50,000 cycles
- Operating temperature range : -40°C ~ 85°C
- Total travel : 1.2±0.3mm

**Materials**

- Cap : PC
- Case & Housing : Nylon 6/6
- Terminals : Copper alloy with gold plated.

**WITH LED ELECTRO-OPTICAL DATA :**

Color	Electro-optical Data (AT 20mA)				Viewing Angle 2θ 1/2 (deg)
	Vf(V)		Iv(mcd)		
	Typ.	Max.	Min.	Typ.	
Super Green	2.10	2.50	100	300	45°

TOLERANCE (公差) :  
0.00 mm ± 0.25mm  
0.0 mm ± 0.40mm  
ANGULAR : ± 5°

ZONE	REV.	DESCRIPTION	DATE	APPD.

APPD:	Q'TY:	園達實業股份有限公司 DIPTRONICS MANUFACTURING INC.		PART NAME:
CHKD:	SCALE:			Pushbutton Switches
DR:	REV:	UNITS:	PART NO:	MAT'L:
DESIGN:			ZPBL-06	FINISH:
				DWC NO:
				RD-PB-555