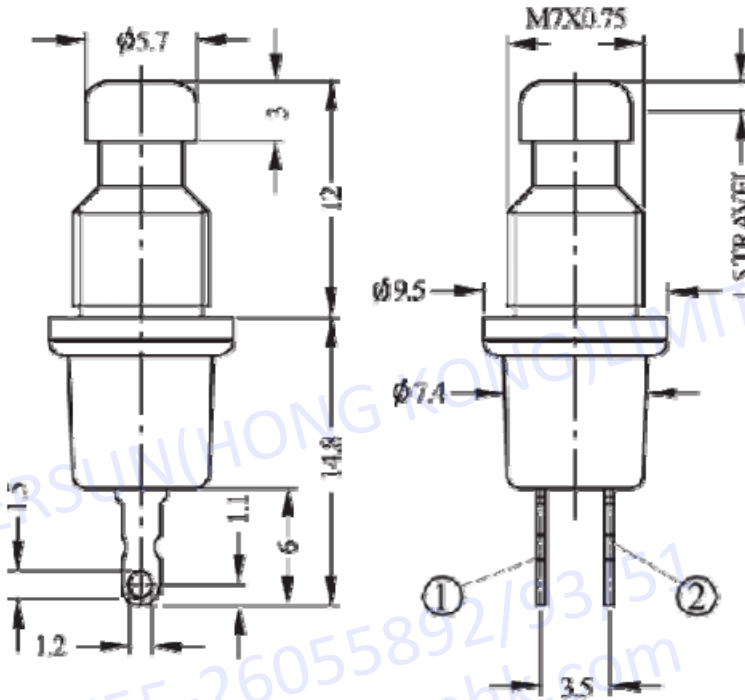
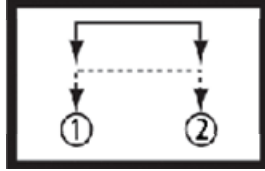


PB-11C01 (Press on / un-threaded)

PB-11C02 (Press on / threaded)

CIRCUIT DIAGRAM



RATING: DC 50V 0.3A

垂直推动开关主要技术特性

The Main Technical Characteristics of Vertical Push Switch

额定负荷	DC 50V 0.3A	操作温度	-16℃ to 60℃
Rated Load		Operating Temperature	
接触电阻	< 30 mΩ	寿命	100,000 次
contact Resistance		Life Test	
绝缘电阻	> 100 MΩ	作用力	200gf ± 100gf
Insulation Resistance		Operating Force	
耐电压	500V 0.5mA/min		
Dielectric Strength			