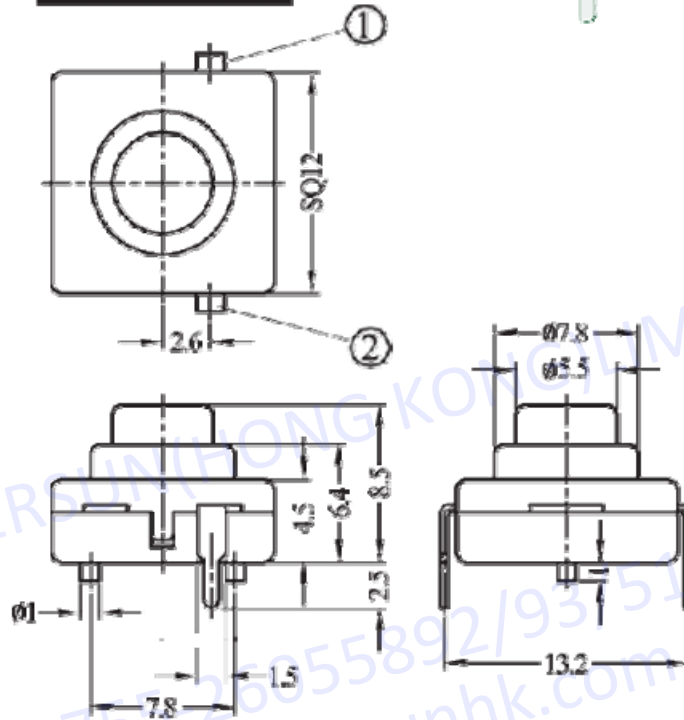
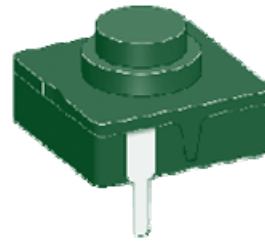
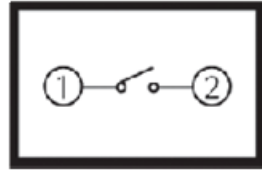


# PB-11D01

## CIRCUIT DIAGRAM



**RATING: DC 30V 1A**

### 垂直推动开关主要技术特性

#### The Main Technical Characteristics of Vertical Push Switch

额定负荷	DC 30V 1A	操作温度	-16°C to 60°C
Rated Load		Operating Temperature	
接触电阻	< 1000 mΩ	寿命	50,000 次
contact Resistance		Life Test	
绝缘电阻	> 100 MΩ	作用力	750gf ± 300gf
Insulation Resistance		Operating Force	
耐电压	500V 0.5mA/min		
Dielectric Strength			