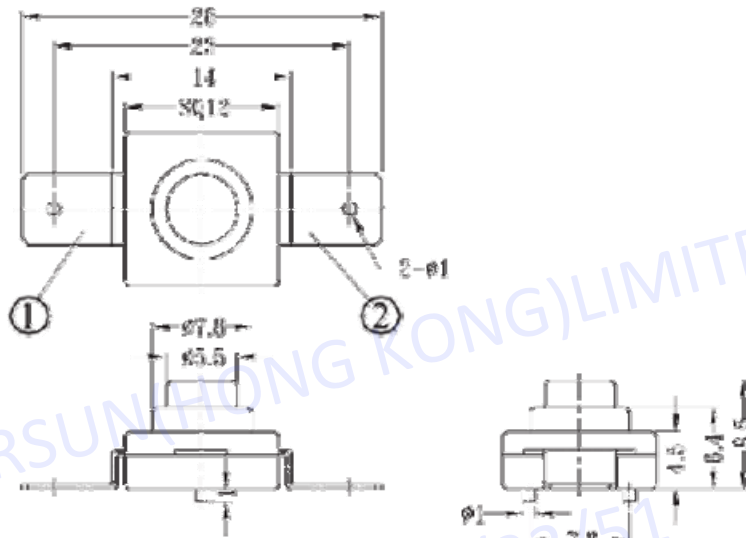
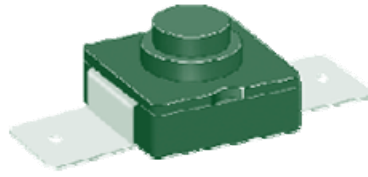
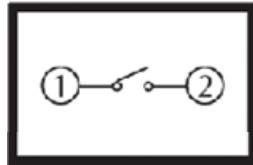


PB-11D16

CIRCUIT DIAGRAM



RATING: DC 30V 1A

垂直推动开关主要技术特性

The Main Technical Characteristics of Vertical Push Switch

| | | | |
|-----------------------|----------------|-----------------------|---------------|
| 额定负荷 | DC 30V 1A | 操作温度 | -16℃ to 60℃ |
| Rated Load | | Operating Temperature | |
| 接触电阻 | < 1000 mΩ | 寿命 | 50,000 次 |
| contact Resistance | | Life Test | |
| 绝缘电阻 | > 100 MΩ | 作用力 | 750gf ± 300gf |
| Insulation Resistance | | Operating Force | |
| 耐电压 | 500V 0.5mA/min | | |
| Dielectric Strength | | | |