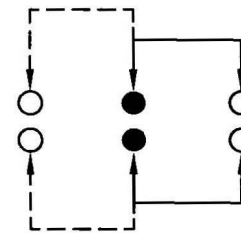
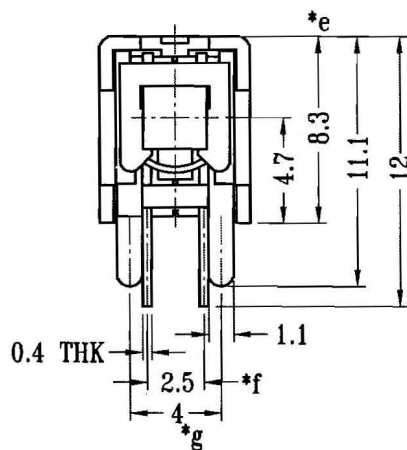
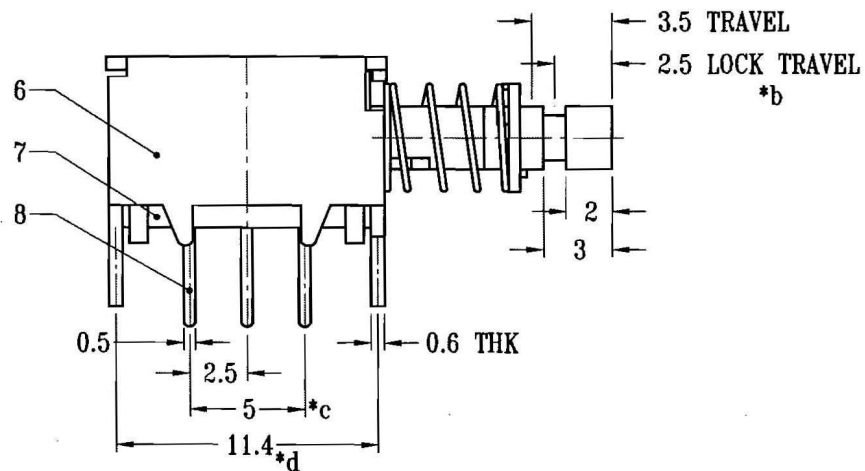
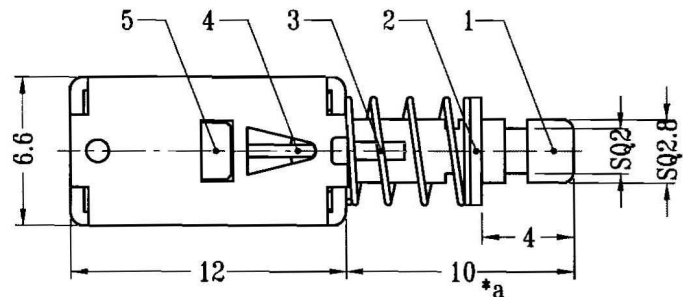
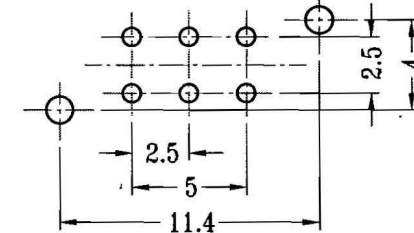




CAD FILE:



SCHEMATIC (NON-SHORTING)



P.C.B LAYOUT

注：“*”表示关键尺寸(7个)

9	CONTACT CLIP	PBS C5210R-EH	2	Ag CLAD
8	TERMINAL	BRASS STRIP	6	Ag PLATED OVER Ni PLATED
7	BASE	PHENOLIC RESIN	1	NATURAL
6	FRAME	STEEL STRIP	1	Ni PLATED
5	SPRING PLATE	PBS STRIP	1	NATURAL
4	CAM STICK	PBS WIRE	1	NATURAL
3	SPRING	SUS	1	NATURAL
2	BLOCK	STEEL STRIP	1	Ni PLATED
1	KNOB	POM	1	YELLOW
NO.	PARTS	MATERIALS	Q'TY	FINISH

TOLERANCE				
UNLESS SPECIFIED				
WITHIN 1.5mm	: ±0.1mm	A	16-Jul-2007	初版
OVER 1.5mm	: ±0.2mm	ISSUE	DATE	DESCRIPTIONS OF REVISION
TITLE : PUSH SWITCH		UNIT : mm	DRWG NO.:	
MODEL: PS-22E05		SCALE: 3:1	DWN.	
			CHK'D	
			APPD.	