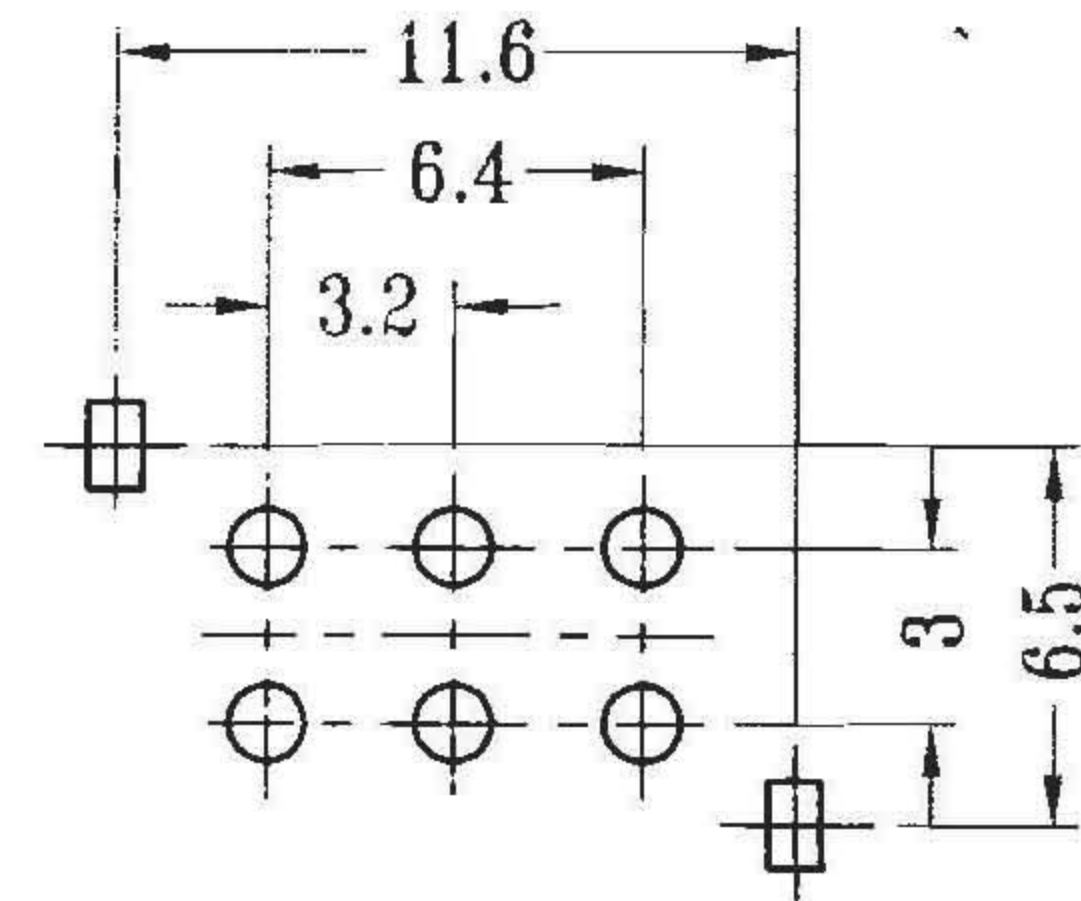
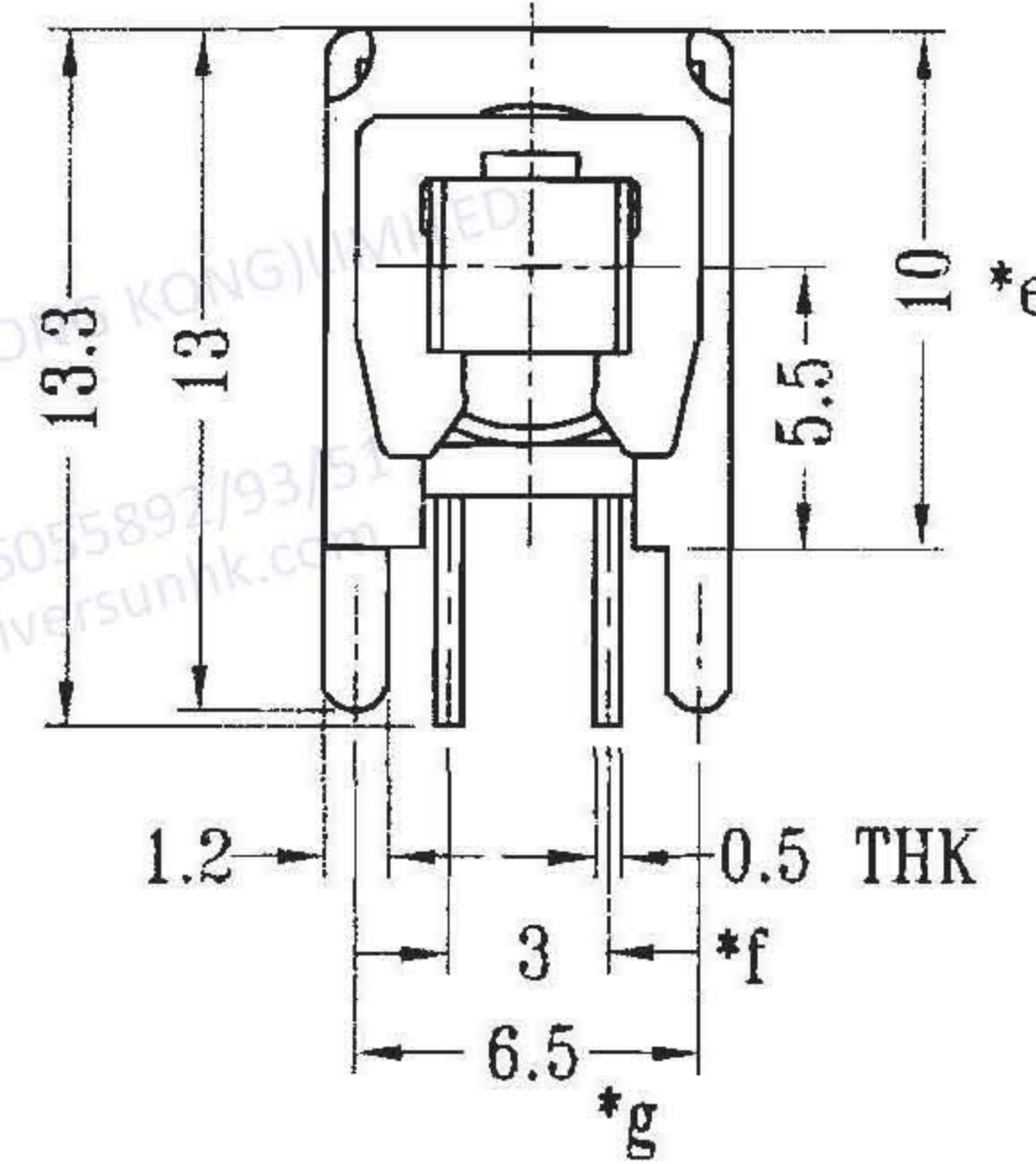
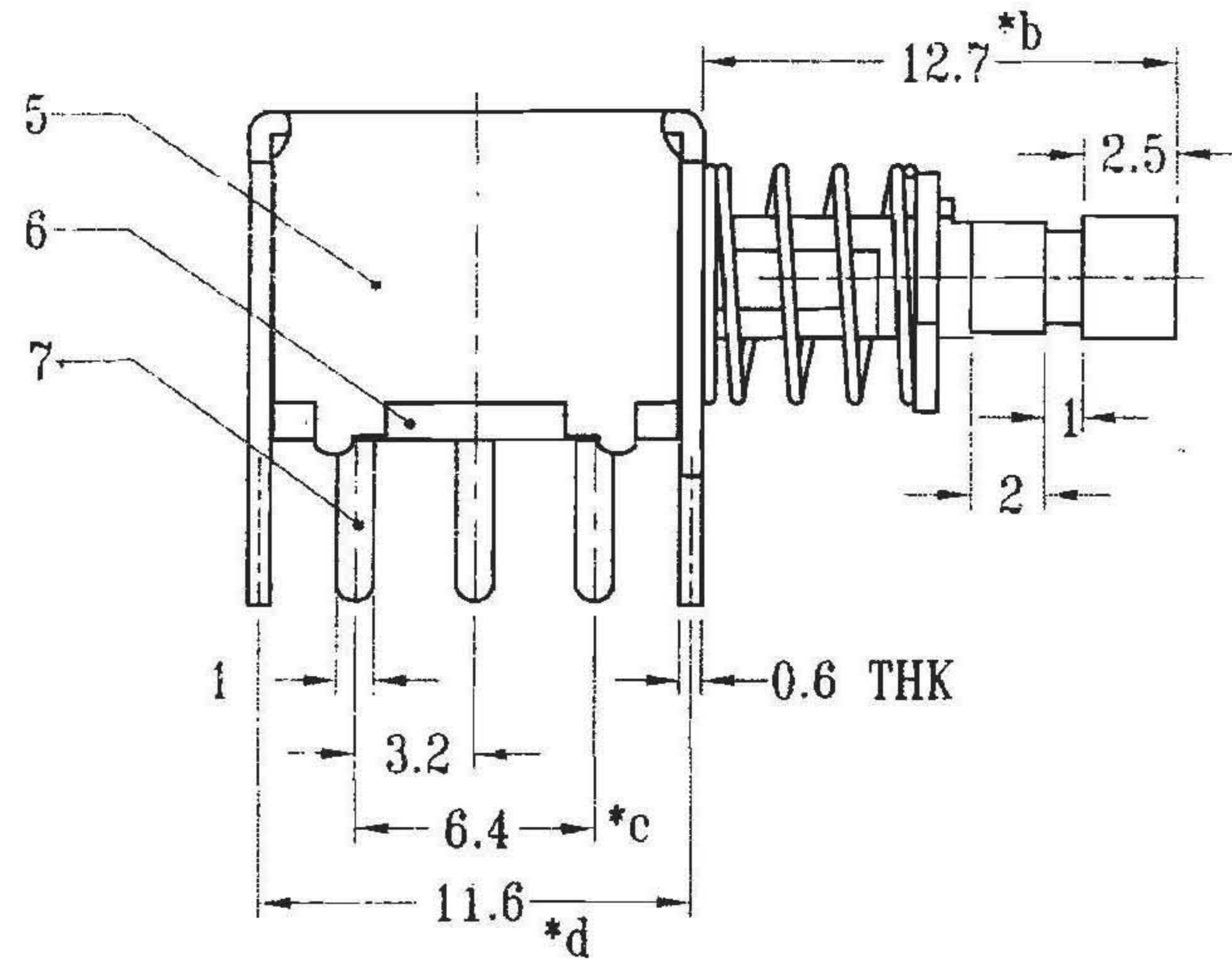
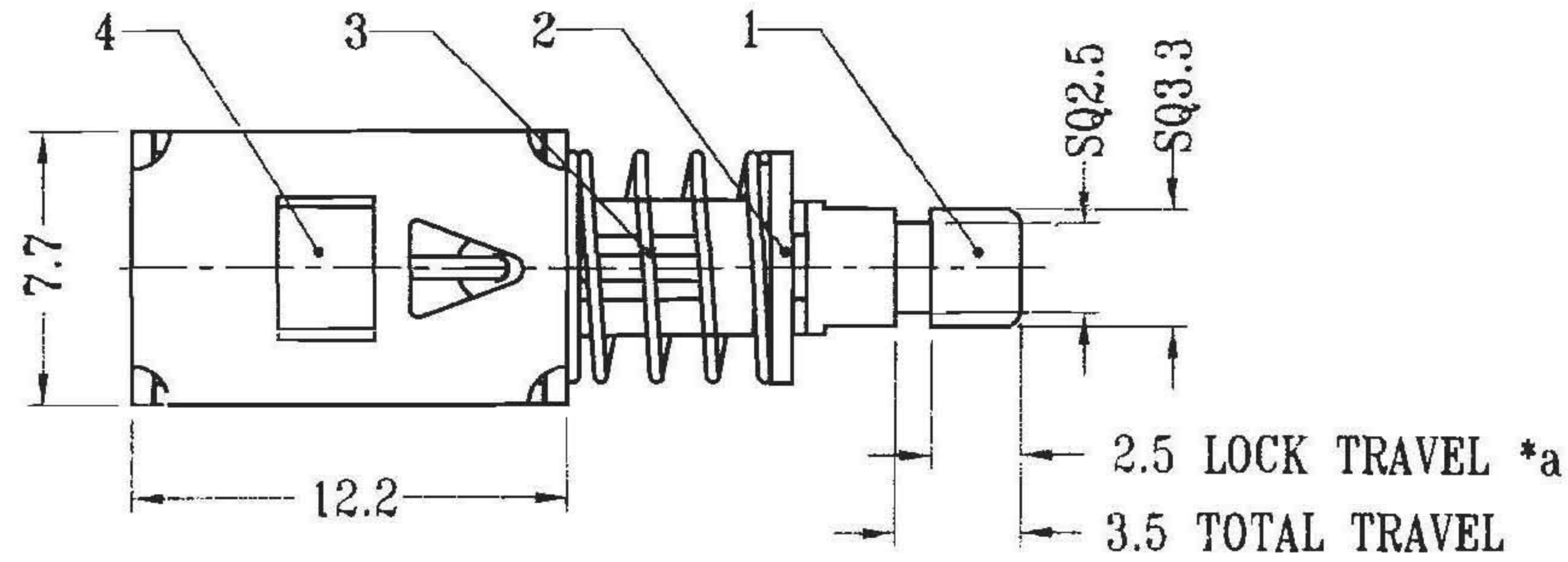
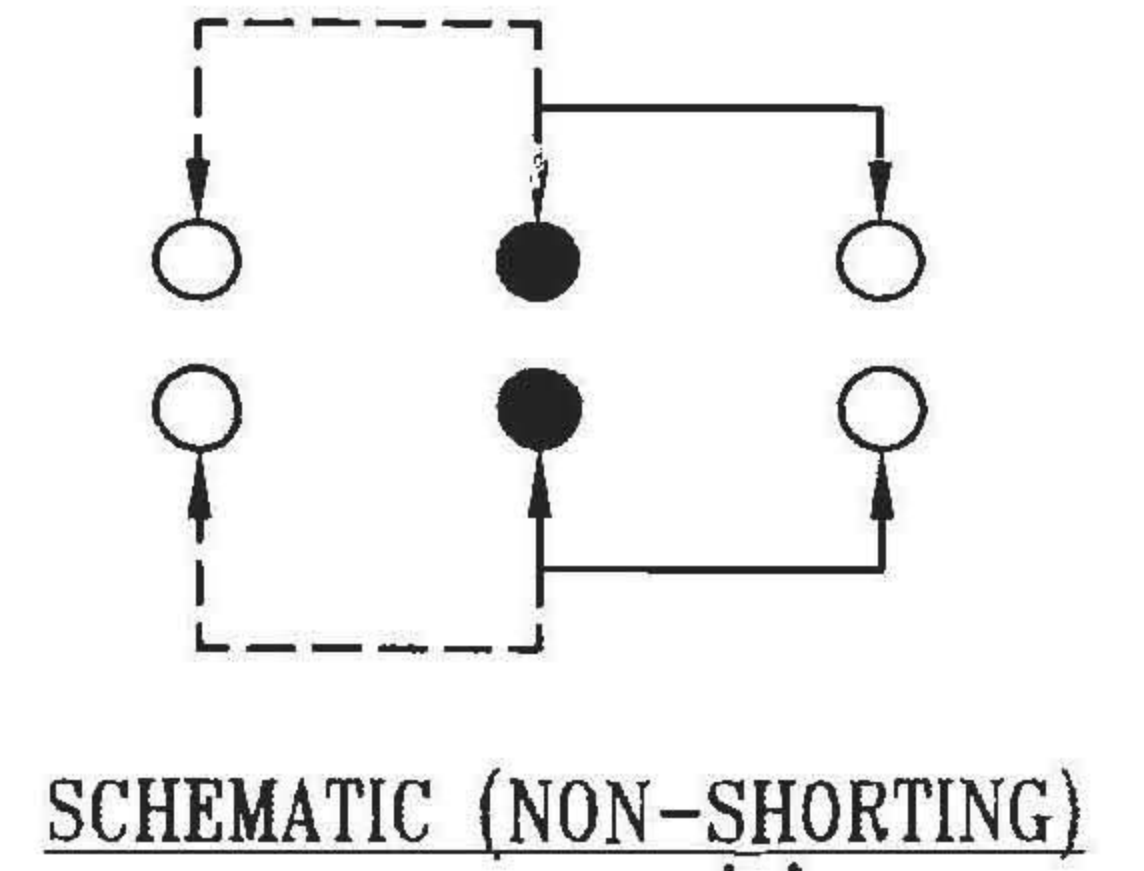


CAD FILE:



P.C.B LAYOUT
BOTTOM VIEW

注：“*”表示关键尺寸(7个)



NO.	PARTS	MATERIALS	Q'TY	FINISH
9	CONTACT CLIP	PBS C5210R-EH	2	Ag CLAD
8	CAM STICK	PBS WIRE	1	NATURAL
7	TERMINAL	BRASS STRIP	6	Ag PLATED OVER Ni PLATED
6	BASE	PHENOLIC RESIN	1	NATURAL
5	FRAME	STEEL STRIP	1	Ni PLATED
4	SPRING PLATE	PBS STRIP	1	NATURAL
3	SPRING	STEEL WIRE	1	Ni PLATED
2	BLOCK	STEEL STRIP	1	Ni PLATED
1	KNOB	POM	1	BLACK

TOLERANCE					
UNLESS SPECIFIED					
WITHIN 1.5mm	: ±0.1mm	A		初版	
OVER 1.5mm	: ±0.2mm	ISSUE	DATE	DESCRIPTIONS OF REVISION	
TITLE : PUSH SWITCH			UNIT : mm	DRWG NO.:	
MODEL: PS-22F02			SCALE: 5:2	DWN.	
				CHK'D	
				APPD.	