



Feature -


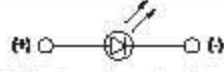
- bi-color LED illuminated available
- SPST, DPDT, lock / non-lock function

Application -

- audio / video products
- instrumentation
- communication equipments

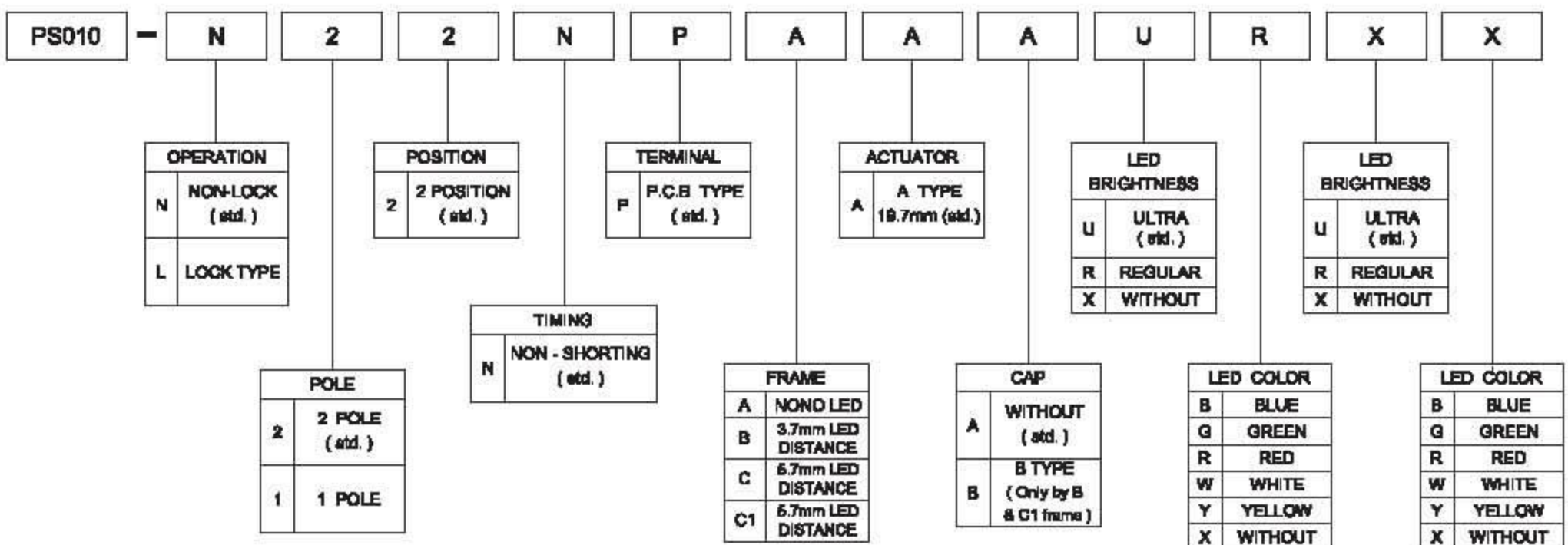
SPECIFICATIONS

SWITCH SPECIFICATIONS	
POLE - POSITION	SPST , DPDT
CONTACT RATING	30 V DC , 0.1 A
CONTACT RESISTANCE	50 mΩ MAX. 1.5 V DC ; 100 mA , by Method of Voltage DROP
INSULATION RESISTANCE	100 MΩ MIN. 500 V DC for 1 minute
DIELECTRIC STRENGTH	Breakdown is not Allowable ; 500 V AC for 1 Minute
OPERATING FORCE	250 ± 100 gf
OPERATING LIFE	100,000 cycles
OPERATING TEMPERATURE RANGE	-20°C ~ 70°C
TOTAL TRAVEL / LOCK TRAVEL	2.5 ± 0.3 mm / 1.5 ± 0.3 mm

LED SPECIFICATIONS		Unit	Value / LED Color			
			Blue	Green	Red	Yellow
 ATTENTION LEDs are Electrostatic Sensitive devices						
FORWARD CURRENT	I_f	mA	20	20	20	20
REVERSE VOLTAGE	V_r	V	5.0	5.0	5.0	5.0
REVERSE CURRENT	I_r	μA	10	10	10	10
FORWARD VOLTAGE@20mA	V_f	V	3.3-4.0	2.1-2.5	2.0-2.5	2.0-2.5
LUMINOUS INTENSITY@20mA	I_v	mcd	1300	700	900	700

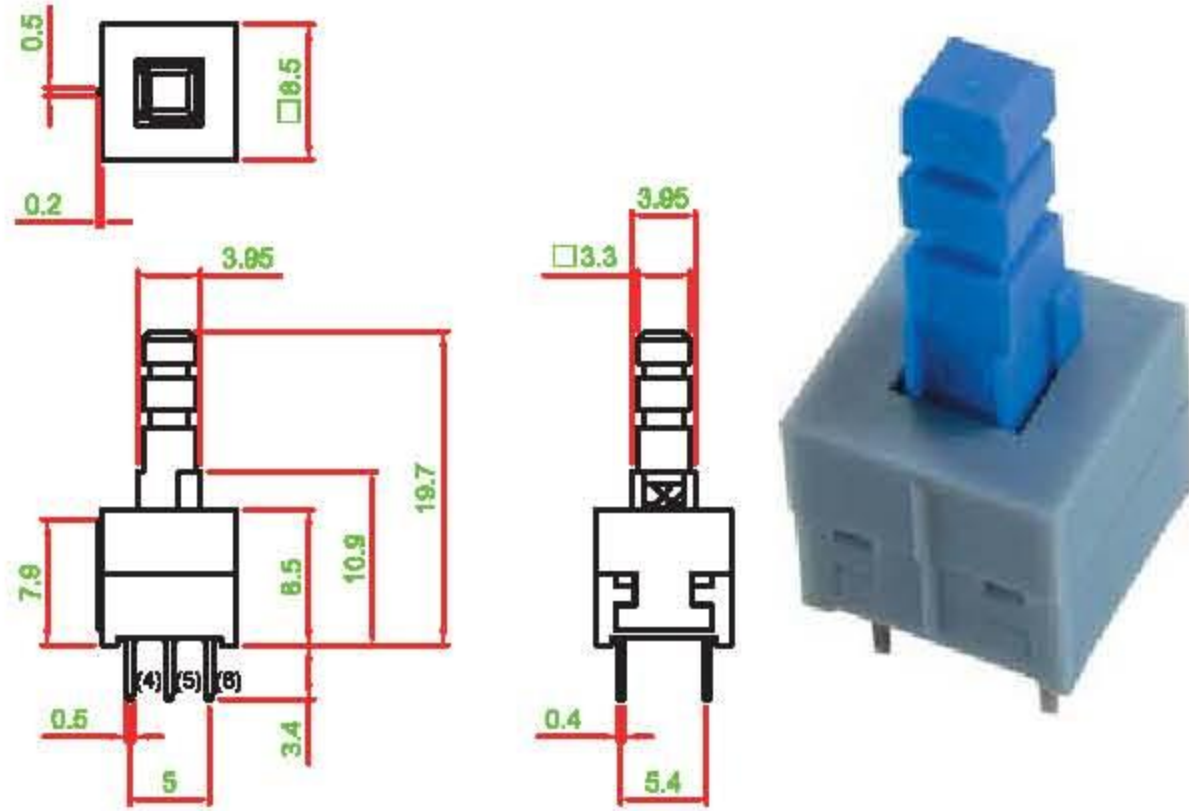
Physical and electrical information of LED will be provided upon customer's request on switches .

HOW TO ORDER

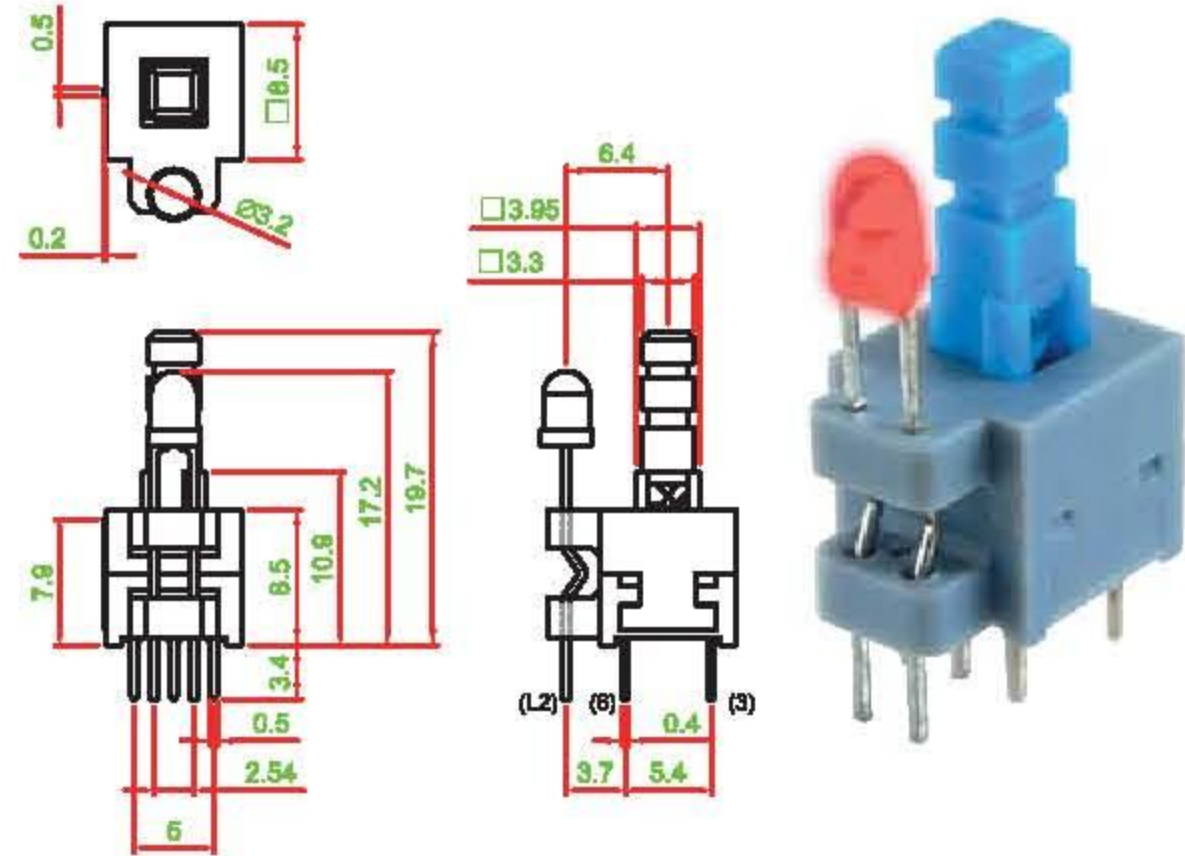


► DIMENSION

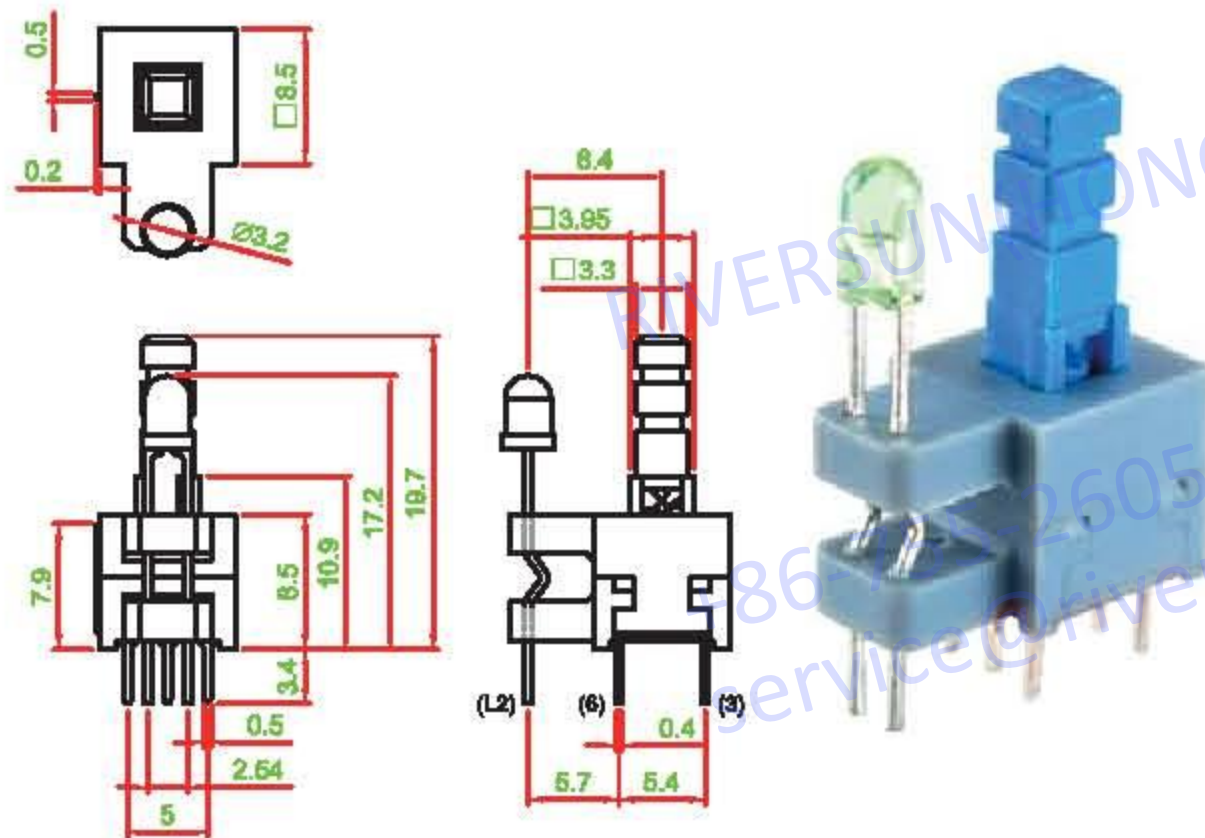
PS010 - N22NPAAAXXX



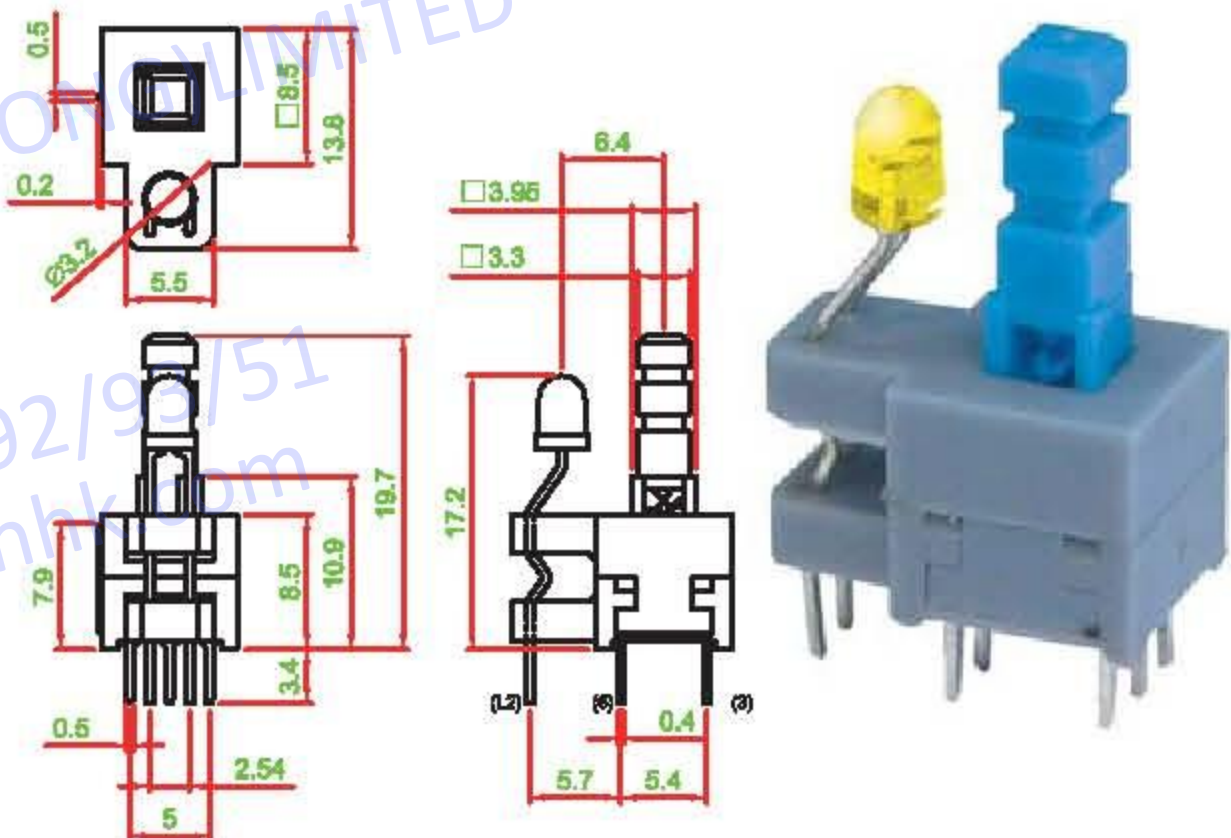
PS010 - N22NPBAA □□□□



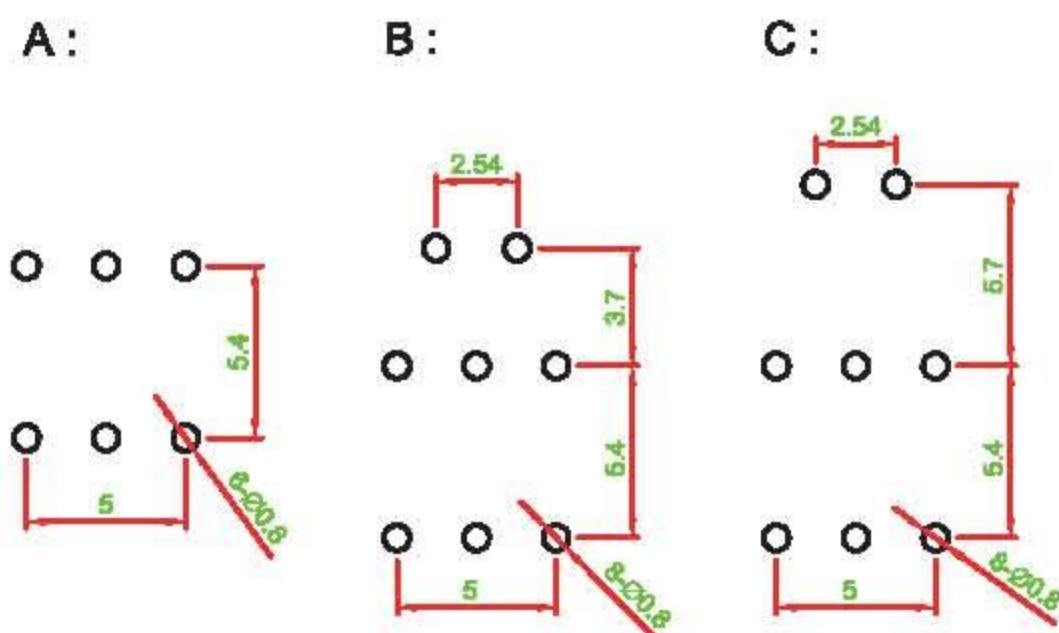
PS010 - N22NPCAA □□□□



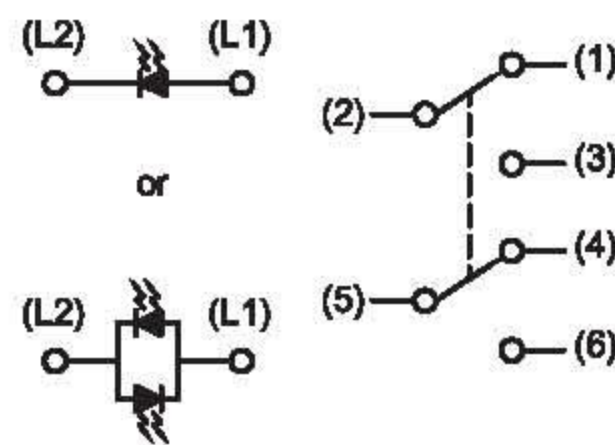
PS010 - N22NPC1AA □□□□



► P.C.B LAYOUT



► CIRCUIT



► KNOB OPTION



► MATERIAL

- ACTUATOR : PA
- BASE FRAME : PA + GF
- TERMINAL : BRASS SILVER PLATING