



Feature -

- noiseless
- full color LED illuminated available
- long electrical life cycles
- SPST, momentary function

Application -

- audio / video products
- instrumentation
- communication equipments

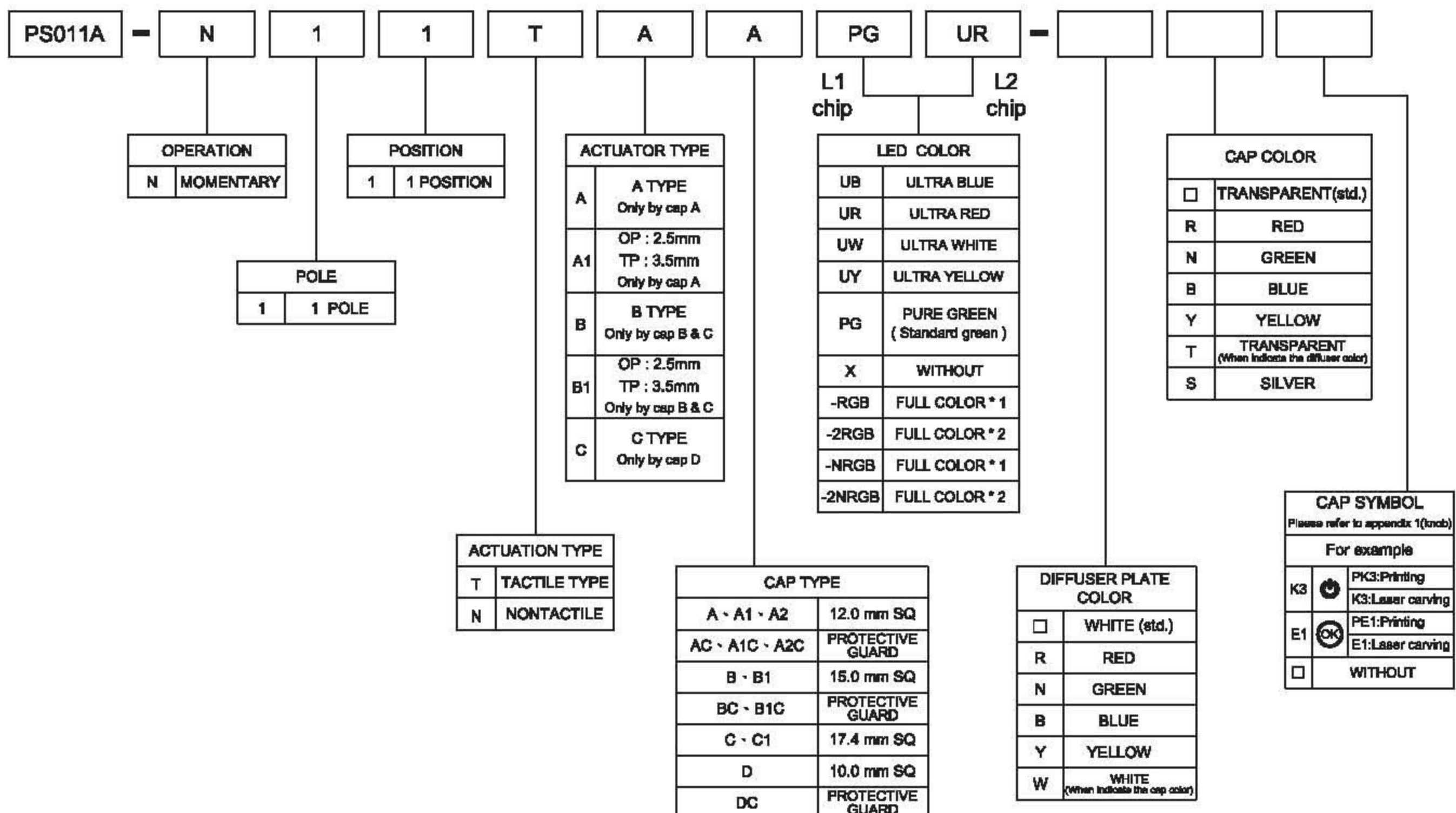
SPECIFICATIONS

SWITCH SPECIFICATIONS	
POLE - POSITION	OFF - <ON> for Momentary Type , SPST
CONTACT RATING	100 mA 12V DC
CONTACT RESISTANCE	200 mΩ MAX.
INSULATION RESISTANCE	100 MΩ MIN. 500 V DC
DIELECTRIC STRENGTH	Breakdown is not Allowable ; 500 V AC for 1 Minute
OPERATING FORCE	250 ± 100 gf (TP:4.5mm) 160 ± 80 gf (TP:3.5mm)
OPERATING LIFE	1,000,000 cycles
OPERATING TEMPERATURE RANGE	-20°C ~ 70°C
TOTAL TRAVEL	4.5 ± 0.2 mm / 3.5 ± 0.2 mm

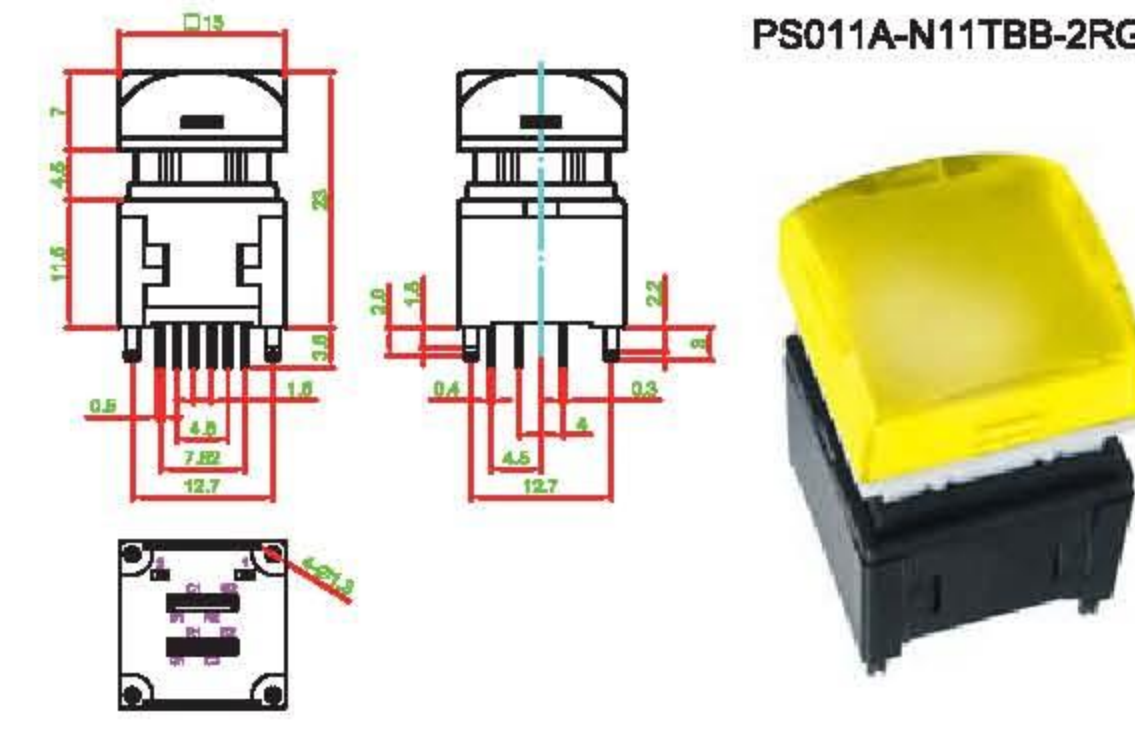
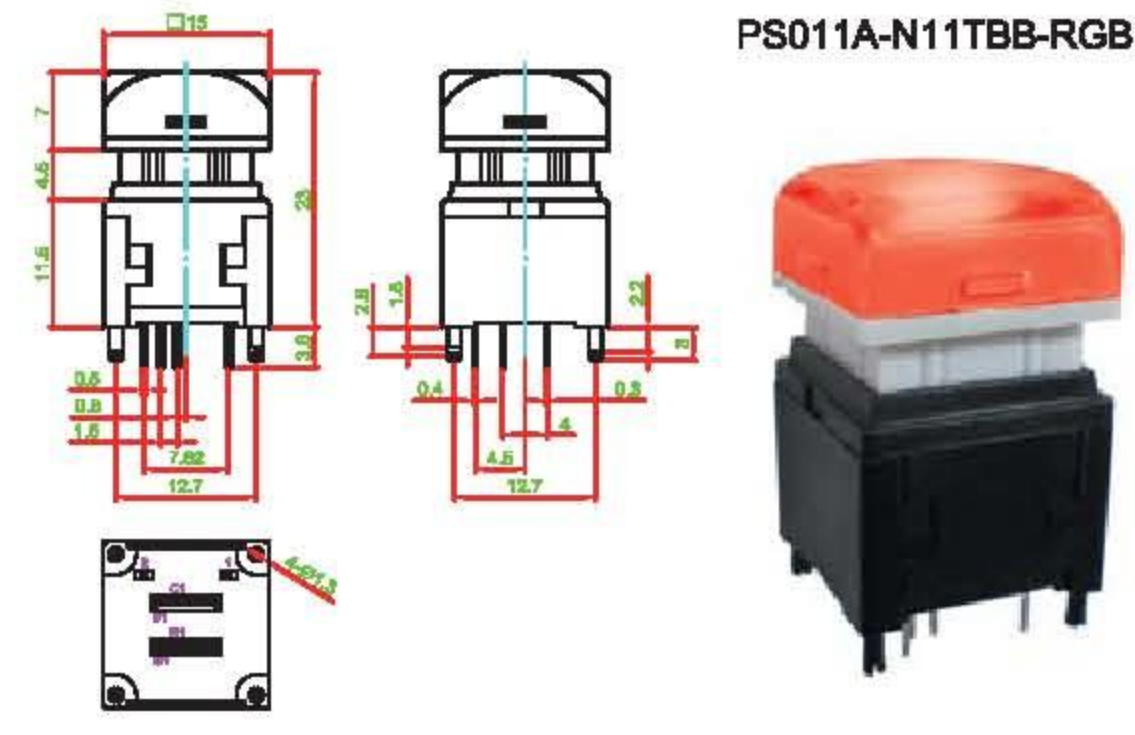
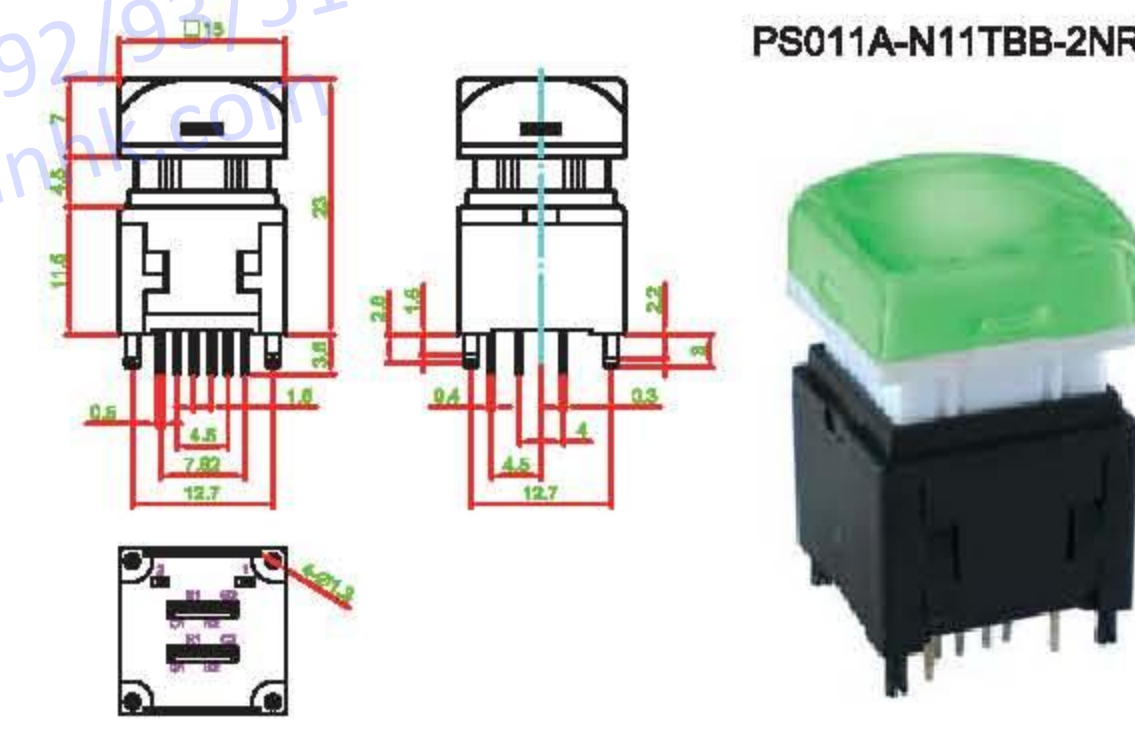
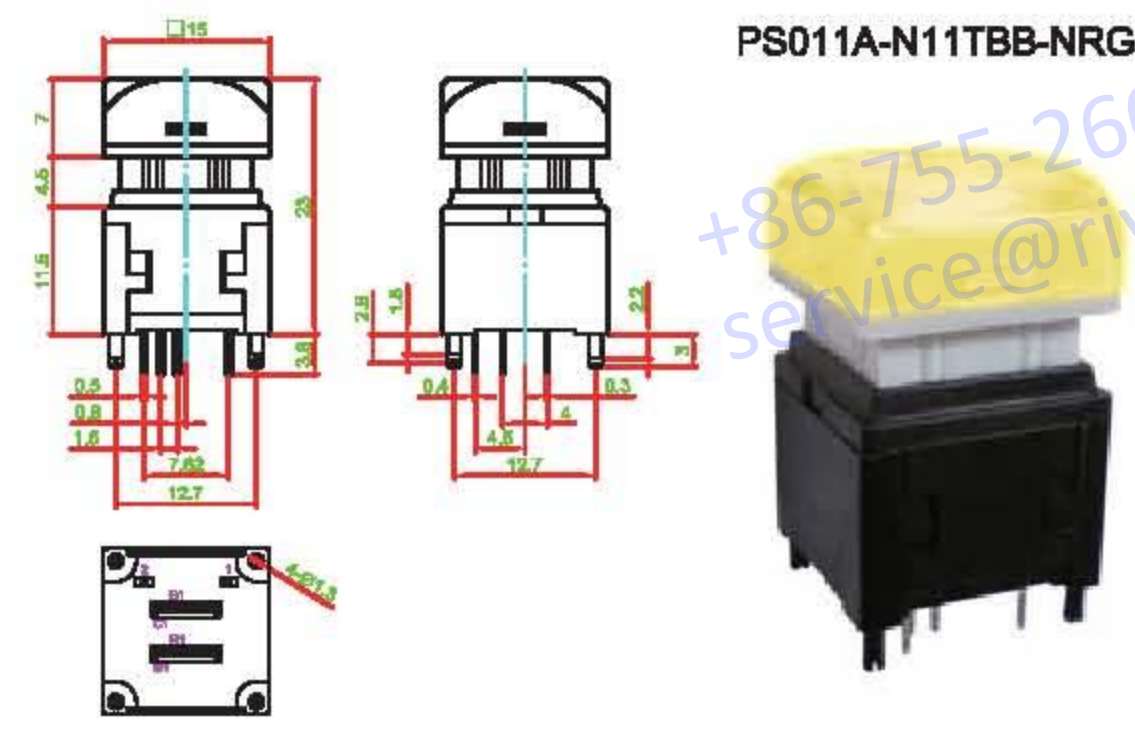
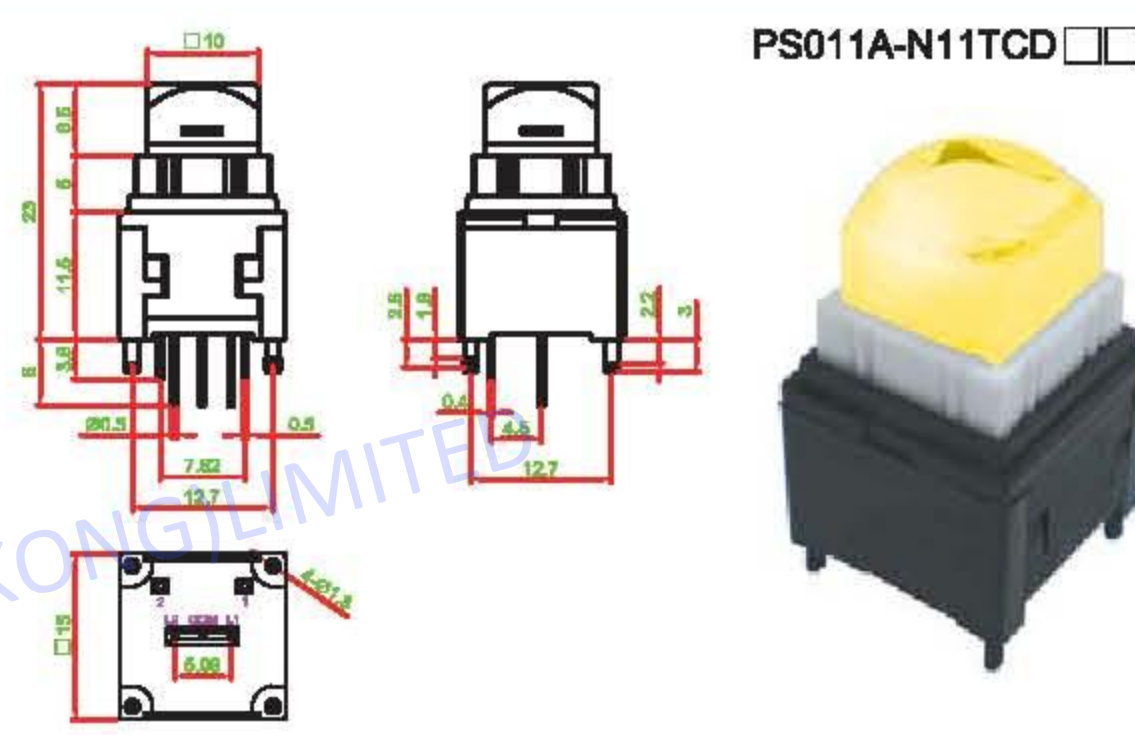
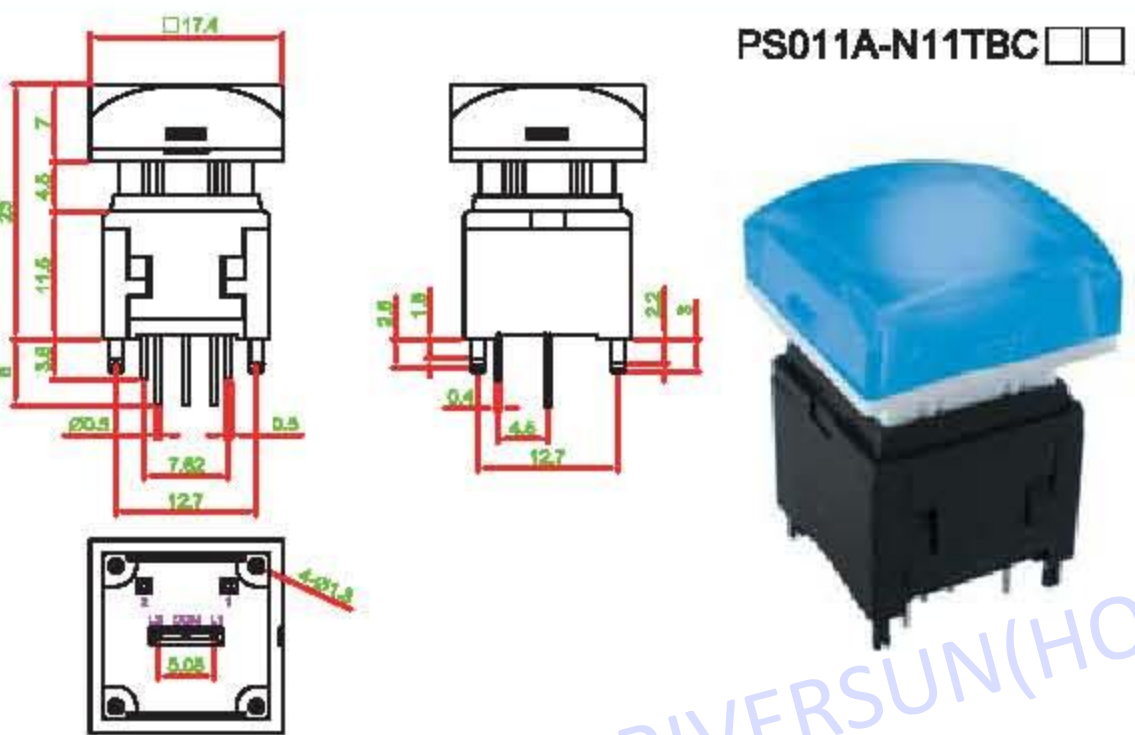
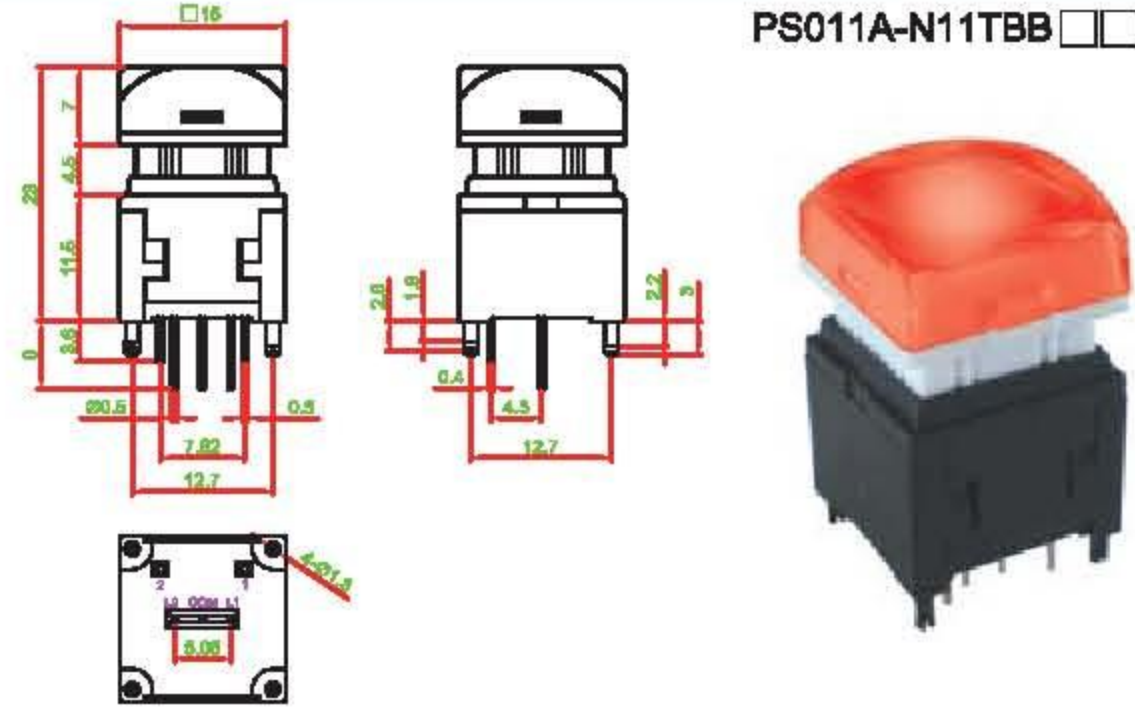
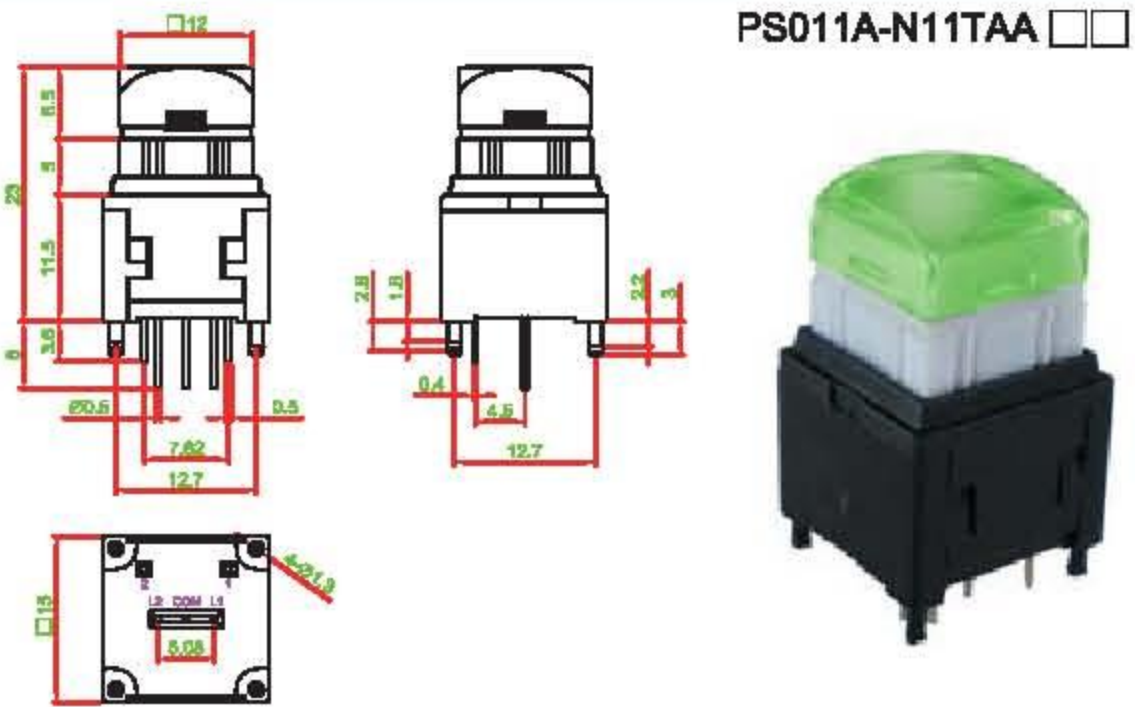
LED SPECIFICATIONS		Value / LED Color		
ATTENTION LEDs are Electrostatic Sensitive devices	Unit	Ultra Blue	Pure Green	Ultra Red
		FORWARD CURRENT	20	20
REVERSE VOLTAGE	5.0	5.0	5.0	
REVERSE CURRENT	10	10	10	
FORWARD VOLTAGE@20mA	2.7-3.7	2.7-3.2	1.7-2.2	
LUMINOUS INTENSITY@20mA	25~80	90~225	57~140	

Physical and electrical information of LED will be provided upon customer's request on switches .

HOW TO ORDER

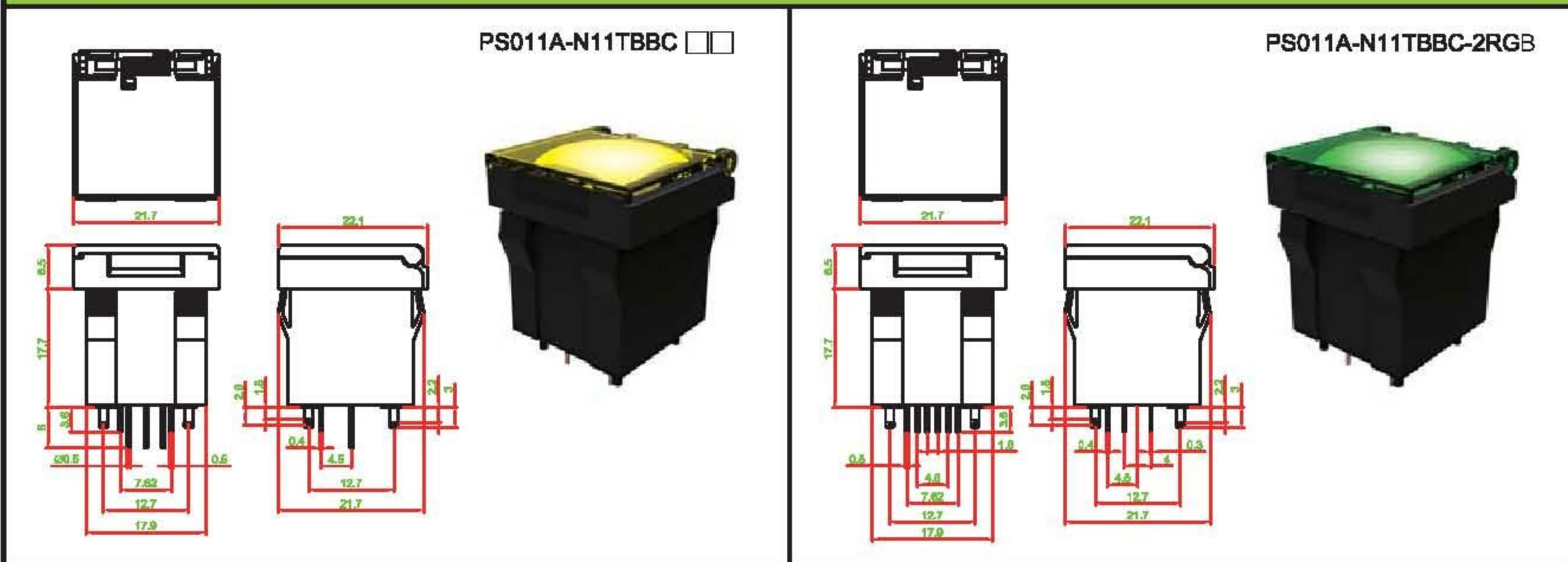


▶ **FRAME TYPE OPTION**



RIVERSUN(HONG KONG) LIMITED
+86-755-26055392/93/51
service@riversun.com

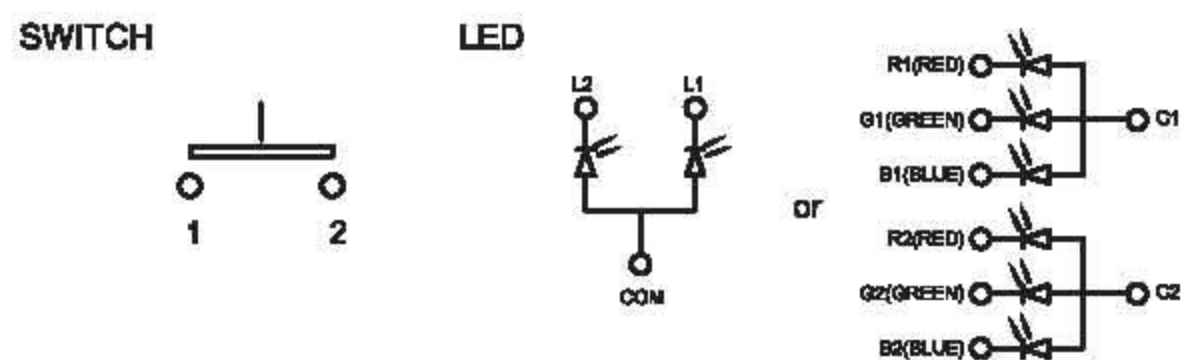
▶ FRAME TYPE OPTION



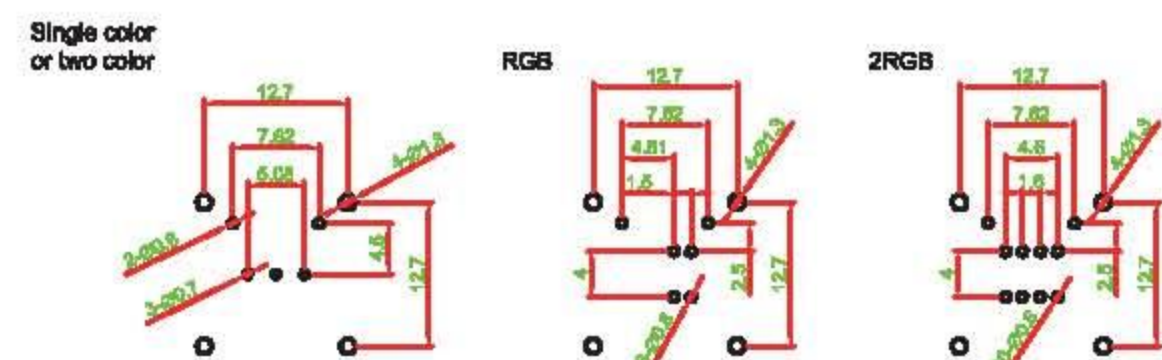
▶ KNOB OPTION



▶ SCHEMATIC



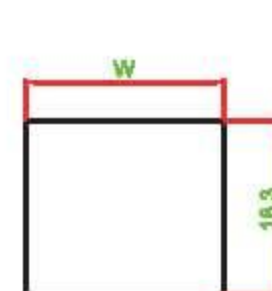
▶ P.C.B LAYOUT



▶ MATERIAL

- COVER : PC
- ACTUATOR : POM
- BASE FRAME : PA + GF
- TERMINAL : BRASS SILVER PLATING
- MOVING CONTACT : PHOSPHOR BRONZE GOLD PLATING

▶ PANEL CUT OUT



PANEL THICK	W
0.75 ~ 1.25	20.1 ~ 20.3
1.25 ~ 2.0	20.3 ~ 20.5
2.0 ~ 3.0	20.5 ~ 20.7

