



**Features**

- Switching capacity up to 6A
- Small size and light weight
- Low coil power consumption
- Up to 48VDC coil voltage
- Strong resistance to shock and vibration

**Contact Data**

Contact Arrangement	2A = DPST N.O. 2B = DPDT N.C. 2C = DPDT	Contact Resistance	< 50 milliohms initial
Contact Rating	5A @ 277VAC, 100,000 cycles, general purpose 6A @ 125VAC, 100,000 cycles, resistive 6A @ 125VAC, 30VDC resistive	Contact Material	AgCdO + Au
		Maximum Switching Power	180W 720VA
		Maximum Switching Voltage	277VAC, 125VDC
		Maximum Switching Current	6A

**Coil Data**

Coil Voltage VDC		Coil Resistance Ω+/- 10%	Pick Up Voltage VDC (max) 75% of rated voltage	Release Voltage VDC (min) 10% of rated voltage	Coil Power W	Operate Time ms	Release Time ms
Rated	Max						
3	3.9	15	2.25	.3	.60	10	5
6	7.8	60	4.50	.6			
9	11.7	135	6.75	.9			
12	15.6	240	9.00	1.2			
24	31.2	960	18.00	2.4			
48	62.4	3840	36.00	4.8			

**General Data**

Electrical Life @ rated load	100K cycles, typical
Mechanical Life	10M cycles, typical
Insulation Resistance	100M Ω min. @ 500VDC
Dielectric Strength, Coil to Contact Contact to Contact	1000V rms min. @ sea level 750V rms min. @ sea level
Shock Resistance	100m/s <sup>2</sup> for 11 ms
Vibration Resistance	1.50mm double amplitude 10~40Hz
Terminal (Copper Alloy) Strength	10N
Operating Temperature	-40°C to +85°C
Storage Temperature	-40°C to +155°C
Solderability	260°C for 5 s
Weight	12g

**Caution**  
1. The use of any coil voltage less than the rated coil voltage may compromise the operation of the relay.

Specifications and availability subject to change without notice.

Dimensions shown in mm. Dimensions are shown for reference purposes only.

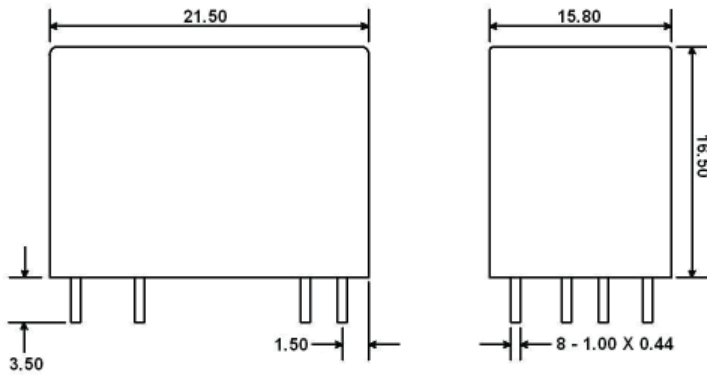
# J098

## Ordering Information

1. Series	J098	2C	S	3VDC	.60
J098					
2. Contact Arrangement					
2A = DPST N.O.					
2B = DPST N.C.					
2C = DPDT					
3. Sealing Options					
S = Sealed					
4. Coil Voltage					
3VDC					
6VDC					
9VDC					
12VDC					
24VDC					
48VDC					
5. Coil Power					
.60 = .60W					

## Dimensions

Units = mm



## Schematics & PC Layouts

Bottom Views

