



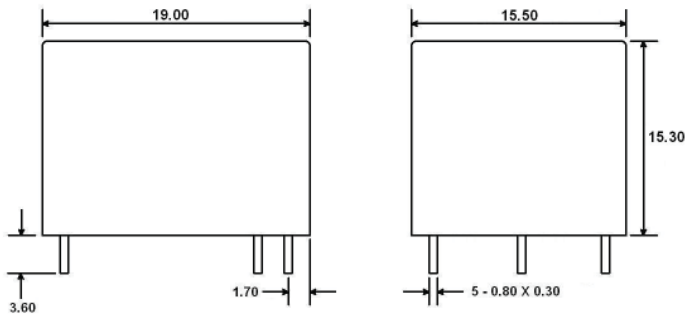
# J107E1

## Ordering Information

1. Series	J107E1	1C	S	10	12VDC	.36
J107E1						
2. Contact Arrangement	1A = SPST N.O. 1B = SPST N.C. 1C = SPDT					
3. Sealing Option	S = Sealed					
4. Contact Rating	10 = 10A					
5. Coil Voltage	3VDC 5VDC 6VDC 9VDC 12VDC 24VDC					
6. Coil Power	.36 = .36W .45 = .45W					

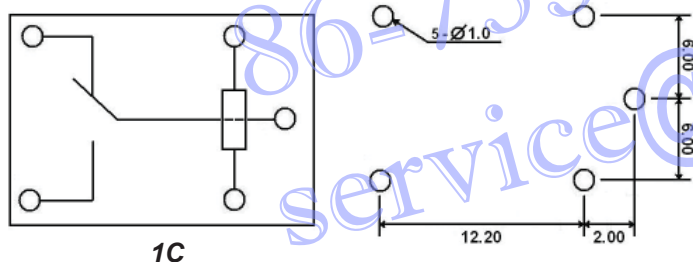
## Dimensions

Units = mm



## Schematics & PC Layouts

Bottom Views



Dimensions shown in mm. Dimensions are shown for reference purposes only.

Specifications and availability subject to change without notice.