

c  RoHS Compliant

J107F

E197851

19.0 x 15.5 x 15.3 mm

Features

- UL F class rated standard
- Small size and light weight
- PC board mounting
- UL/CUL certified

Contact Data

Contact Arrangement	1A = SPST N.O. 1B = SPST N.C. 1C = SPDT	Contact Rating 20A Contact	20A @ 16VDC / 125VAC gp 10A @ 250VAC general purpose 1/3hp @ 125VAC / 277VAC
Contact Resistance	< 50 milliohms initial	15A Contact	15A @ 125VAC general purpose 6A @ 277VAC general purpose
Contact Material	AgSnO ₂	12A Contact	12A @ 125VAC general purpose 12A @ 28VDC general purpose
Maximum Switching Power	2500VA, 420W		
Maximum Switching Voltage	380VAC, 110VDC		
Maximum Switching Current	20A		

Coil Data

Coil Voltage VDC		Coil Resistance $\Omega \pm 10\%$			Pick Up Voltage VDC (max) 75% of rated voltage	Release Voltage VDC (min) 10% of rated voltage	Coil Power W	Operate Time ms	Release Time ms
Rated	Max	.36W	.45W	.80W					
5	6.5	70	56	31	3.75	.5	.36 .45 .80	10	5
6	7.8	100	80	45	4.50	.6			
9	11.7	225	180	101	6.75	.9			
12	15.6	400	320	180	9.00	1.2			
18	23.4	900	720	405	13.50	1.8			
24	31.2	1600	1280	720	18.00	2.4			
48	62.4	6400	5120	2880	36.00	4.8			

General Data

Electrical Life @ rated load	100K cycles, typical
Mechanical Life	10M cycles, typical
Insulation Resistance	100M Ω min. @ 500VDC
Dielectric Strength, Coil to Contact Contact to Contact	1500V rms min. @ sea level 750V rms min. @ sea level
Shock Resistance	100m/s ² for 11 ms
Vibration Resistance	1.50mm double amplitude 10~40Hz
Operating Temperature	-55°C to +125°C
Storage Temperature	-55°C to +155°C
Solderability	260°C for 5 s
Weight	9.5g

Caution

1. The use of any coil voltage less than the rated coil voltage may compromise the operation of the relay.

Specifications and availability subject to change without notice.

Dimensions shown in mm. Dimensions are shown for reference purposes only.

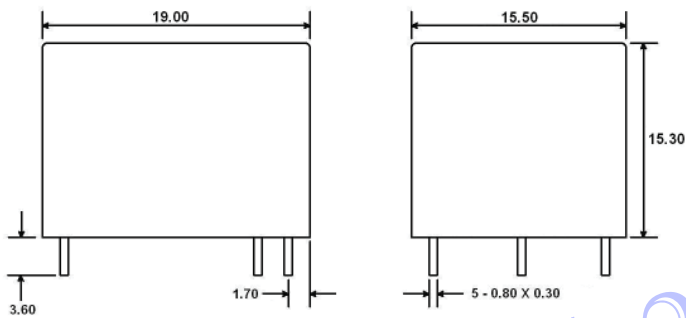
J107F

Ordering Information

1. Series	J107F	1C	S	12	12VDC	.36
J107F						
2. Contact Arrangement	1A = SPST N.O. 1B = SPST N.C. 1C = SPDT					
3. Sealing Option	S = Sealed					
4. Contact Rating	12 = 12A 15 = 15A 20 = 20A (20Amp available in .45 or .80 watt coil only)					
5. Coil Voltage	5VDC 6VDC 9VDC 12VDC 18VDC 24VDC 48VDC					
6. Coil Power	.36 = .36W .45 = .45W .80 = .80W					

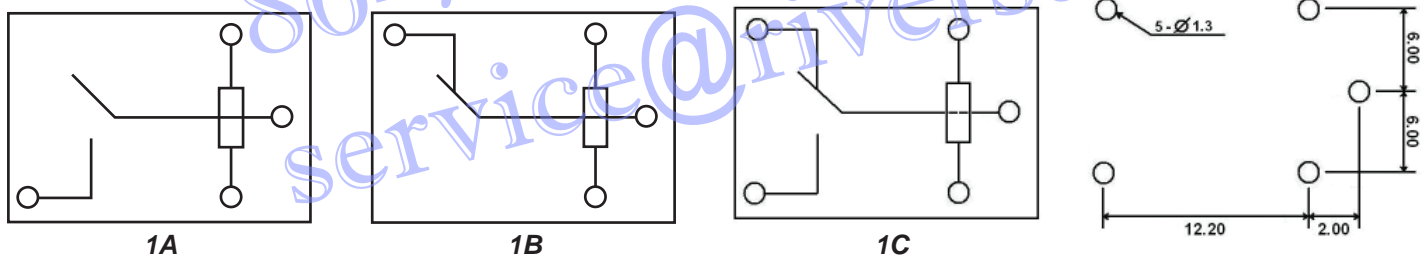
Dimensions

Units = mm



Schematics & PC Layouts

Bottom Views



Dimensions shown in mm. Dimensions are shown for reference purposes only.

Specifications and availability subject to change without notice.