



**Features**

- Low power consumption .12W
- Ultra light weight
- Narrow width for high density mounting
- UL/CUL certified

**Contact Data**

Contact Arrangement	1A = SPST N.O.	Contact Resistance	< 50 milliohms initial
Contact Rating	5A @ 250VAC Resistive 5A @ 30VDC Resistive	Contact Material	AgSnO <sub>2</sub>
		Maximum Switching Power	150W, 1250VA
		Maximum Switching Voltage	250VAC, 110VDC
		Maximum Switching Current	5A

**Coil Data**

Coil Voltage VDC		Coil Resistance Ω +/- 10%	Pick Up Voltage VDC (max) 75% of rated voltage	Release Voltage VDC (min) 10% of rated voltage	Coil Power W	Operate Time ms	Release Time ms
Rated	Max						
5	6.5	208	3.75	.5	.12	10	5
6	7.8	300	4.50	.6			
9	11.7	675	6.75	.9			
12	15.6	1200	9.00	1.2			
18	23.4	2700	13.50	1.8			
24	31.2	3200	18.00	2.4			

**General Data**

Electrical Life @ rated load	100K cycles, typical
Mechanical Life	10M cycles, typical
Insulation Resistance	100M Ω min. @ 500VDC
Dielectric Strength, Coil to Contact	2000V rms min. @ sea level
Contact to Contact	1000V rms min. @ sea level
Shock Resistance	100m/s <sup>2</sup> for 11 ms
Vibration Resistance	1.50mm double amplitude 10~40Hz
Terminal (Copper Alloy) Strength	5N
Operating Temperature	-40°C to +85°C
Storage Temperature	-40°C to +155°C
Solderability	260°C for 5 s
Weight	3g

**Caution**  
1. The use of any coil voltage less than the rated coil voltage may compromise the operation of the relay.

Specifications and availability subject to change without notice.

Dimensions shown in mm. Dimensions are shown for reference purposes only.

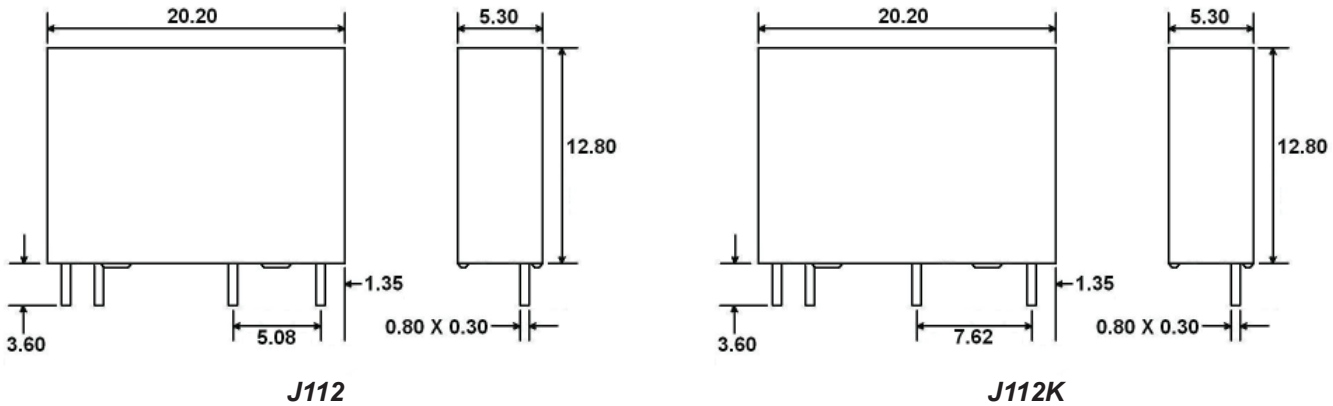
# J112

## Ordering Information

1. Series	J112	1A	S	12VDC
	J112			
	J112K			
2. Contact Arrangement	1A = SPST N.O.			
3. Sealing Option	S = Sealed			
4. Contact Voltage	5VDC 6VDC 9VDC 12VDC 18VDC 24VDC			

## Dimensions

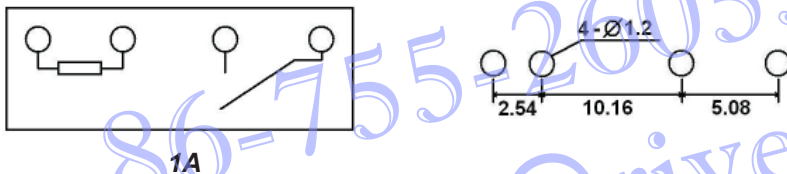
Units = mm



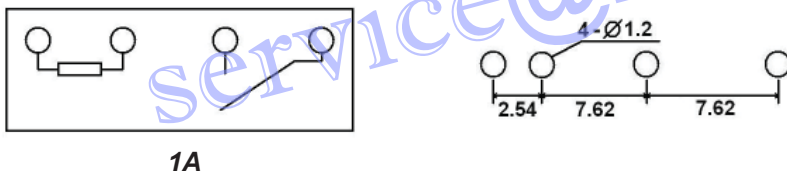
## Schematics & PC Layouts

Bottom Views

J112



J112K



Dimensions shown in mm. Dimensions are shown for reference purposes only.

Specifications and availability subject to change without notice.