



Features

- UL F class rated standard, UL/CUL, TÜV certified
- Small size and light weight, low coil power consumption
- Heavy contact load, strong shock and vibration resistance

Contact Data

TÜV Contact Rating	N.O.	40A @ 240VAC; 14VDC	Contact Arrangement	1A = SPST N.O.
	N.C.	30A @ 277VAC		1B = SPST N.C.
UL Contact Rating	N.O.	40A @ 240VAC Resistive	Contact Resistance	< 30 milliohms initial
	N.C.	30A @ 240VAC Resistive		30A @ 30VDC
	N.O.	30A @ 277VAC General Purpose	Contact Material	AgSnO ₂ AgSnO ₂ In ₂ O ₃
	N.C.	20A @ 277VAC		Maximum Switching Power
	N.O.	2hp @ 250VAC	Maximum Switching Voltage	277VAC, 110VDC
	N.C.	30A @ 240VAC Resistive		Maximum Switching Current
	N.O.	30A @ 30VDC		
	N.C.	20A @ 277VAC General Purpose		
		1-1/2hp @ 250VAC		

Coil Data DC Parameters

Coil Voltage VDC		Coil Resistance Ω +/- 10%		Pick Up Voltage VDC (max)	Release Voltage VDC (min)	Coil Power W	Operate Time ms	Release Time ms
Rated	Max	.6W	.9W	75% of rated voltage	10% of rated voltage			
3	3.9	15	10	2.25	.3	.60 .90	15	10
5	6.5	42	28	3.75	.5			
6	7.8	60	40	4.50	.6			
9	11.7	135	90	6.75	.9			
12	15.6	240	160	9.00	1.2			
15	19.5	375	250	10.25	1.5			
18	23.4	540	360	13.50	1.8			
24	31.2	960	640	18.00	2.4			
48	62.4	3840	2560	36.00	4.8			
110	140.3	20167	13445	82.50	11.0			

Coil Data AC Parameters

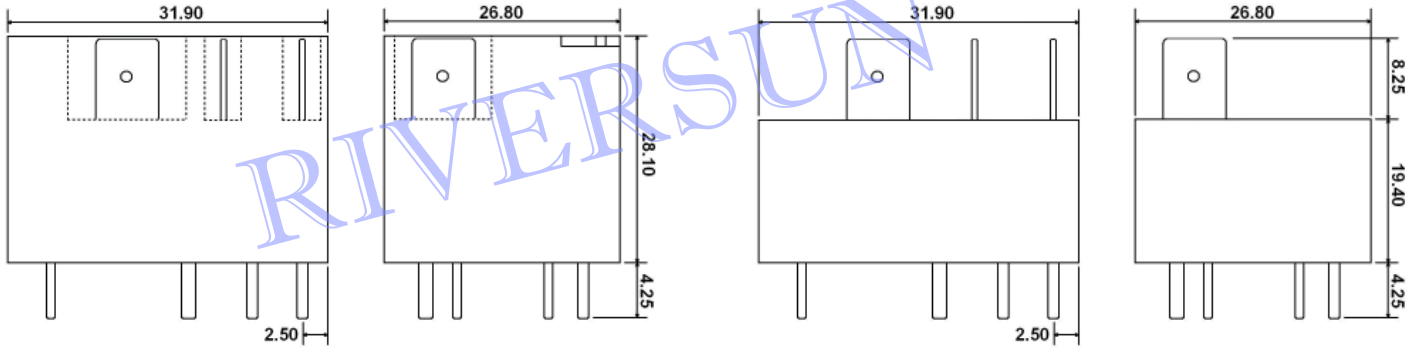
Coil Voltage VAC		Coil Resistance Ω +/- 10%		Pick Up Voltage VAC (max)	Release Voltage VAC (min)	Coil Power VA	Operate Time ms	Release Time ms
Rated	Max			75% of rated voltage	30% of rated voltage			
12	15.6		27	9.00	3.6	2VA	15	10
24	31.2		120	18.00	7.2			
110	143		2360	82.50	33.0			
120	156		3040	90.00	36.0			
220	286		13490	165.00	66.0			
240	312		15320	180.00	72.0			
277	360		20210	207.00	83.1			

Dimensions shown in mm. Dimensions are shown for reference purposes only. Specifications and availability subject to change without notice.

J115F2

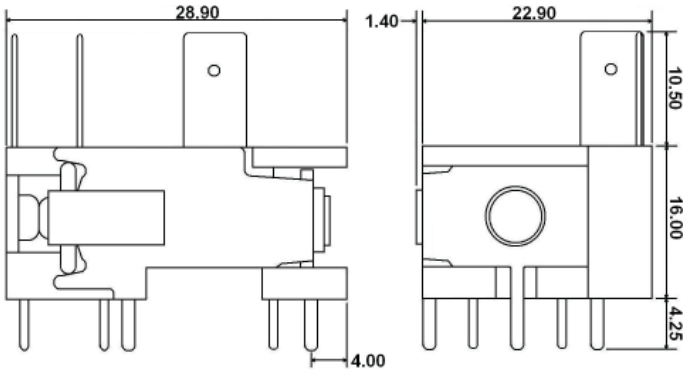
Dimensions

Units = mm



S = Sealed

L = Low Profile

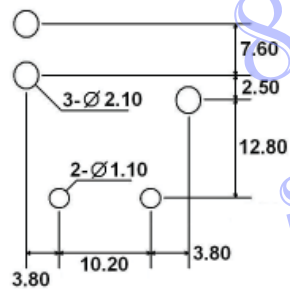
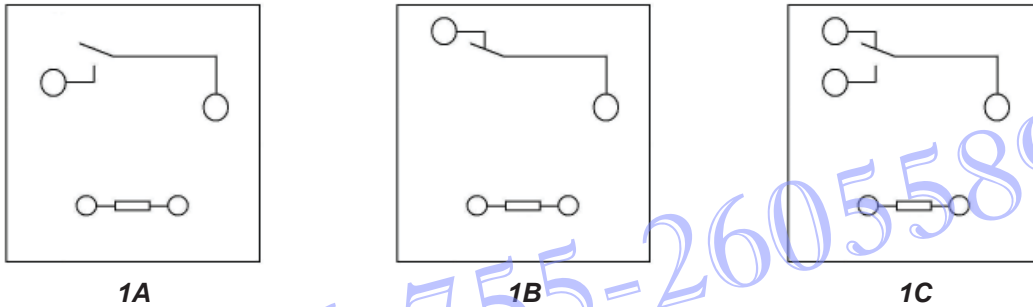


N = No Cover

**** Quick Connect Terminal :
 Contacts - 6.35 x .81mm (.250" x .032")**

Schematics & PC Layouts

Bottom Views



Dimensions shown in mm. Dimensions are shown for reference purposes only.

Specifications and availability subject to change without notice.