



Features

- Low coil power consumption
- Small size and light weight
- PC board mounting
- Wide range of applications

Contact Data

Contact Arrangement	1A = SPST N.O. 1B = SPST N.C. 1C = SPDT
Contact Rating	N.O. 10A @ 120VAC Resistive 20A @ 14VDC Resistive N.C. 10A @ 14VDC Resistive 1/2hp - 125VAC; TV-5, 120VAC

Contact Resistance	< 50 milliohms initial
Contact Material	AgSnO ₂
Maximum Switching Power	280W, 1200VA
Maximum Switching Voltage	380VAC, 110VDC
Maximum Switching Current	20A

Coil Data

Coil Voltage VDC		Coil Resistance Ω +/- 10%		Pick Up Voltage VDC (max)	Release Voltage VDC (min)	Coil Power W	Operate Time ms	Release Time ms
Rated	Max	.6W	.8W	75% of rated voltage	10% of rated voltage			
6	7.8	60	45	4.50	.6	.60 .80	10	5
9	11.7	135	102	6.75	.9			
12	15.6	240	180	9.00	1.2			
24	31.2	960	720	18.00	2.4			

General Data

Electrical Life @ rated load	100K cycles, typical
Mechanical Life	10M cycles, typical
Insulation Resistance	100M Ω min. @ 500VDC
Dielectric Strength, Coil to Contact	500V rms min. @ sea level
Contact to Contact	500V rms min. @ sea level
Shock Resistance	100m/s ² for 11 ms
Vibration Resistance	1.50mm double amplitude 10~40Hz
Terminal (Copper Alloy) Strength	10N
Operating Temperature	-40°C to +85°C
Storage Temperature	-40°C to +155°C
Solderability	260°C for 5 s
Weight	6g

Caution

1. The use of any coil voltage less than the rated coil voltage may compromise the operation of the relay.

Dimensions shown in mm. Dimensions are shown for reference purposes only.

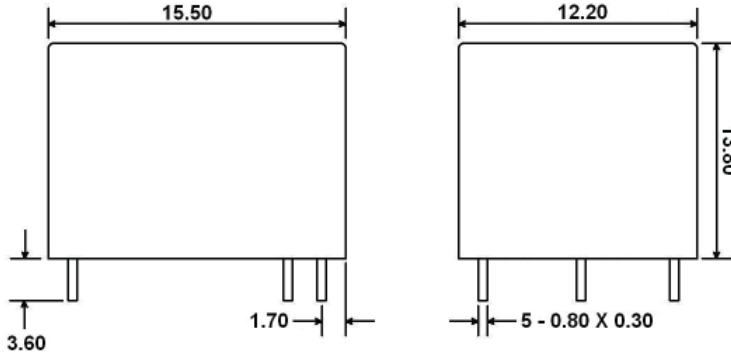
Specifications and availability subject to change without notice.

Ordering Information

1. Series	J118	1C	S	12VDC	.60
J118					
2. Contact Arrangement					
1A = SPST N.O.					
1B = SPST N.C.					
1C = SPDT					
3. Sealing Option					
S = Sealed					
4. Coil Voltage					
6VDC					
9VDC					
12VDC					
24VDC					
5. Coil Power					
.60 = .60W					
.80 = .80W					

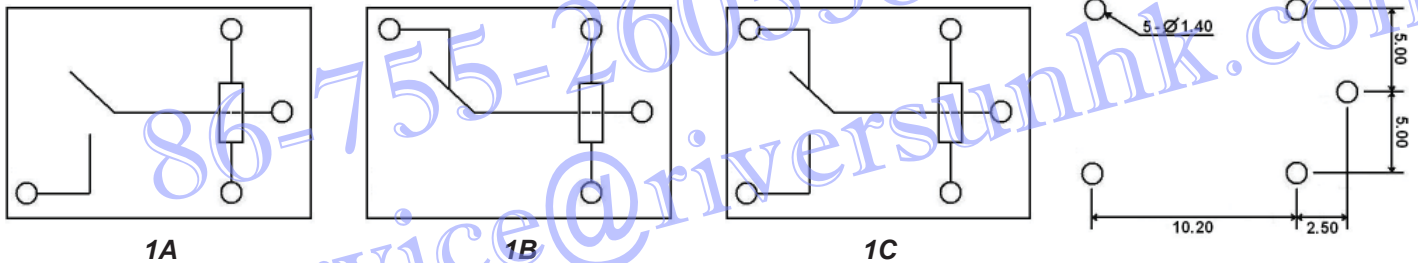
Dimensions

Units = mm



Schematics & PC Layouts

Bottom Views



Specifications and availability subject to change without notice.

Dimensions shown in mm. Dimensions are shown for reference purposes only.