



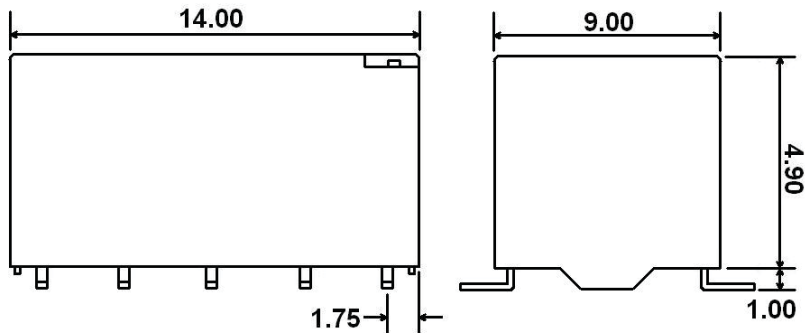
# J850SM

## Ordering Information

1. Series	J850SM	2C	S	6VDC
J850SM				
2. Contact Arrangement	2C = DPDT			
3. Sealing Option	S = Sealed			
4. Operating Function	Blank = Monostable			
5. Coil Voltage	3VDC 4.5VDC 5VDC 6VDC 9VDC 12VDC 24VDC			

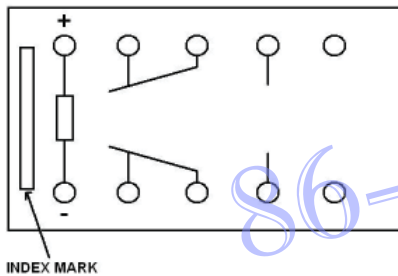
## Dimensions

Units = mm



## Schematics & PC Layouts

Bottom Views



Dimensions shown in mm. Dimensions are shown for reference purposes only.

Specifications and availability subject to change without notice.