

SPECIFICATIONS

Electrical Ratings	5A @ 120 VAC, 28VDC 2A @ 250VAC
Electrical Life	30,000 cycles typical
Contact Resistance	< 20 mΩ max initial @ 2-4VDC, 100mA
Dielectric Strength	1500Vrms min
Insulation Resistance	> 100MΩ min
Operating Temperature	-40°C to 85°C
Storage Temperature	-40°C to 85°C



Process Sealed

UL US - E222871


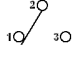
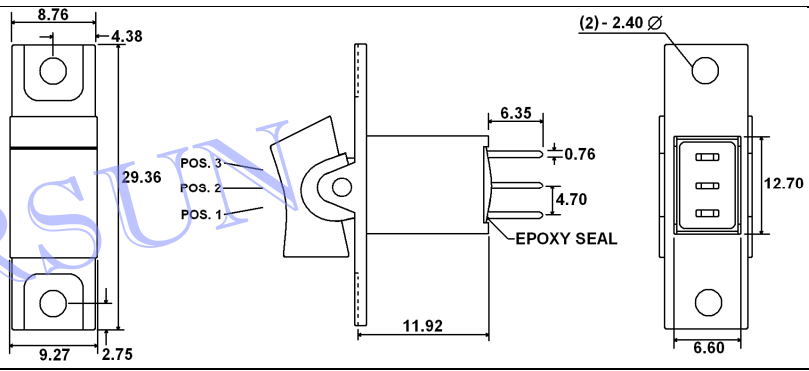
MATERIALS ← **RoHS COMPLIANT**


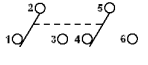
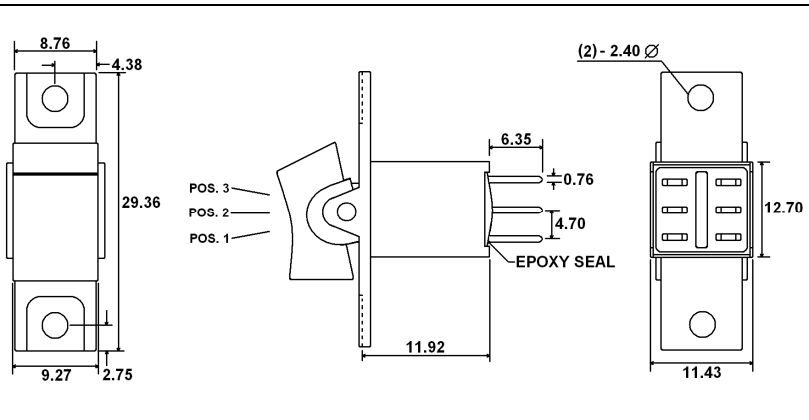
Actuator	6/6 Nylon, Glass Filled, Flame Retardant Heat Stabilized, UL94V-0
Housing	6/6 Nylon, Glass Filled, Flame Retardant Heat Stabilized, UL94V-0
Support Bracket	Brass, Tin Plated
Contacts	Copper Alloy, Silver or Gold Plated
Terminals	Copper Alloy, Silver or Gold Plated


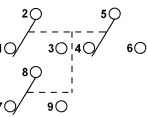
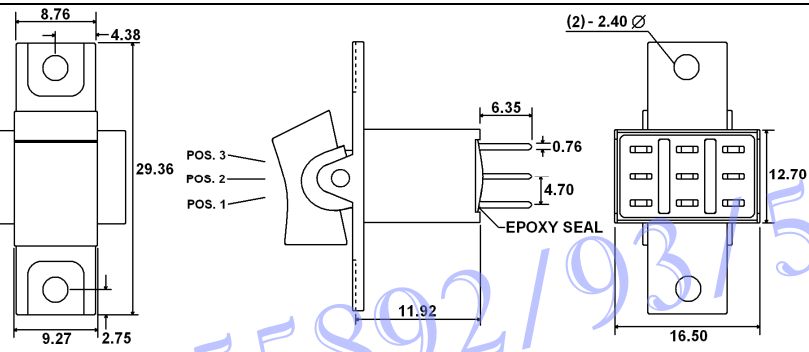
ORDERING INFORMATION

1. Series: ASR	ASR	1	3	R11	2	C	Q
2. Number of Poles: 1 = SPDT 2 = DPDT 3 = 3PDT							
3. Switch Function: 1 = ON-NONE-ON 2 = ON-NONE-(ON) 3 = ON-OFF-ON 4 = (ON)-OFF-(ON) 5 = ON-OFF-(ON) 6 = ON-ON-ON ** See Three Way Wiring Section for Details							
4. Actuator: R11P / R11 = Rocker, PC Mount / Panel Mount R21P / R21 = Rocker, PC Mount / Panel Mount P13P / P13 = Paddle, PC Mount / Panel Mount P23P / P23 = Paddle, PC Mount / Panel Mount R15P = Rocker, PC Mount P43P = Paddle, PC Mount P47P = Paddle, PC Mount P48P = Paddle, PC Mount							
5. Actuator Color: 1 = White 4 = Orange 7 = Blue 2 = Black 5 = Yellow 8 = Brown 3 = Red 6 = Green 9 = Gray							
6. Actuator Marking Style: Blank = No Marking A, B, C, D, E, F, G							
7. Actuator Marking Color: Blank = No Marking, W = White (Standard), B = Black							
8. Terminals: B = Solder Lug, C = PC Pin, -D = Quick Connect H = Horizontal Mount, Right Angle PC Pin; HS = Snap-in V = Vertical Mount, Right Angle PC Pin S20 = PC Pin with Support Bracket; V20 = Snap-in Support Bracket S25 = PC Pin with Support Bracket; V25 = Snap-in Support Bracket							
9. Contacts: Q = Silver Plated R = Gold Plated G = Gold over Silver Plated							

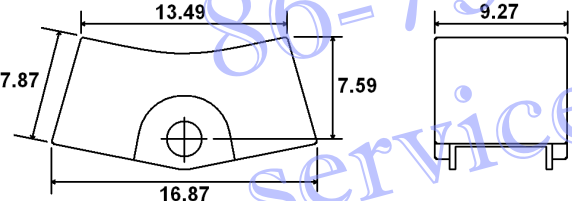
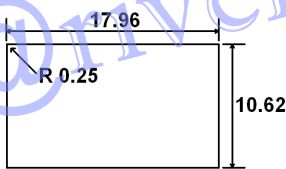
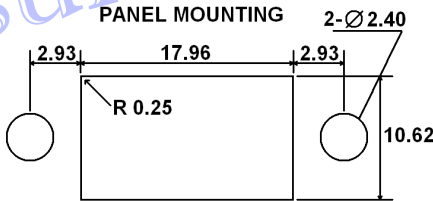
SWITCH FUNCTION

 SPDT	<table border="1"> <thead> <tr> <th rowspan="2">Function</th> <th colspan="3">Toggle Position</th> </tr> <tr> <th></th> <th></th> <th></th> </tr> </thead> <tbody> <tr> <td>1</td> <td>ON</td> <td>NONE</td> <td>ON</td> </tr> <tr> <td>2</td> <td>ON</td> <td>NONE</td> <td>(ON)</td> </tr> <tr> <td>3</td> <td>ON</td> <td>OFF</td> <td>ON</td> </tr> <tr> <td>4</td> <td>(ON)</td> <td>OFF</td> <td>(ON)</td> </tr> <tr> <td>5</td> <td>ON</td> <td>OFF</td> <td>(ON)</td> </tr> </tbody> </table>	Function	Toggle Position						1	ON	NONE	ON	2	ON	NONE	(ON)	3	ON	OFF	ON	4	(ON)	OFF	(ON)	5	ON	OFF	(ON)				<table border="1"> <thead> <tr> <th colspan="3">Toggle Position</th> </tr> <tr> <th></th> <th></th> <th></th> </tr> </thead> <tbody> <tr> <td>2-3</td> <td>---</td> <td>2-1</td> </tr> </tbody> </table>	Toggle Position						2-3	---	2-1	
			Function	Toggle Position																																						
		1	ON	NONE	ON																																					
		2	ON	NONE	(ON)																																					
3	ON	OFF	ON																																							
4	(ON)	OFF	(ON)																																							
5	ON	OFF	(ON)																																							
Toggle Position																																										
2-3	---	2-1																																								
Terminals	2-3	---	2-1																																							

 DPDT	<table border="1"> <thead> <tr> <th rowspan="2">Function</th> <th colspan="3">Toggle Position</th> </tr> <tr> <th></th> <th></th> <th></th> </tr> </thead> <tbody> <tr> <td>1</td> <td>ON</td> <td>NONE</td> <td>ON</td> </tr> <tr> <td>2</td> <td>ON</td> <td>NONE</td> <td>(ON)</td> </tr> <tr> <td>3</td> <td>ON</td> <td>OFF</td> <td>ON</td> </tr> <tr> <td>4</td> <td>(ON)</td> <td>OFF</td> <td>(ON)</td> </tr> <tr> <td>5</td> <td>ON</td> <td>OFF</td> <td>(ON)</td> </tr> </tbody> </table>	Function	Toggle Position						1	ON	NONE	ON	2	ON	NONE	(ON)	3	ON	OFF	ON	4	(ON)	OFF	(ON)	5	ON	OFF	(ON)				<table border="1"> <thead> <tr> <th colspan="3">Toggle Position</th> </tr> <tr> <th></th> <th></th> <th></th> </tr> </thead> <tbody> <tr> <td>2-3</td> <td>---</td> <td>2-1</td> </tr> <tr> <td>6</td> <td>ON</td> <td>ON</td> <td>ON</td> </tr> <tr> <td>Terminals</td> <td>2-3</td> <td>2-3</td> <td>2-1</td> </tr> <tr> <td></td> <td>5-6</td> <td>5-4</td> <td>5-4</td> </tr> </tbody> </table>	Toggle Position						2-3	---	2-1	6	ON	ON	ON	Terminals	2-3	2-3	2-1		5-6	5-4	5-4	
			Function	Toggle Position																																																		
		1	ON	NONE	ON																																																	
		2	ON	NONE	(ON)																																																	
3	ON	OFF	ON																																																			
4	(ON)	OFF	(ON)																																																			
5	ON	OFF	(ON)																																																			
Toggle Position																																																						
2-3	---	2-1																																																				
6	ON	ON	ON																																																			
Terminals	2-3	2-3	2-1																																																			
	5-6	5-4	5-4																																																			
Terminals	2-3	---	2-1																																																			
	5-6	5-4	5-4																																																			

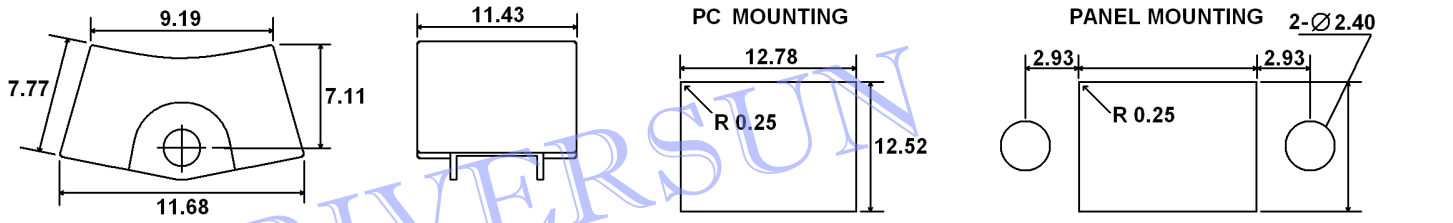
 3PDT	<table border="1"> <thead> <tr> <th rowspan="2">Function</th> <th colspan="3">Toggle Position</th> </tr> <tr> <th></th> <th></th> <th></th> </tr> </thead> <tbody> <tr> <td>1</td> <td>ON</td> <td>NONE</td> <td>ON</td> </tr> <tr> <td>2</td> <td>ON</td> <td>NONE</td> <td>(ON)</td> </tr> <tr> <td>3</td> <td>ON</td> <td>OFF</td> <td>ON</td> </tr> <tr> <td>4</td> <td>(ON)</td> <td>OFF</td> <td>(ON)</td> </tr> <tr> <td>5</td> <td>ON</td> <td>OFF</td> <td>(ON)</td> </tr> </tbody> </table>	Function	Toggle Position						1	ON	NONE	ON	2	ON	NONE	(ON)	3	ON	OFF	ON	4	(ON)	OFF	(ON)	5	ON	OFF	(ON)				<table border="1"> <thead> <tr> <th colspan="3">Toggle Position</th> </tr> <tr> <th></th> <th></th> <th></th> </tr> </thead> <tbody> <tr> <td>2-3</td> <td>---</td> <td>2-1</td> </tr> <tr> <td>Terminals</td> <td>5-6</td> <td>5-4</td> <td>5-4</td> </tr> <tr> <td></td> <td>8-9</td> <td>8-7</td> <td>8-7</td> </tr> </tbody> </table>	Toggle Position						2-3	---	2-1	Terminals	5-6	5-4	5-4		8-9	8-7	8-7	
			Function	Toggle Position																																														
		1	ON	NONE	ON																																													
		2	ON	NONE	(ON)																																													
3	ON	OFF	ON																																															
4	(ON)	OFF	(ON)																																															
5	ON	OFF	(ON)																																															
Toggle Position																																																		
2-3	---	2-1																																																
Terminals	5-6	5-4	5-4																																															
	8-9	8-7	8-7																																															
Terminals	5-6	---	5-4																																															
	8-9	8-7	8-7																																															

ACTUATOR OPTIONS (PC MOUNT / PANEL MOUNT)
R11P / R11

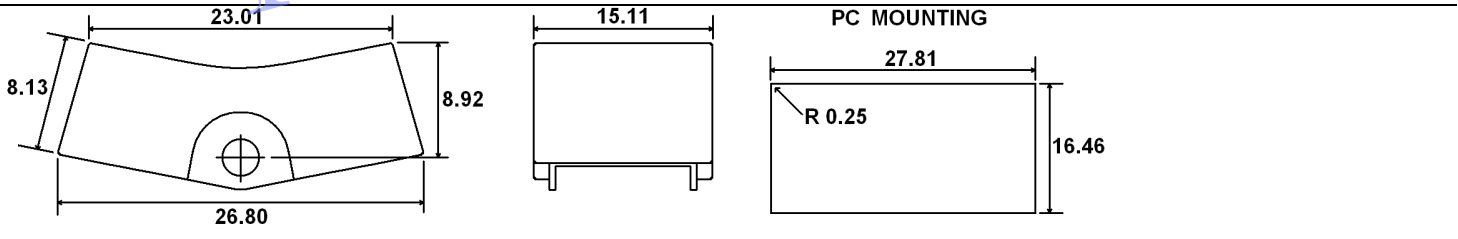
	<p>PC MOUNTING</p> 	<p>PANEL MOUNTING</p> 
	<p>13.49</p> <p>7.87</p> <p>16.87</p> <p>7.59</p> <p>9.27</p>	<p>17.96</p> <p>R 0.25</p> <p>10.62</p>

ACTUATOR OPTIONS (PC MOUNT / PANEL MOUNT)

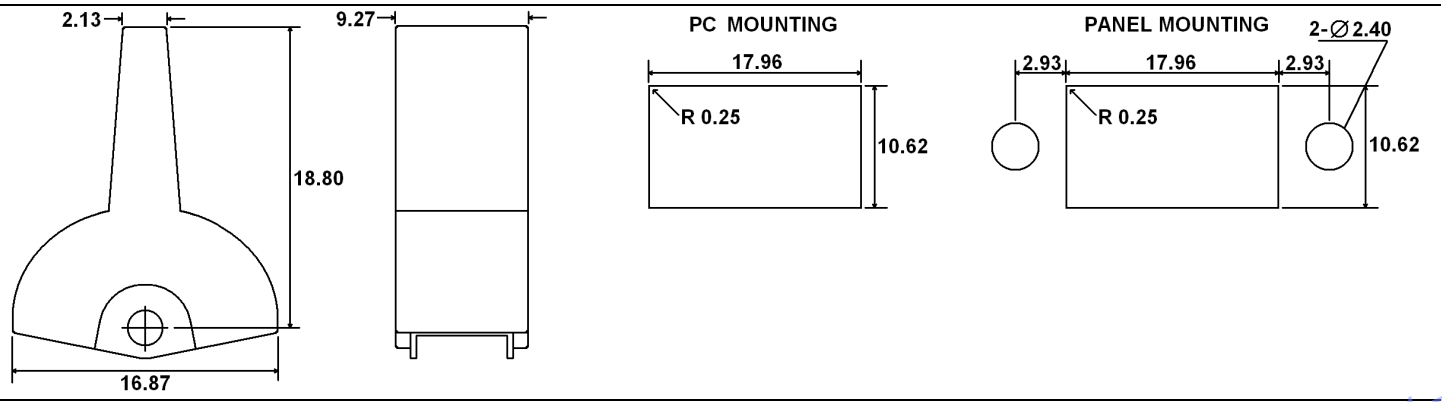
R21P / R21



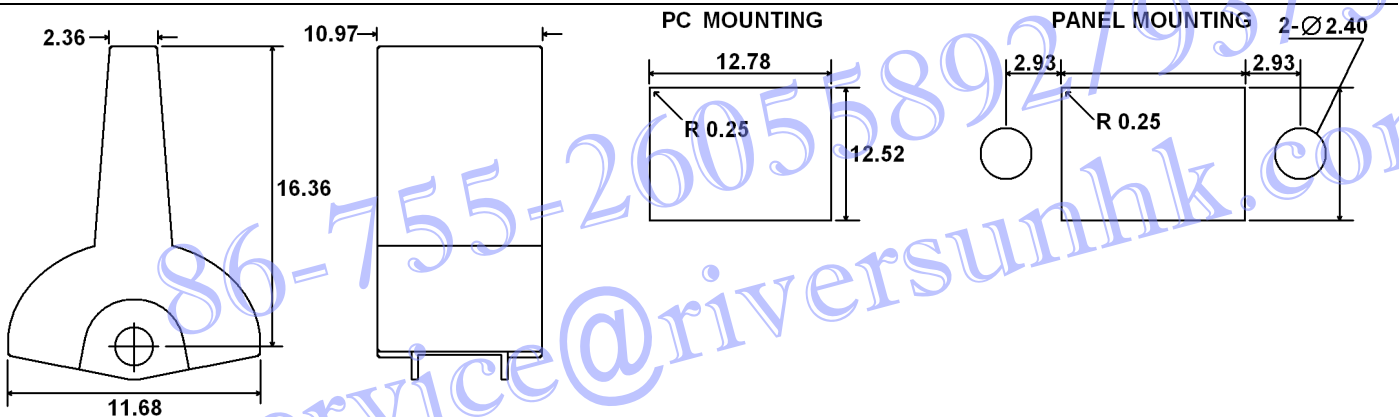
R15P



P13P / P13



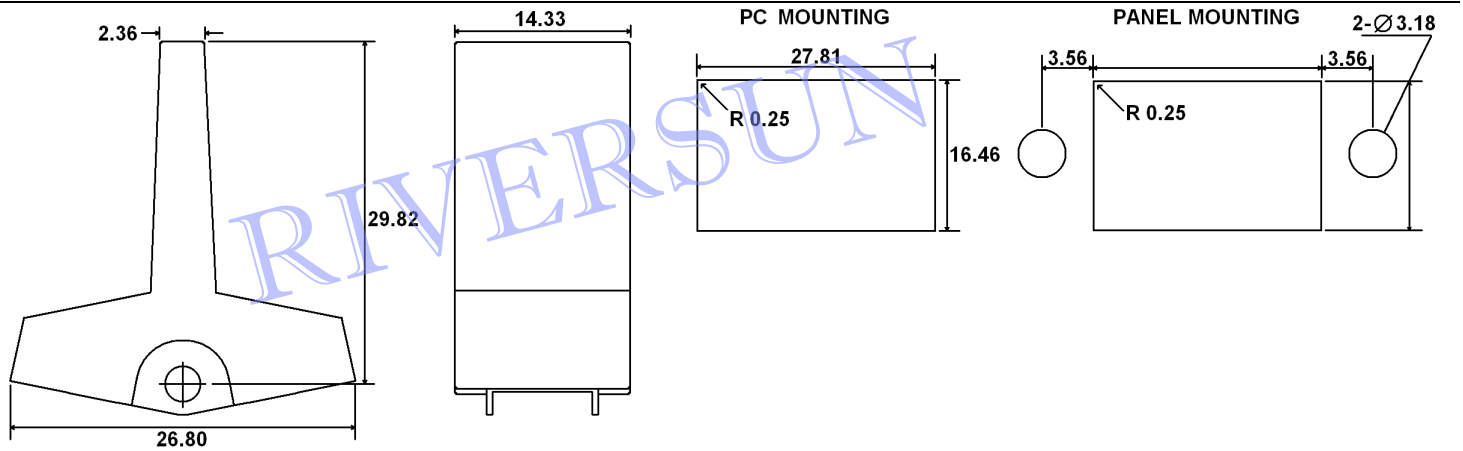
P23P / P23



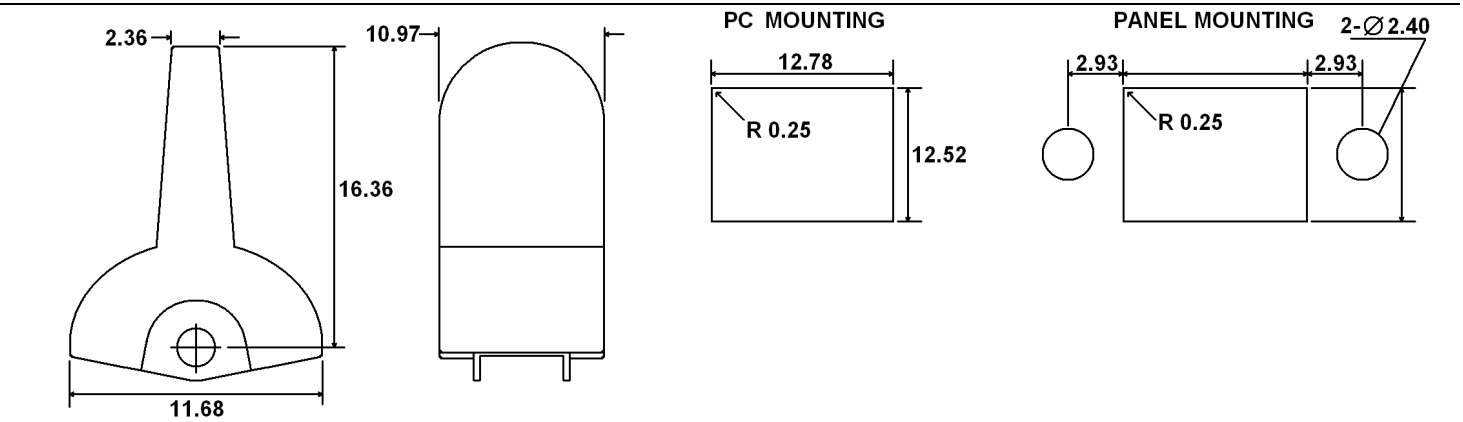
86-755-26055892/93/51
 service@riversunhk.com

ACTUATOR OPTIONS (PANEL MOUNT / PC MOUNT)

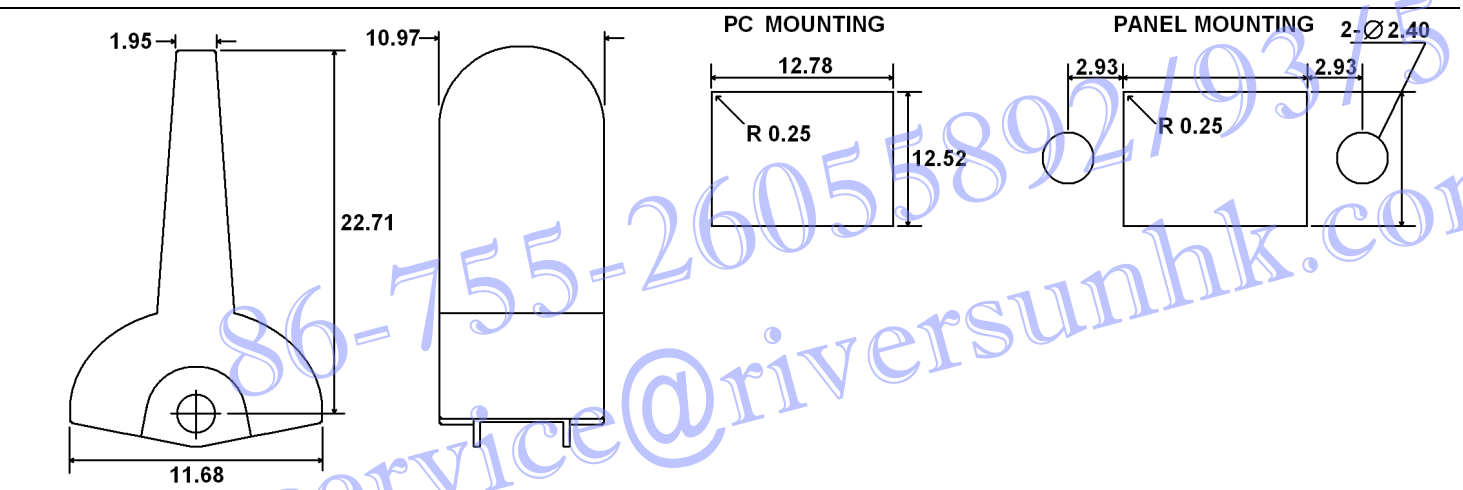
P43P



P47P

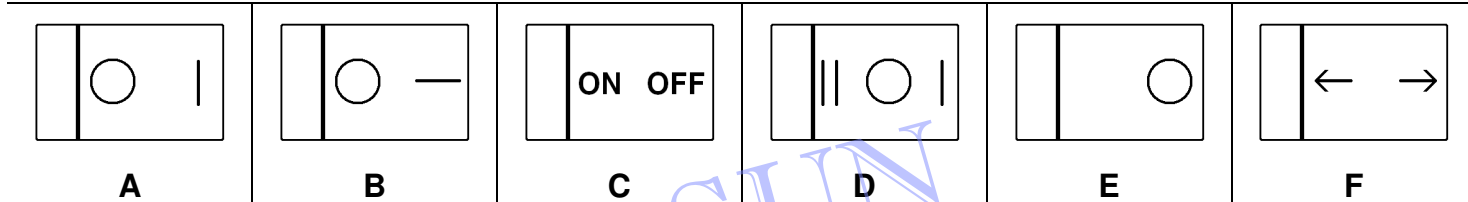


P48P

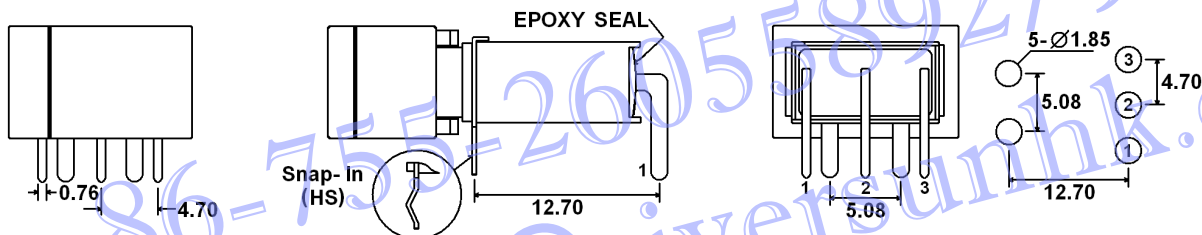
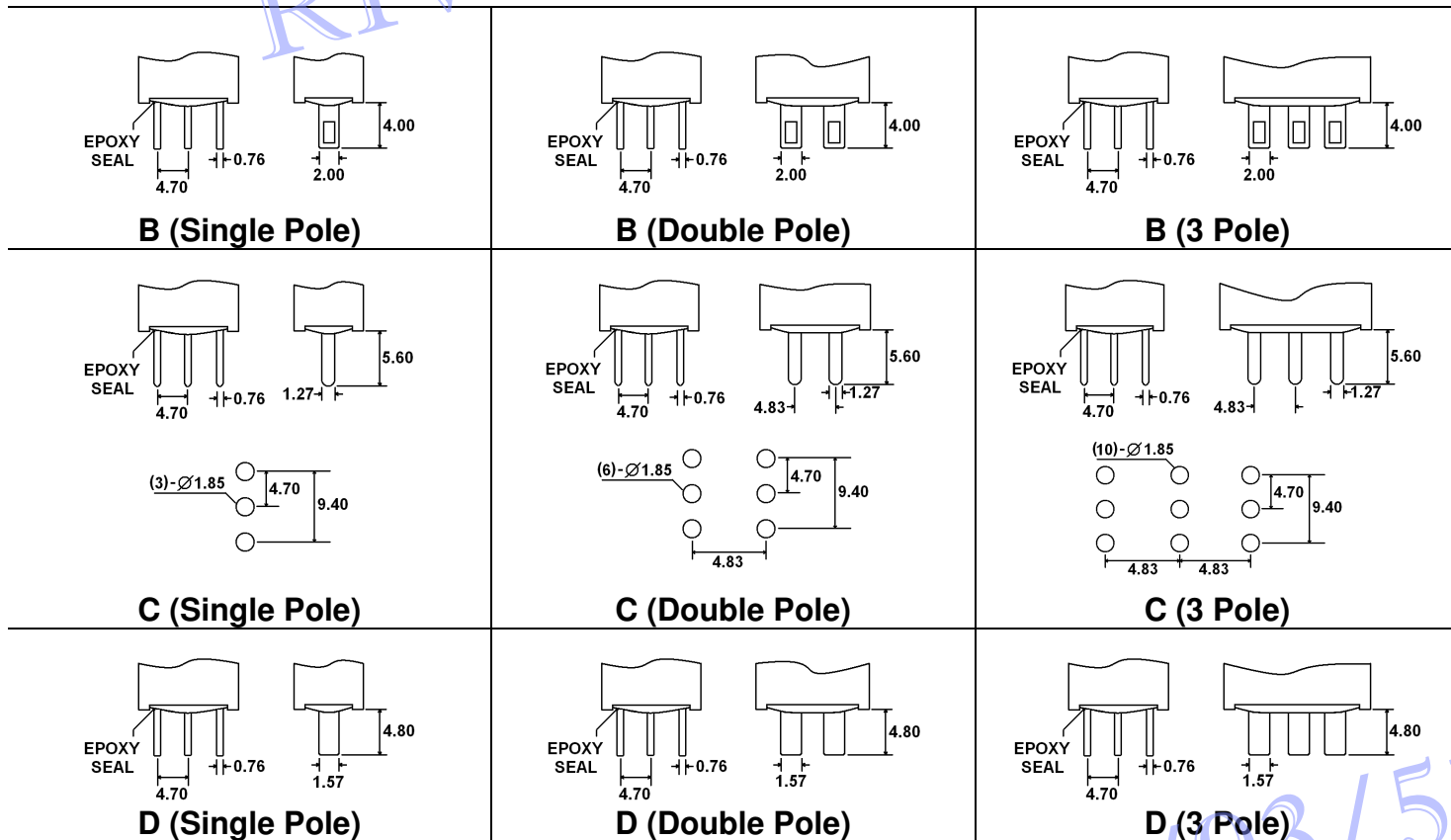


86-755-26055892/93751
 service@riversunhk.com

ACTUATOR MARKINGS

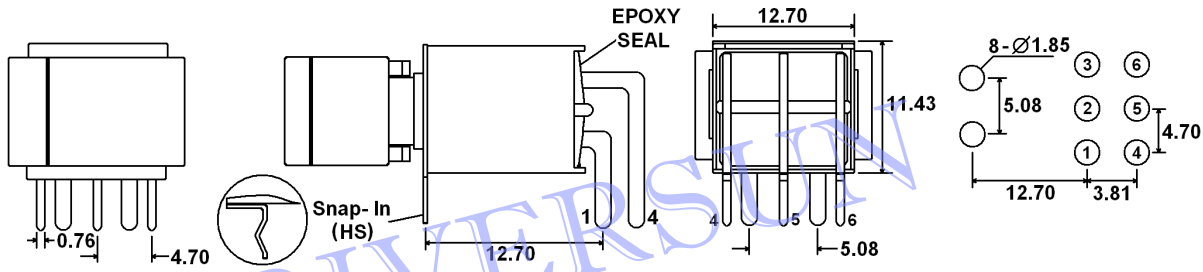


TERMINAL OPTIONS

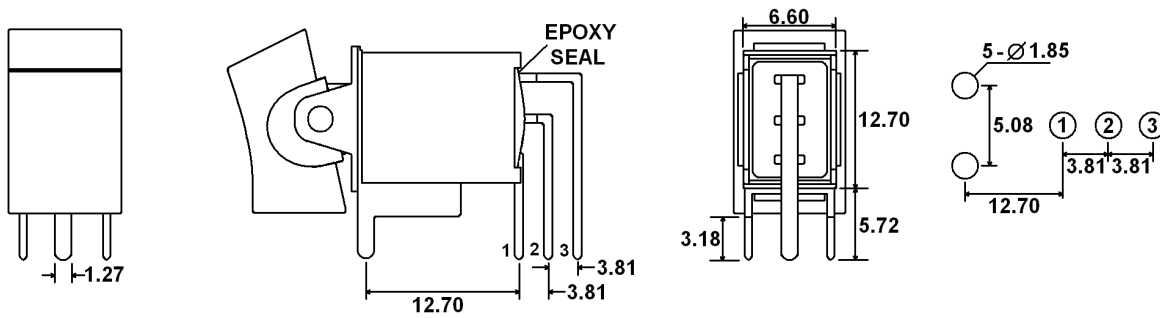


H (HS – Snap-in) = Horizontal Mount, Right Angle PC Pins (Single Pole)

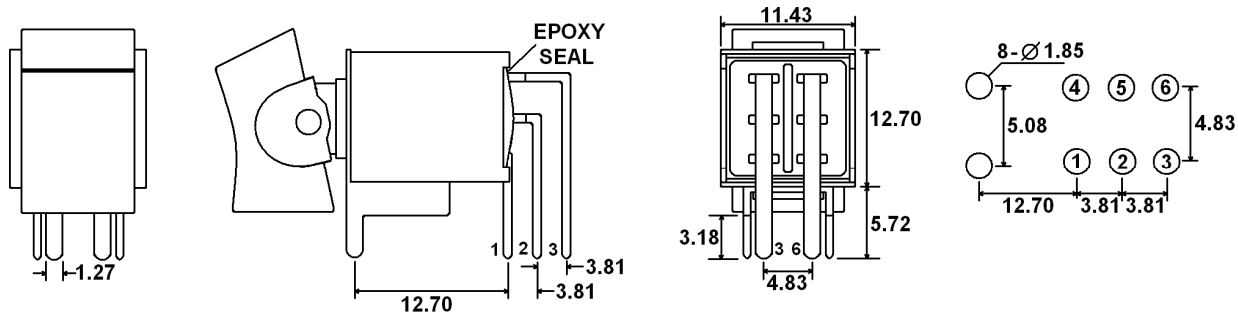
TERMINAL OPTIONS



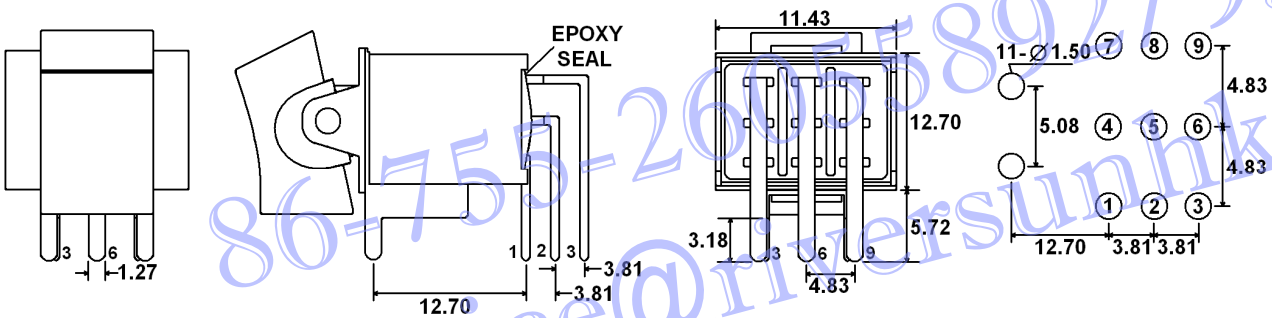
H (HS – Snap-in) = Horizontal Mount, Right Angle PC Pins (Double Pole)



V = Vertical Mount, Right Angle PC Pins (Single Pole)

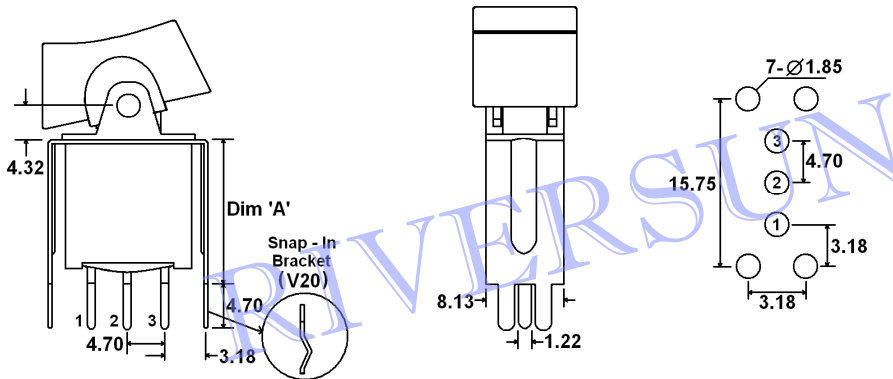


V = Vertical Mount, Right Angle PC Pins (Double Pole)



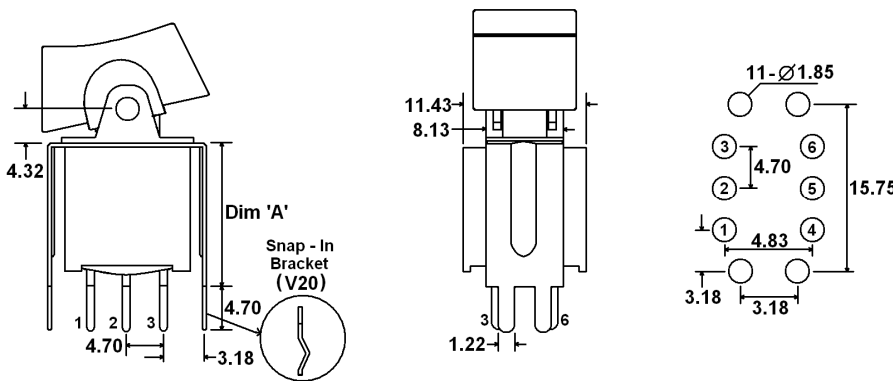
V = Vertical Mount, Right Angle PC Pins (Three Pole)

TERMINAL OPTIONS



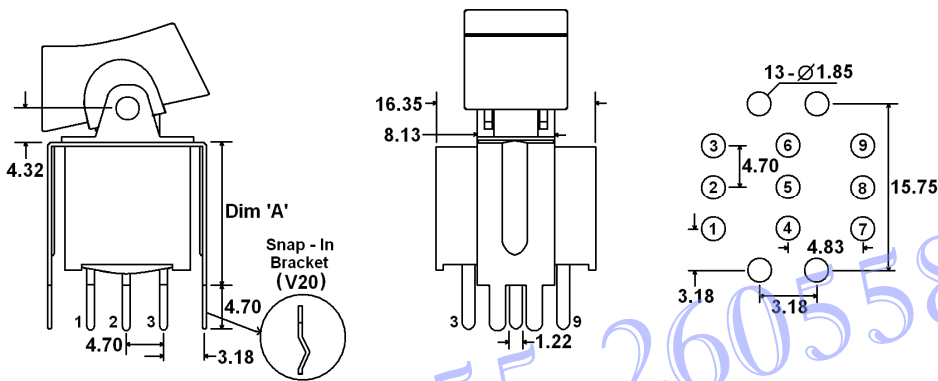
Terminal Option	"A" Dimension
S20-V20	11.68
S25-V25	16.00

S20/S25 (V20/V25 – Snap-in Bracket) = PC Pins with Support Bracket (Single Pole)



Terminal Option	"A" Dimension
S20-V20	11.68
S25-V25	16.00

S20/S25 (V20/V25 – Snap-in Bracket) = PC Pins with Support Bracket (Double Pole)



Terminal Option	"A" Dimension
S20-V20	11.68
S25-V25	16.00

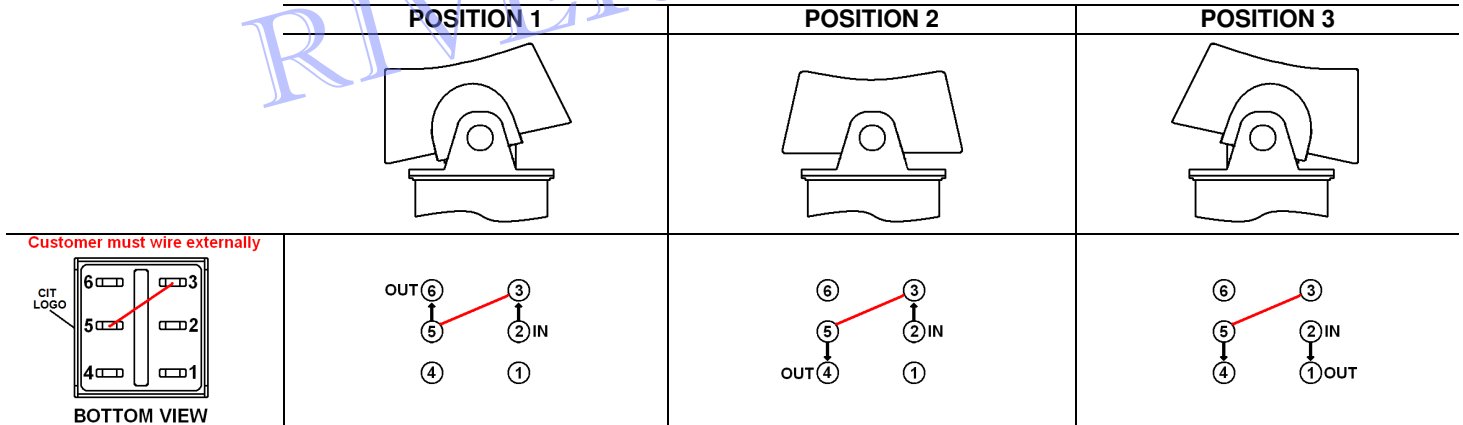
S20/S25 (V20/V25 – Snap-in Bracket) = PC Pins with Support Bracket (Three Pole)

86-755-26055892/93/51
service@riversunbhk.com

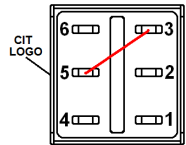
CONTACT OPTIONS

Designator	Contact Material	Terminal Material	Electrical Ratings
Q	Silver Plating	Silver Plating	5A @ 120VAC, 28VDC; 2A @ 250VAC
R	Gold over Nickel Plating	Gold over Nickel Plating	.4 VA max @ 20VAC or VDC max
G	Gold over Silver Plating	Gold over Silver Plating	.4 VA max @ 20VAC or VDC max or 5A @ 120VAC, 28VDC; 2A @ 250VAC

THREE WAY WIRING DIAGRAM



Customer must wire externally



BOTTOM VIEW

86-755-26055892/93/51
 service@riversunhk.com