



- Wide variety of applications from industrial to consumer products
- Single pole single throw with 250VAC neon lamp or 24VDC tungsten lamp
- Quick connect termination
- Full or dot illumination
- Numerous choices in illumination colors and markings

Specifications

Switch Function	SPST
Electrical Ratings	UL 61058-1 15A @ 125VAC General Purpose 10A @ 250VAC General Purpose
Electrical Life	10,000 cycles typical

Contact Resistance	≤ 50mΩ initial
Dielectric Strength	1500Vrms min
Insulation Resistance	≥ 100MΩ min
Operating Temperature	-20°C to 70°C
Storage Temperature	-20°C to 70°C

Materials

Base	6/6 Nylon
Housing	6/6 Nylon
Actuator	6/6 Nylon or Polycarbonate
Actuator Lens	Polycarbonate (PC)
Contacts	Silver Alloy
Terminals	Brass, Silver Plated

86-755-26055892/93/51
service@riversunhk.com

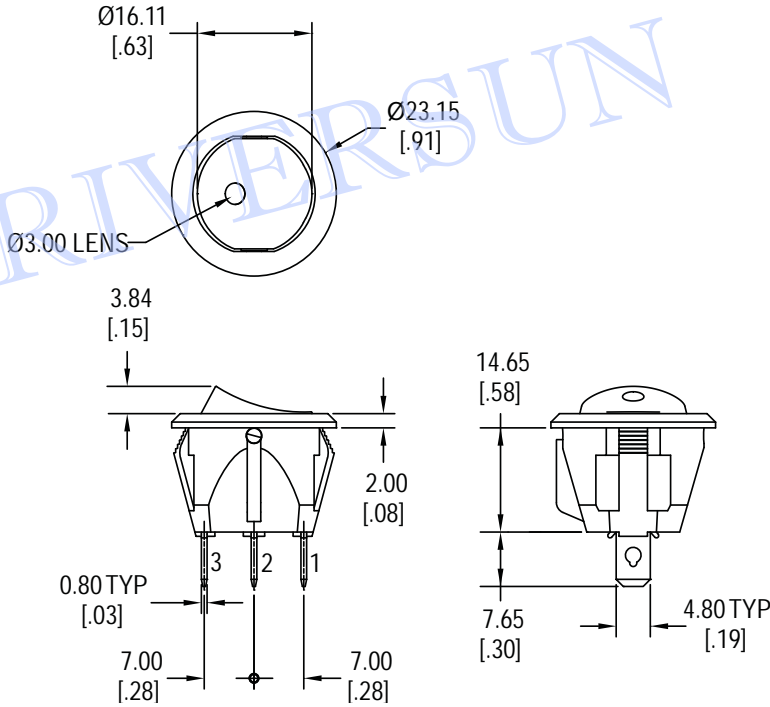
RR3



Neon / Tungsten Lamp Illuminated Round Rocker

Ordering Information

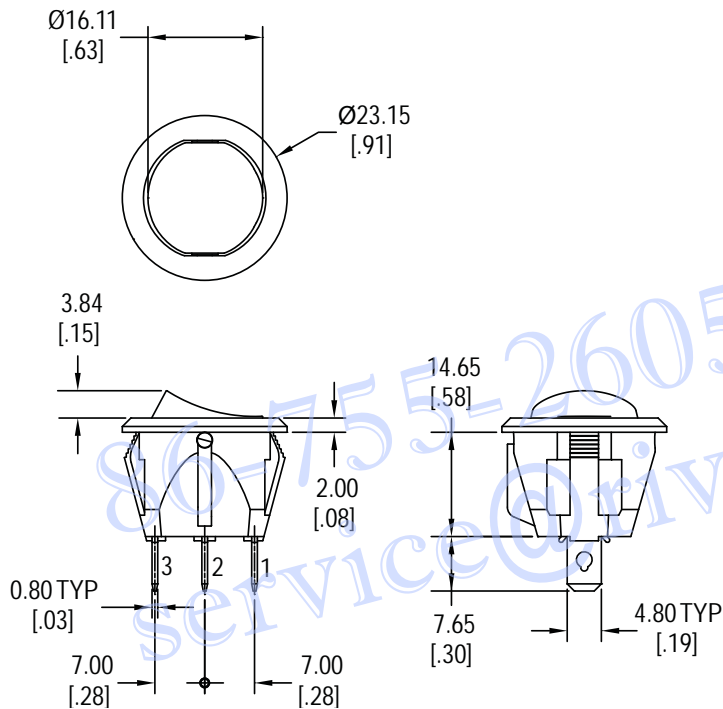
1. Series	RR3	1	1	2	23T	FB	C	N17
RR3								
2. Number of Poles								
1 = Single Pole								
3. Switch Function								
1 = OFF - ON								
4. Housing Color								
1 = White								
2 = Black								
9 = Gray								
5a. Solid Actuator Color with Lens	<i>**Requires lens color choice below</i>							
1 = White	4 = Yellow	7 = Blue						
2 = Black	5 = Green	8 = Purple						
3 = Red	6 = Orange	9 = Gray						
Lens Color								
0T = Clear (Transparent)	5T = Red (Transparent)							
3T = Red (Transparent)	7T = Blue (Transparent)							
4T = Yellow (Transparent)								
5b. Transparent Actuator Color:								
1 = White	4 = Yellow	7 = Blue						
2 = Black	5 = Green	8 = Purple						
3 = Red	6 = Orange	9 = Gray						
6. Actuator Marking	<i>**Requires marking color choice below</i>							
A	E							
B	F							
C	G							
D	K							
Actuator Marking Color								
Blank = No Marking								
B = Black								
W = White								
R = Red								
7. Terminal Option								
C = .187" Quick Connect / Solder Lug								
8a. Lamp Options								
N1 = 125VAC Neon Lamp	<i>**Requires lamp color choice below</i>							
N2 = 250VAC Neon Lamp	<i>**Requires lamp color choice below</i>							
Neon Lamp Colors								
0 = standard lamp								
5 = Green								
7 = Blue								
8b. Lamp Options								
T12 = 12VDC Tungsten Lamp								
T24 = 24VDC Tungsten Lamp								

Dimensions



		
Function	Position 1	Position 2
1	OFF	ON
Terminals	--	1 ~ 2

Solid Actuator with Lens

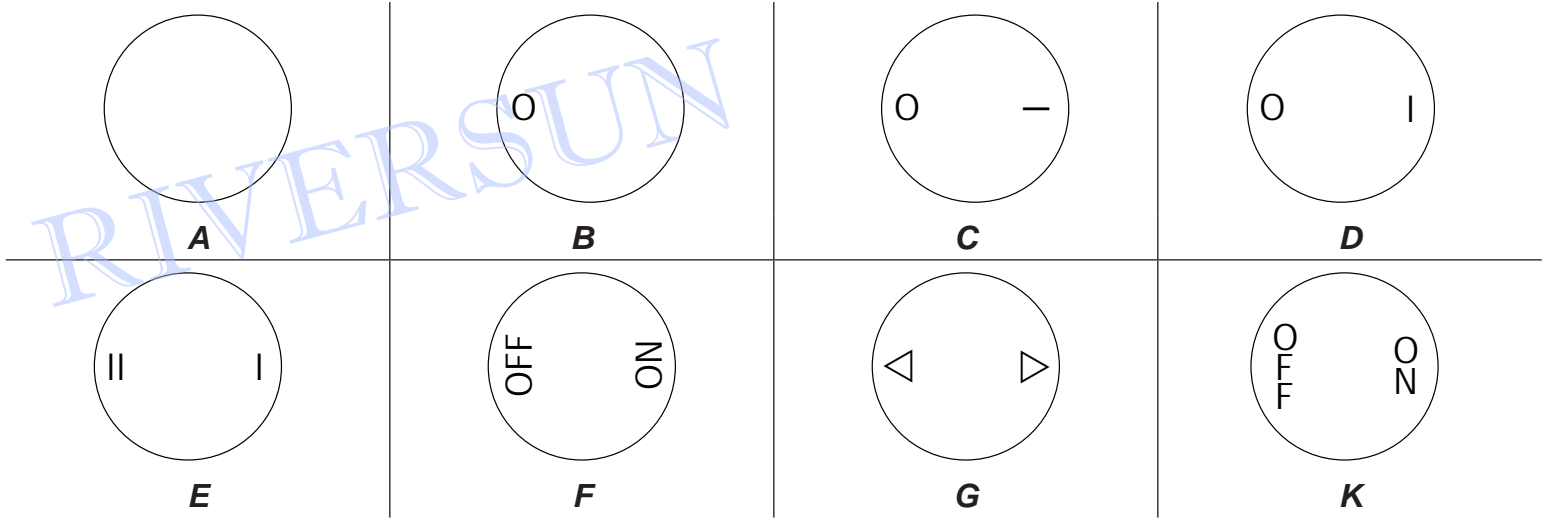


Transparent Actuator

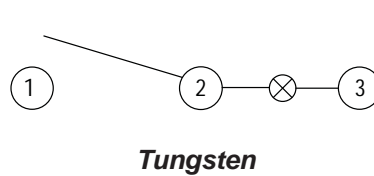
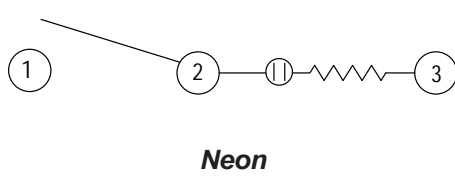
RR3

Neon / Tungsten Lamp Illuminated Round Rocker

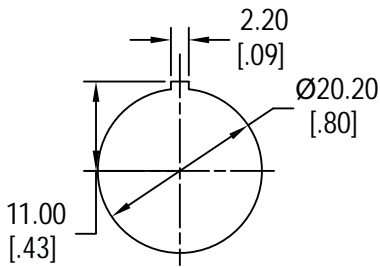
Actuator Marking Options



Schematics

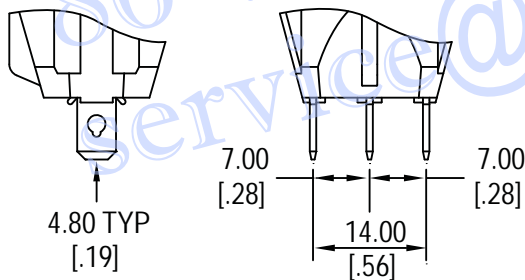


Panel Cut Out



Panel cut out material thickness : 0.8mm ~ 3.0mm

Terminal Options



C