

4A Series

Sealed Sub Miniature Rocker Switches



SPECIFICATIONS

CONTACT RATING: Dependent upon contact material See Page 73.

MECHANICAL LIFE: 30,000 make-and-break cycles.

CONTACT RESISTANCE: 20mΩ max. initial @ 2-4VDC

100mA for both silver and gold plated contacts.

INSULATION RESISTANCE: 1,000 MΩ min.

DIELECTRIC STRENGTH: 1,000 Vrms min. @ sea level.

OPERATING TEMPERATURE: -30°C to 85°C.

MATERIALS

CASE & BUSHING : Glass filled nylon 6/6, flame retardant, heat stabilized (UL94V-0).

ACTUATOR: Nylon, black std. Internal O-ring seal standard with all actuators.

SWITCH SUPPORT: Brass or steel, tin plated.

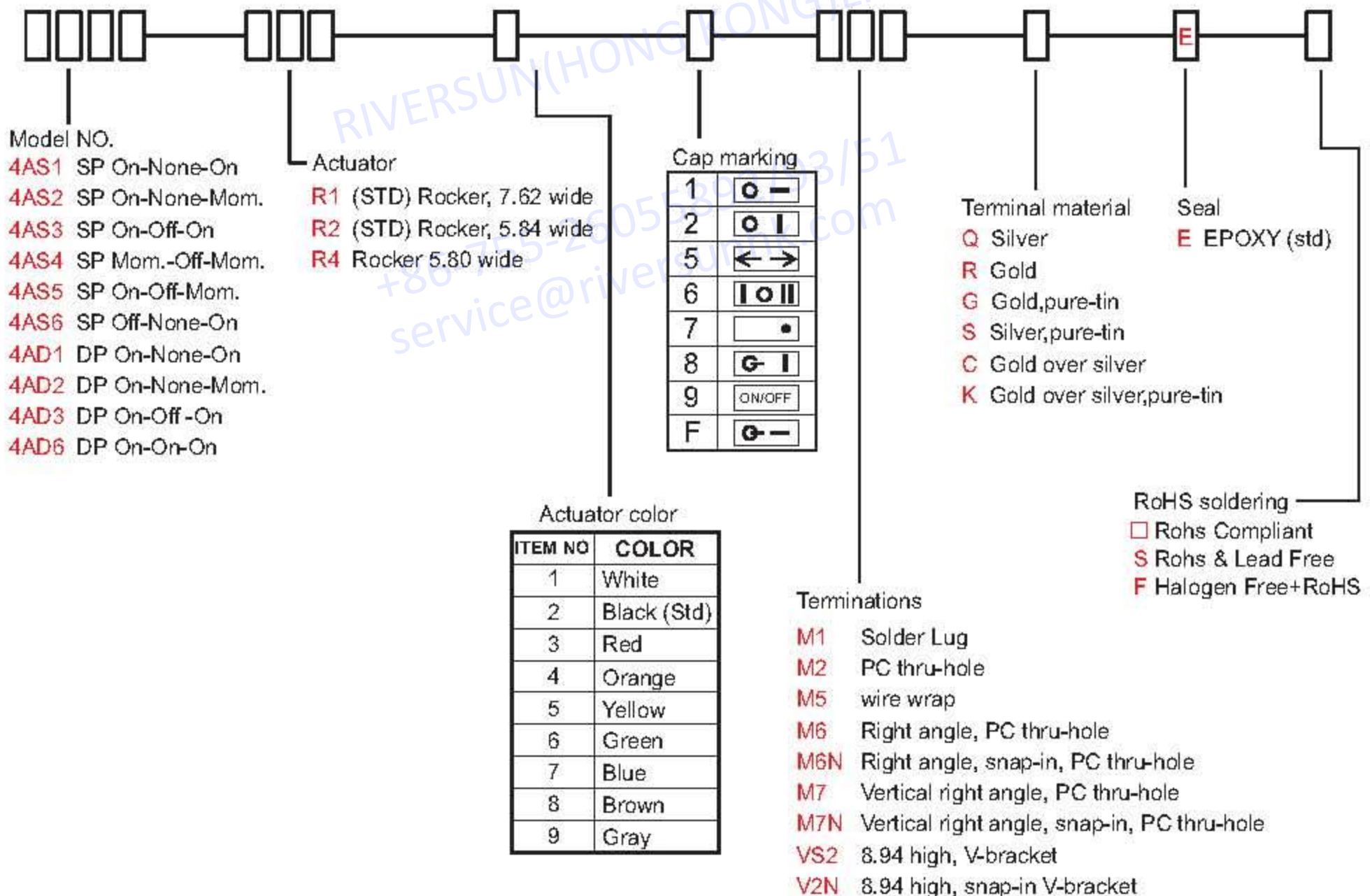
TERMINAL/CONTACT: Silver or gold plated copper alloy.
(See Page 73)



4A
Rocker Switches

HOW TO ORDER

MODEL NO. ACTUATOR ACTUATOR COLOR CAP MARKING TERMINATIONS TERMINAL MATERIAL SEAL RoHS SOLDERING



SWITCH FUNCTION

NO. POLES	UL/CSA MODEL NO.	MODEL NO.	SWITCH FUNCTION			CONNECTED TERMINALS / SCHEMATIC			
			POS.1	POS.2	POS.3	POS.1	POS.2	POS.3	
SP	Q24A11	4AS1	ON	NONE	ON	2-3	N/A	2-1	
	Q24A12	4AS2	ON	NONE	MOM				OPEN
	Q24A13	4AS3	ON	OFF	ON				
	Q24A14	4AS4	MOM	OFF	MOM				
	Q24A15	4AS5	ON	OFF	MOM				
	Q24A16	4AS6	OFF	NONE	ON	OPEN	N/A	3-1	
DP	Q24A21	4AD1	ON	NONE	ON	2-3,5-6	N/A	2-1,5-4	
	Q24A22	4AD2	ON	NONE	MOM				OPEN
	Q24A23	4AD3	ON	OFF	ON				
	Q24A26	4AD6	ON	ON	ON	2-3,5-6		2-3,5-4	2-1,5-4

MOM=MOMENTARY

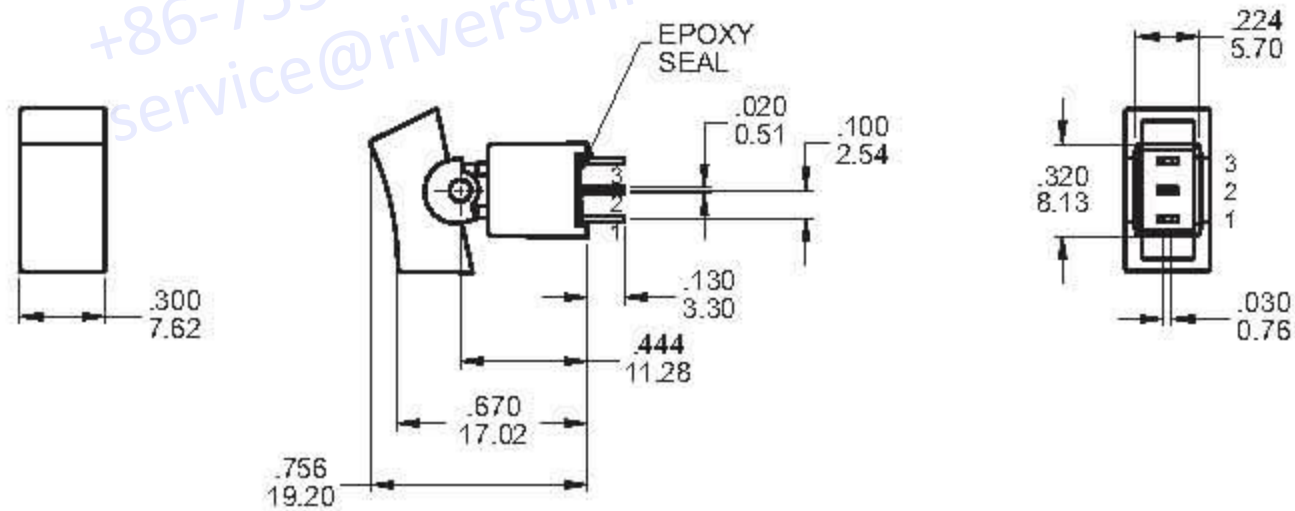
▲ Please check the availability in advance before order

POLE OPTIONS



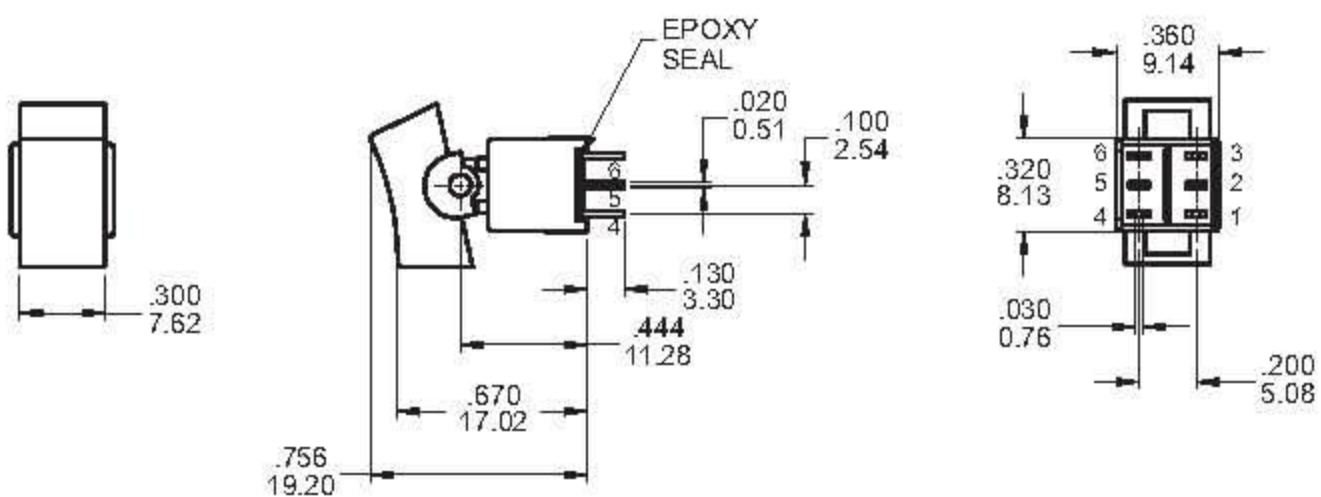
SPDT

Part No. Shown : 4AS1R102M2RE



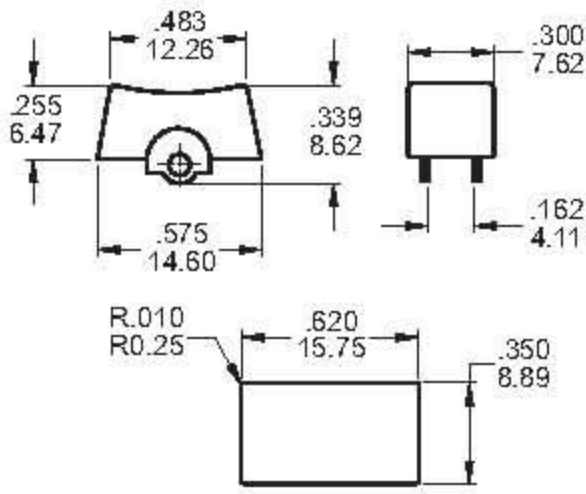
DPDT

Part No. Shown : 4AD1R102M2QE



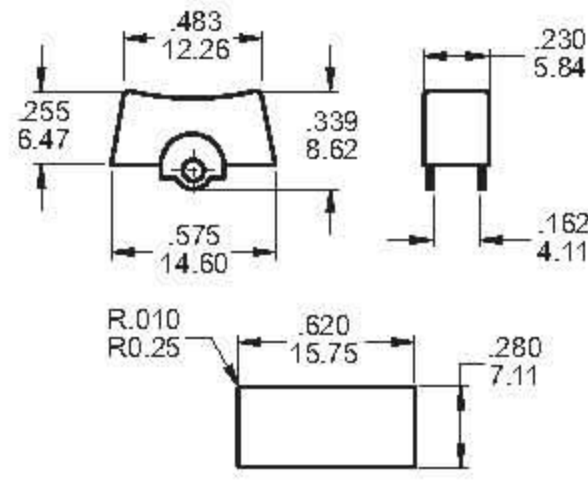
ACTUATOR OPTIONS - PANEL MOUNT

R1



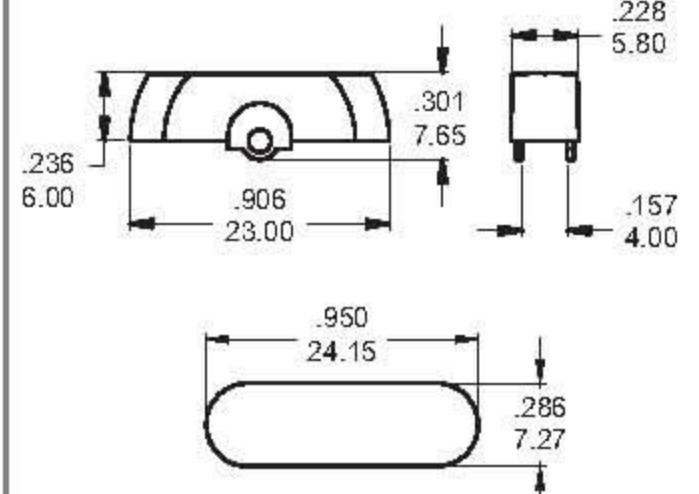
PANEL MOUNTING - R1

R2



PANEL MOUNTING - R2

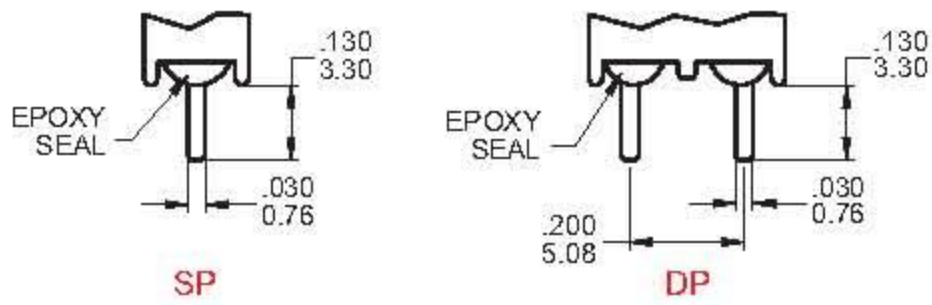
R4



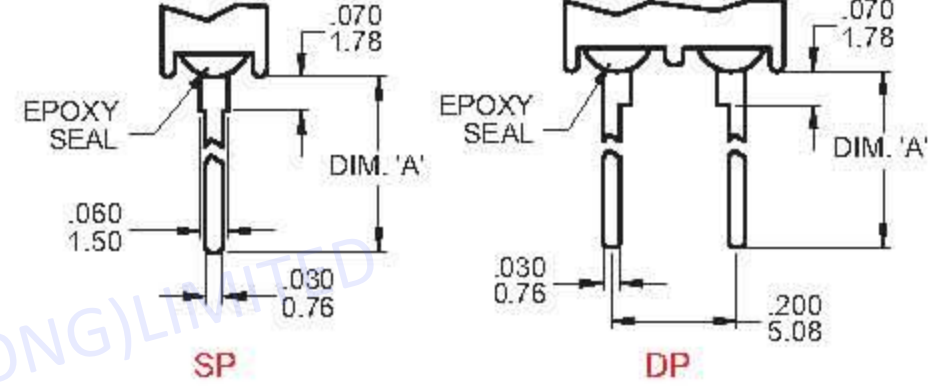
PANEL MOUNTING - R4

TERMINATION OPTIONS

M2 PC Thru-hole



M5 Wire Wrap

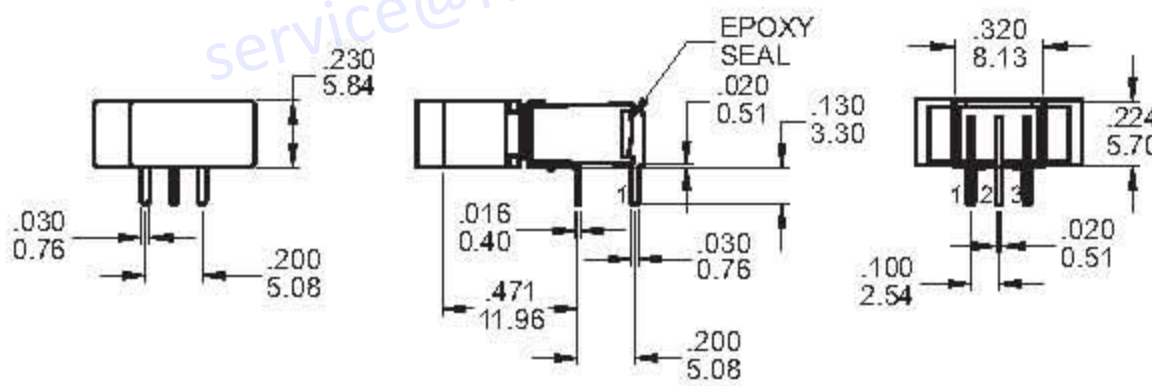


OTHER TERMINATION OPTIONS

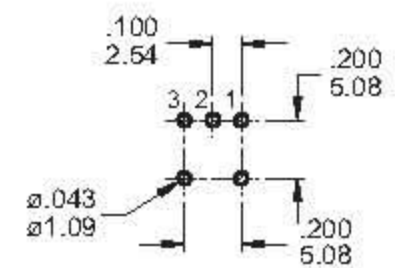
- M6** RIGHT ANGLE P.C. MOUNT
- M7** RIGHT ANGLE P.C. MOUNT
- VS2** VERTICAL BRACKET P.C. MOUNT
- VS3** VERTICAL BRACKET P.C. MOUNT

OPTION CODE	DIM. 'A'
M5-1	.614 (15.60)
M5-2	.236 (6.00)

M6



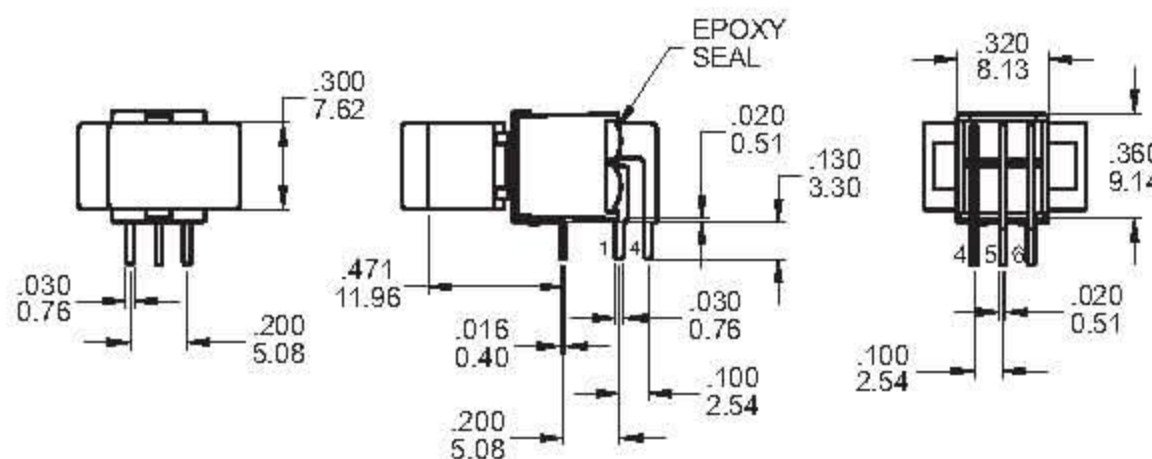
P.C. MOUNTING



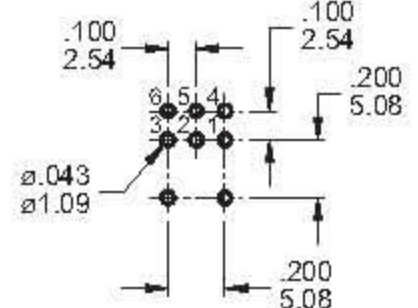
SPDT

Part No. Shown : 4AS1R202M6QE

M6



P.C. MOUNTING



DPDT

Part No. Shown : 4AD1R102M6QE

