



**Feature -**

bi-color LED illuminated available  
SPDT, right angle terminal

**Application -**

consumer products  
computer products  
instrumentation  
communication equipments

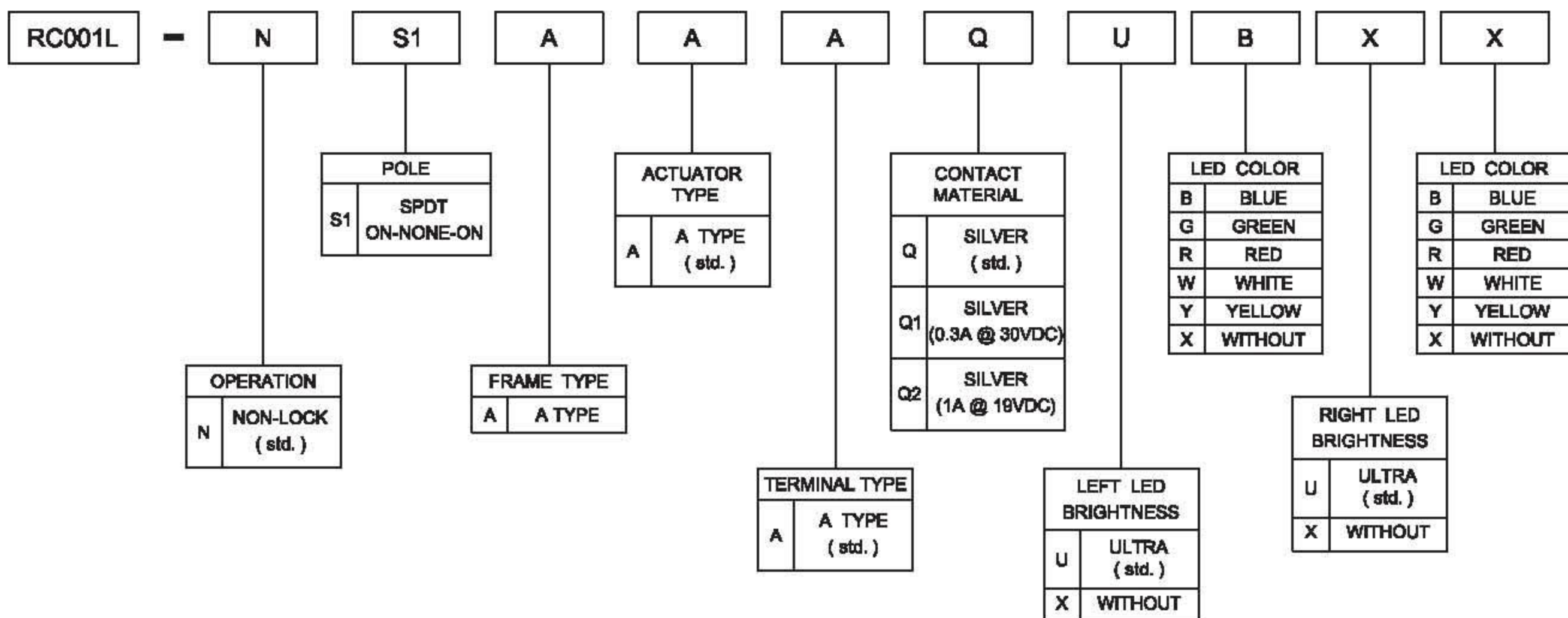
► **SPECIFICATIONS**

SWITCH SPECIFICATIONS	
POLE - POSITION	SPDT ON - NONE - ON
CONTACT RATING	3Amps with resistive load @ 125VAC or 28VDC
CONTACT RESISTANCE	20 mΩ max. 1.5 V DC ; 100 mA , by Method of Voltage DROP
INSULATION RESISTANCE	1000 MΩ min. 500 V DC
DIELECTRIC STRENGTH	Breakdown is not Allowable ; 1000 V AC for 1 Minute
OPERATING FORCE	300 ± 100 gf
OPERATING LIFE	10,000 cycles
OPERATING TEMPERATURE RANGE	-30°C - 85°C
TOTAL TRAVEL	2.2 ± 0.3 mm

LED SPECIFICATIONS		Value / LED Color				
ATTENTION LEDs are Electrostatic Sensitive devices	Unit	Blue	Green	Red	Yellow	
		FORWARD CURRENT	If	mA	20	20
REVERSE VOLTAGE	Vr	V	5.0	5.0	5.0	5.0
REVERSE CURRENT	Ir	μA	10	10	10	10
FORWARD VOLTAGE@20mA	Vf	V	3.3-4.0	2.1-2.5	2.0-2.5	2.0-2.5
LUMINOUS INTENSITY@20mA	Iv	mcad	1300	700	900	700

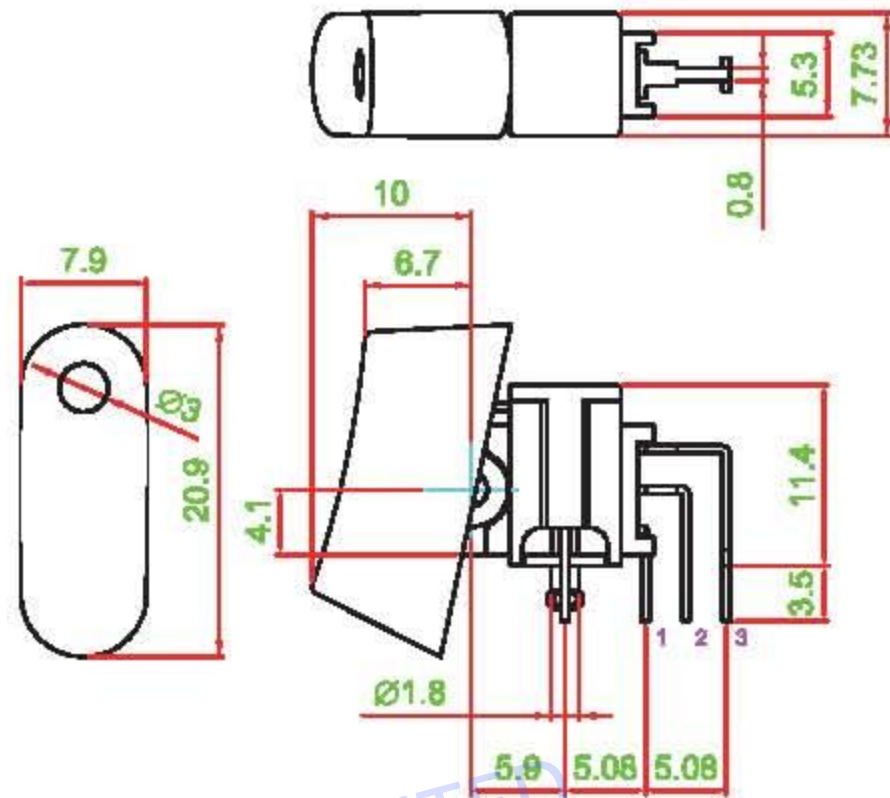
■ Physical and electrical information of LED will be provided upon customer's request on switches .

► **HOW TO ORDER**

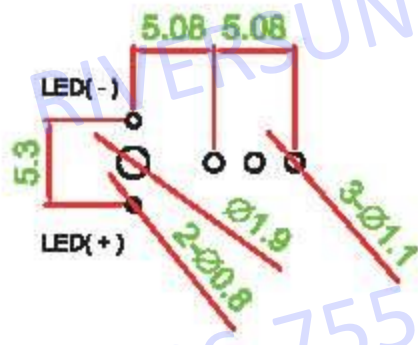


► DIMENSION

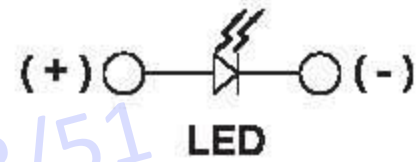
RC001L-NS1AAAQ□□□□



► P.C.B LAYOUT



► SCHEMATIC



SCHEMATIC	
Model	Position
1 2 3	1 2 3

► MATERIAL

- ACTUATOR : PA + GF
- TERMINAL : BRONZE SILVER PLATING
- FRAME : PA + GF
- SPRING : STAINLESS STEEL
- KNOB : PC
- CONTACT : PHOSPHOR BRONZE

► PANEL MOUNTING

