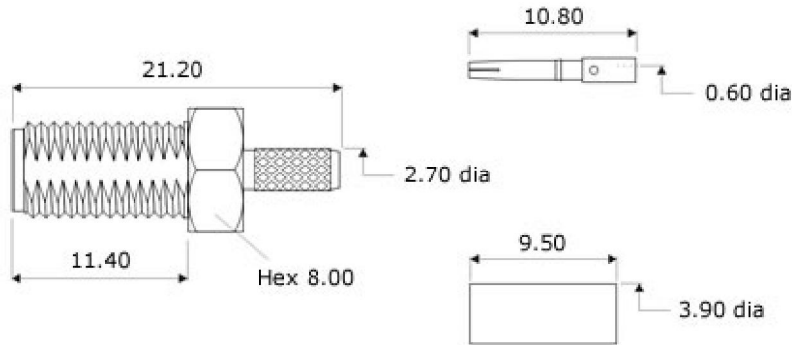


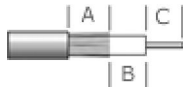
**Part Number: MA10-0174-C01**



■ Details and Specifications

Description	SMA Crimp Jack, Gold Plated
To Fit Cable Types	AMC-174, LBC100, LMR100, RG174, RG188, RG316, WBC100
Body	Brass, Gold Plated
Contact	Beryllium Copper, Gold Plated
Ferrule	Brass, Gold Plated
Cable Retention	Equal to breaking strain of cable
Dielectric Withstanding	750 Volts RMS Maximum
Durability	500 mating cycles
Impedance	50 ohms
Max. Frequency	12.4 GHz
Temperature Range	-65 to +165 degrees C
Working Voltage	335 Volts RMS Maximum

■ Assembly Information

Strip Dimensions	A=7mm, B=2.5mm, C=2.5mm
Cable Preparation	
Crimp Tooling	GCT-D316 PCC0308
Crimp Hex. Sizes	3.25mm Hex., Solder centre core