

**SPECIFICATIONS**

Switch Function	SPDT
Electrical Ratings	200mA @ 30VDC
Electrical Life	10,000 cycles typical
Contact Resistance	< 50 mΩ initial
Actuation Force	200 +/- 100gF
Actuator Travel	2.0 mm total
Dielectric Strength	1000Vrms min
Insulation Resistance	> 100MΩ min
Operating Temperature	-40°C to 85°C
Storage Temperature	-40°C to 85°C



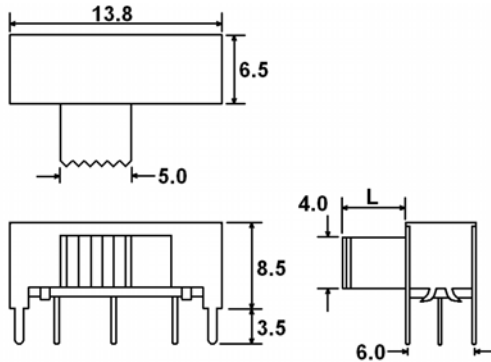
**MATERIALS** ← RoHS COMPLIANT

Actuator	Acetal
Housing	Steel
Base	Phenolic
Contacts	Phosphor Bronze, Silver Plated
Terminals	Brass, Silver Plated

**ORDERING INFORMATION**

<b>1. Series:</b>	<b>MS1224</b>	<b>L9</b>
MS1224		
<b>2. Actuator Length:</b>	L9 = 9mm	

**DIMENSIONS**



**SCHEMATIC & PC LAYOUT**

