

**SPECIFICATIONS**

Switch Function	SPDT
Electrical Ratings	300mA @ 6VDC
Electrical Life	10,000 cycles typical
Contact Resistance	< 50 mΩ initial
Actuation Force	200 +/- 50gF
Actuator Travel	2.0 mm total
Dielectric Strength	1000Vrms min
Insulation Resistance	> 100MΩ min
Operating Temperature	-40°C to 85°C
Storage Temperature	-40°C to 85°C



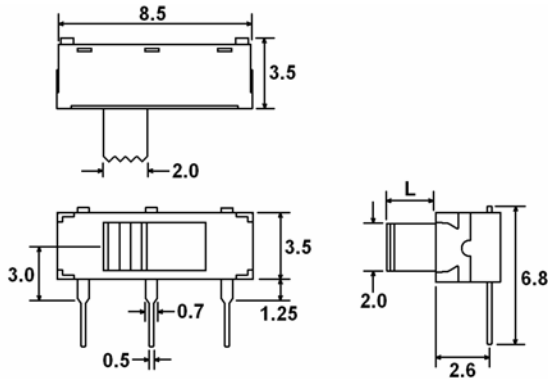
**MATERIALS** ←RoHS COMPLIANT

Actuator	Acetal
Housing	6/6 Nylon
Cover	Stainless Steel
Contacts	Phosphor Bronze, Silver Plated
Terminals	Brass, Silver Plated

**ORDERING INFORMATION**

<b>1. Series:</b>	<b>MS1270</b>	<b>L2</b>
	MS1270	
<b>2. Actuator Length:</b>		
	L2 = 2.0mm	
	L4.4 = 4.4mm	

**DIMENSIONS**



**SCHEMATIC & PC LAYOUT**

