

**SS001L SERIES**  
LED SLIDE SWITCH



**Feature -**


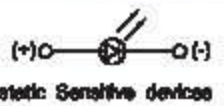
- compact size
- reflow soldering available
- LED illuminated

**Application -**

- consumer products
- computer products
- Instrumentation
- communication equipments
- hand-held devices

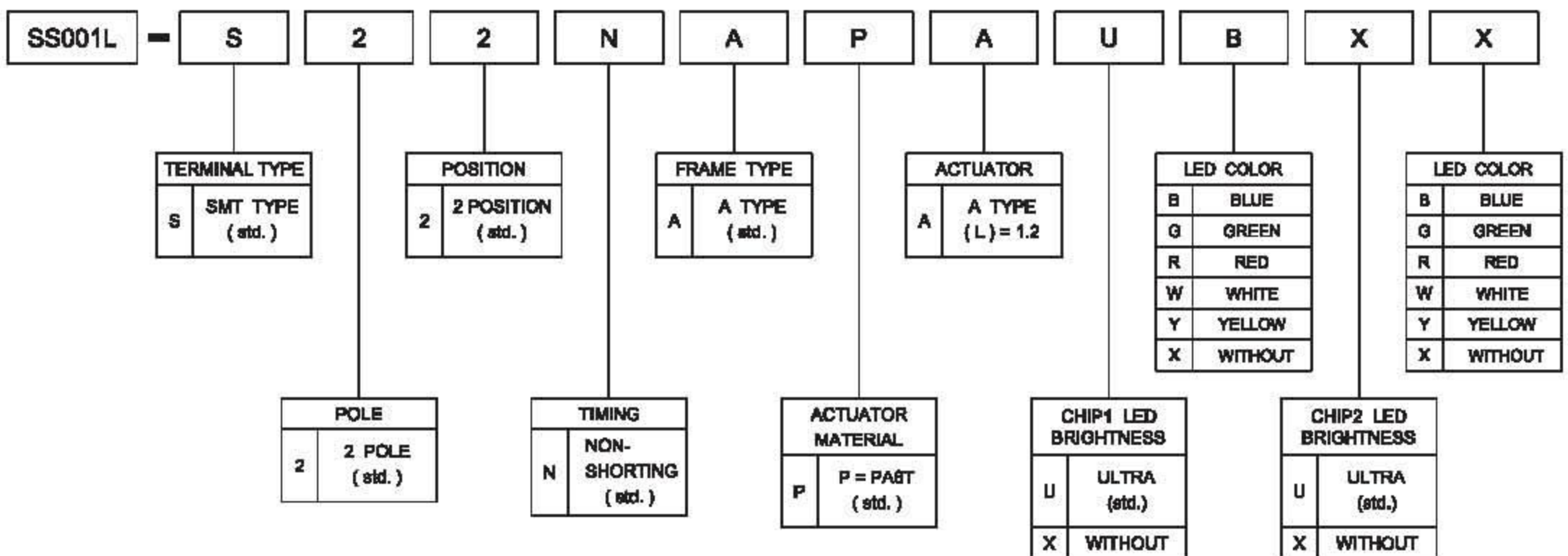
► **SPECIFICATIONS**

SWITCH SPECIFICATIONS	
POLE - POSITION	2P2T , SMT TYPE
CONTACT RATING	8 V DC , 0.3 A
CONTACT RESISTANCE	50 mΩ MAX. 1.5 V DC ; 100 mA , by Method of Voltage DROP
INSULATION RESISTANCE	100 MΩ MIN. 500 V DC
DIELECTRIC STRENGTH	Breakdown is not Allowable ; 500 V AC for 1 Minute
OPERATING FORCE	200 ± 150gf
OPERATING LIFE	10,000 cycles
OPERATING TEMPERATURE RANGE	-20°C ~ 70°C
TOTAL TRAVEL	2.0 ± 0.2 mm

LED SPECIFICATIONS					
 <b>ATTENTION</b> LEDs are Electrostatic Sensitive devices		Unit	Value / LED Color		
			Ultra Green	Ultra Yellow	Ultra Red
FORWARD CURRENT	$I_f$	mA	20	20	20
REVERSE VOLTAGE	$V_r$	V	5.0	5.0	5.0
REVERSE CURRENT	$I_r$	μA	10	10	10
FORWARD VOLTAGE@20mA	$V_f$	V	2.1-2.5	2.0-2.5	2.0-2.5
LUMINOUS INTENSITY@20mA	$I_v$	md	80	120	150

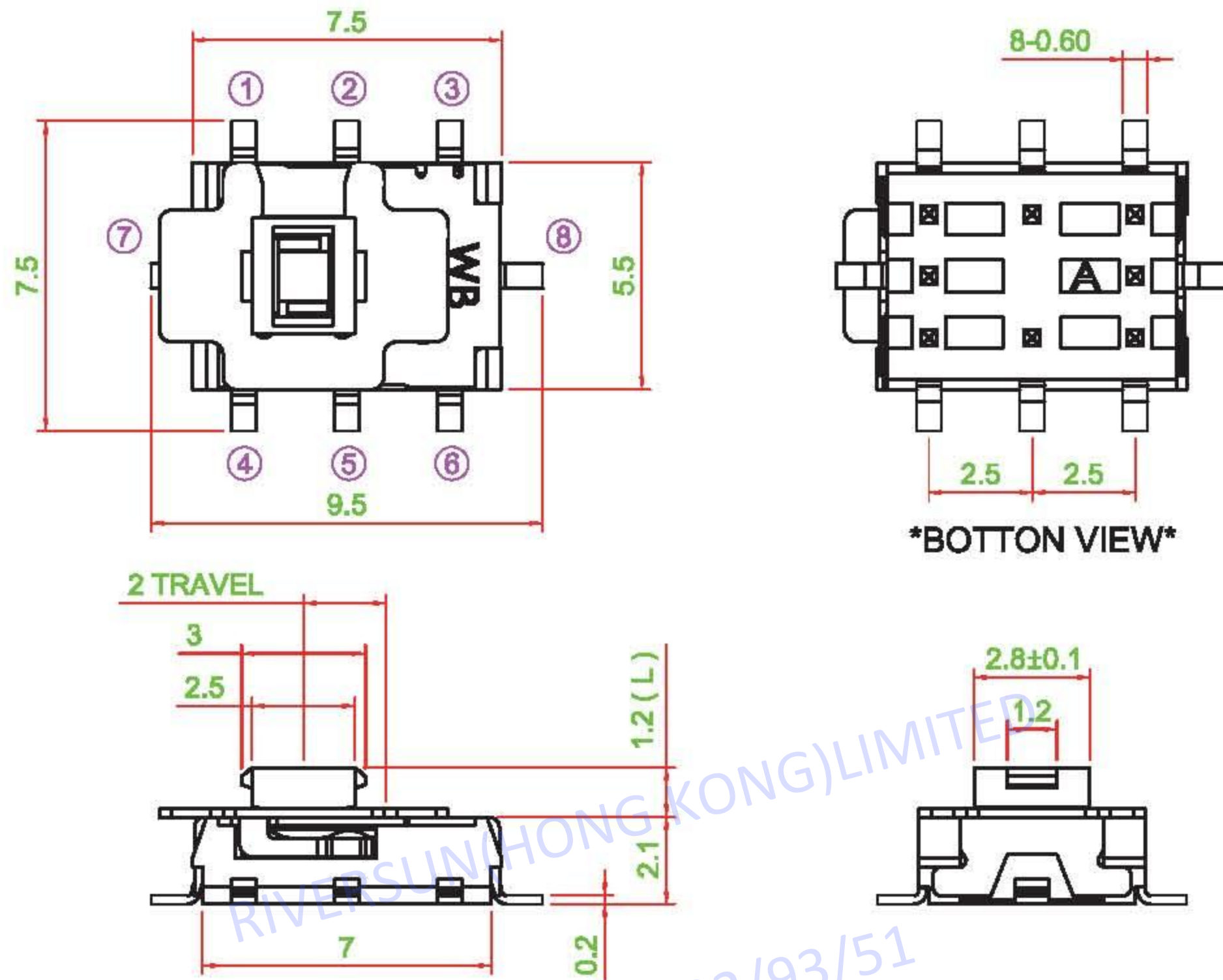
■ Physical and electrical information of LED will be provided upon customer's request on switches .

► **HOW TO ORDER**

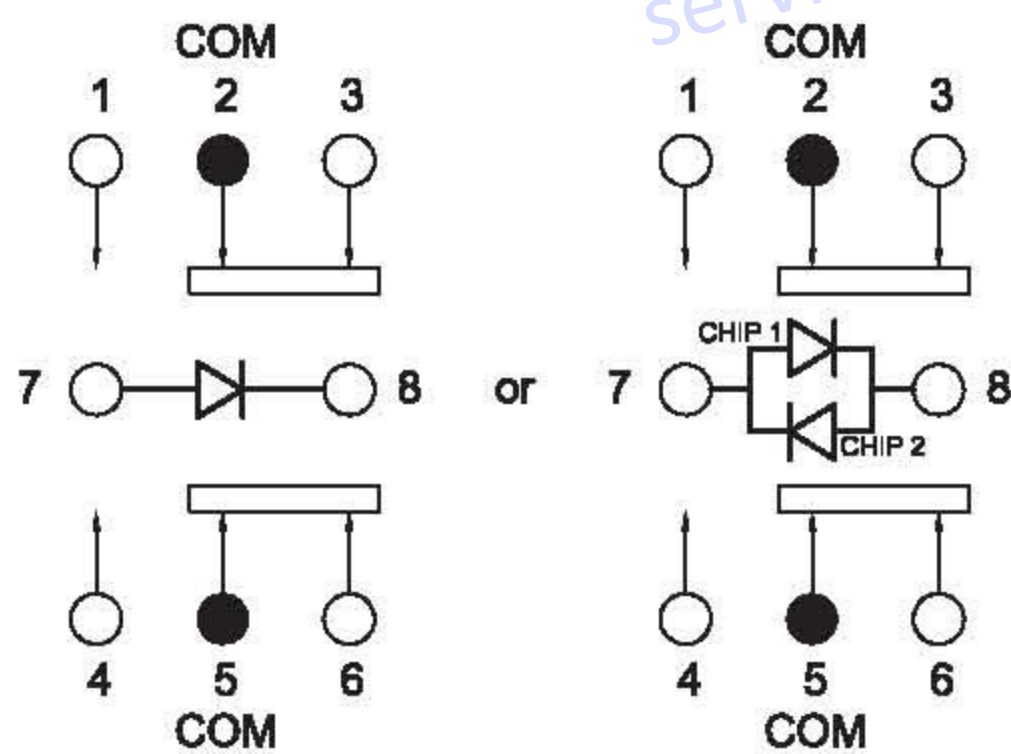


▶ DIMENSION

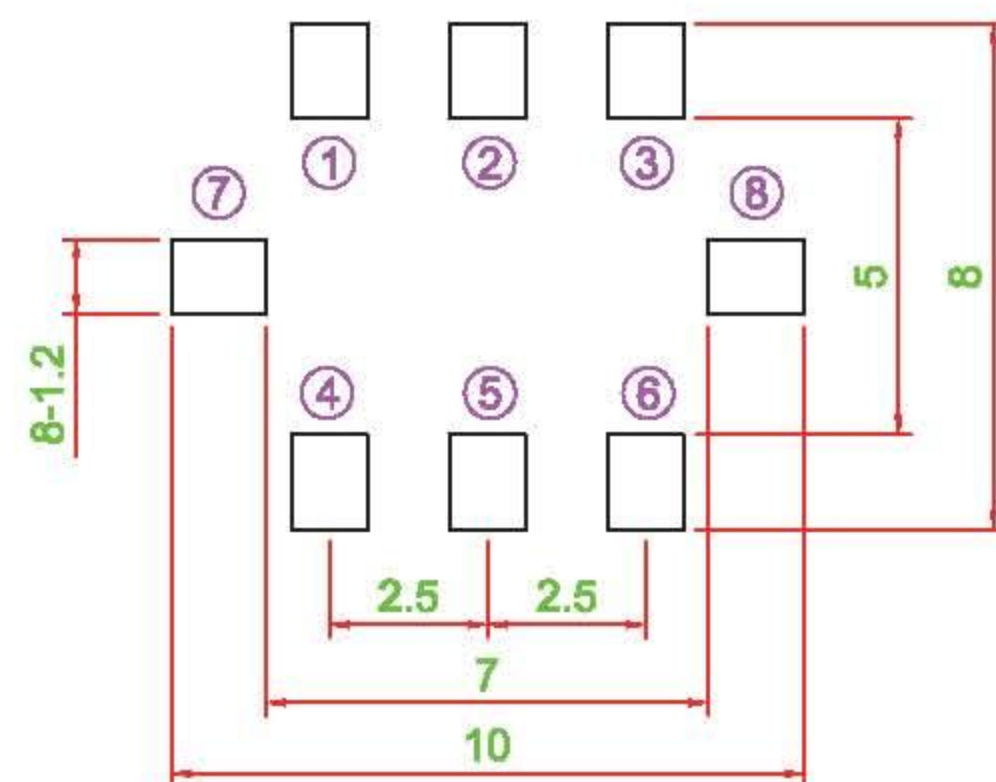
SS001L-S22NAPA□□



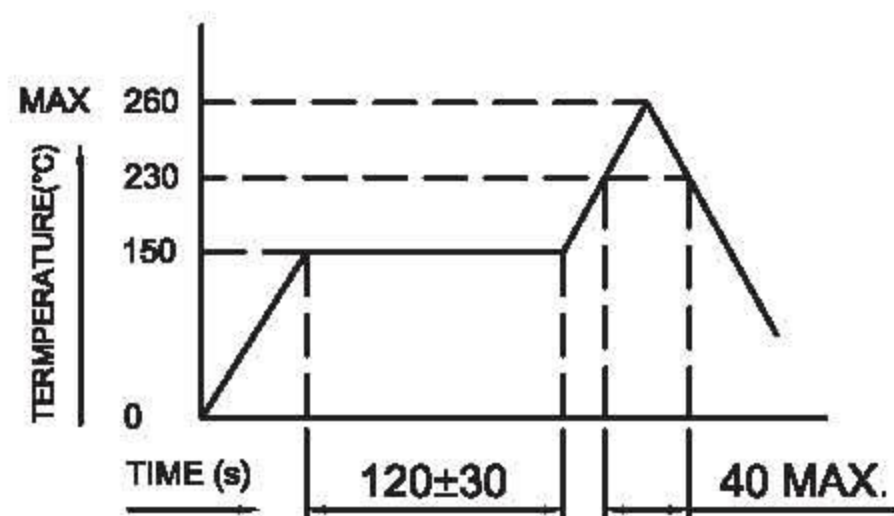
▶ CIRCUIT DIAGRAM



▶ P.C.B. LAYOUT



▶ REFLOW SOLDERING



▶ MATERIAL

- COVER : STAINLESS STEEL
- ACTUATOR : PA + GF
- BASE FRAME : PA + GF
- TERMINAL : SILVER PLATING