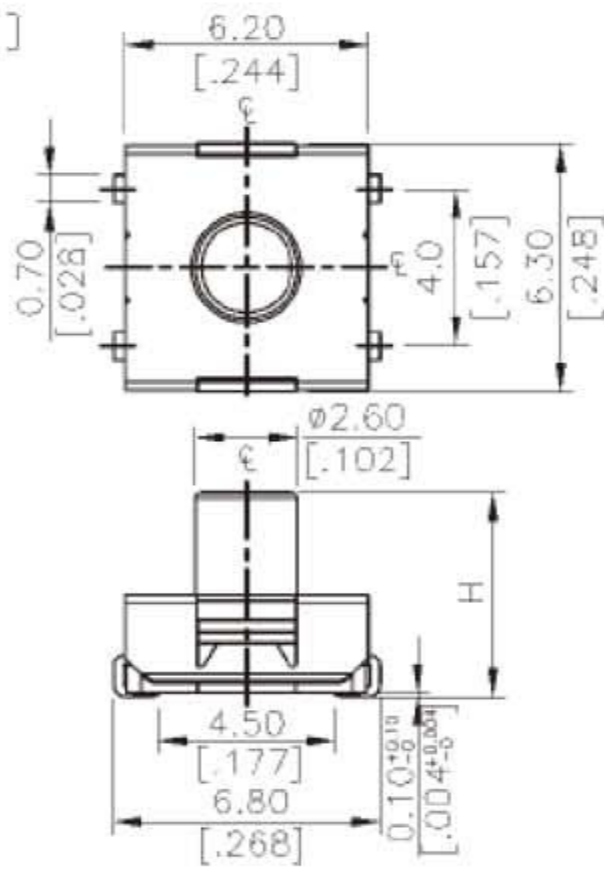


DTSJW□-6 SERIES

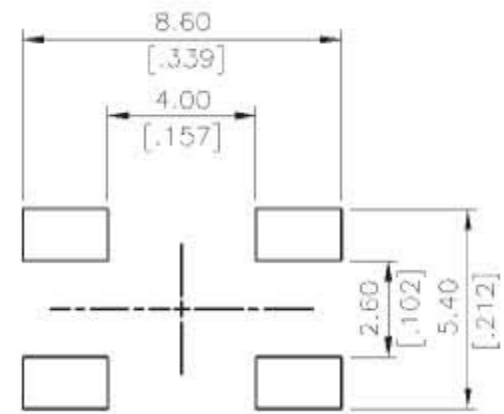
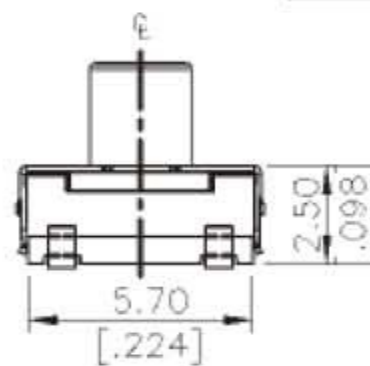


DIMENSIONS

DTSJW□-6



DTSJW□-67	5.20 [.205]
DTSJW□-65	3.50 [.138]
PART NO.	H

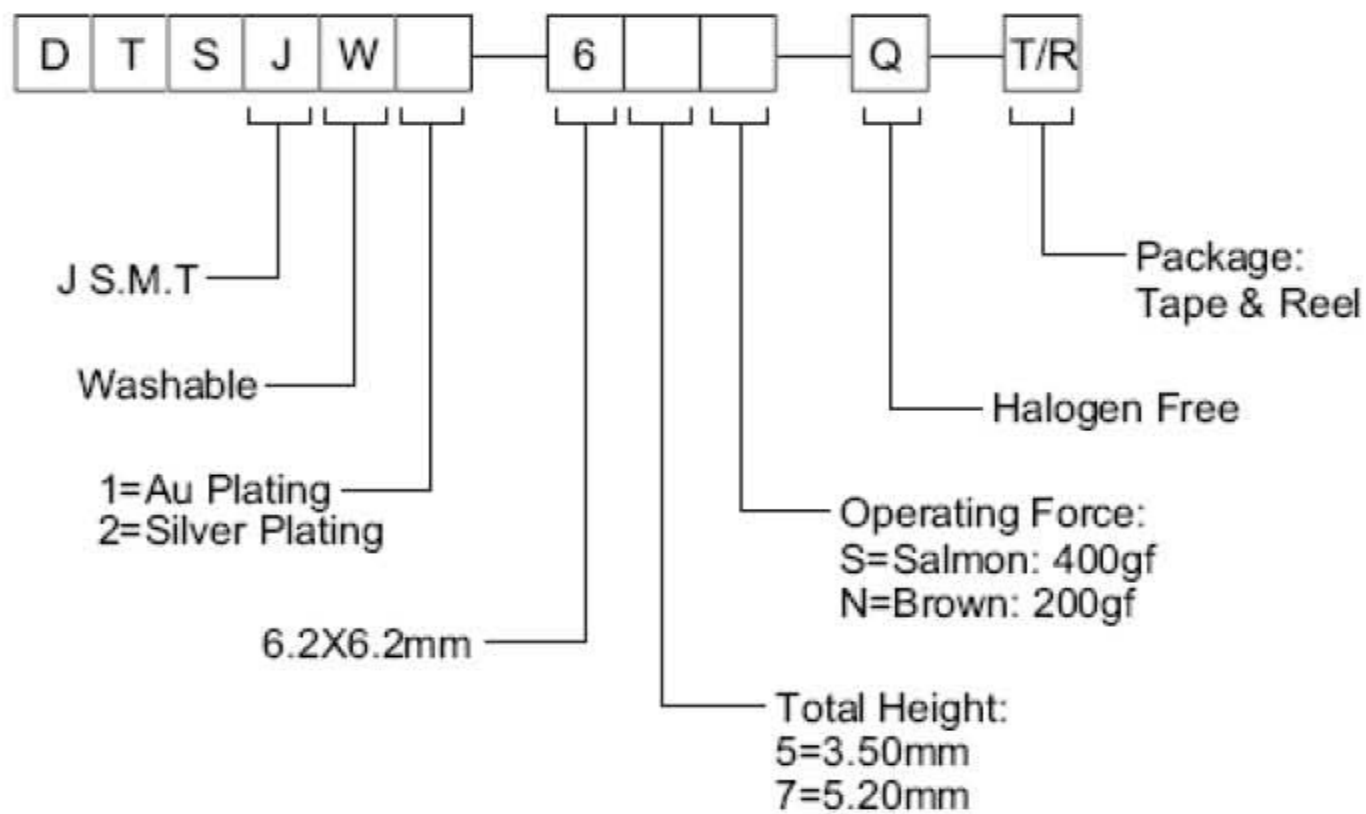


TEL: +86-755-26055892/93/51
 EMAIL: service@riversunhk.com
 WEB: www.riversunhk.com

P.C.B. LAYOUT

General Tolerance : ±0.2mm

HOW TO ORDER



SPECIFICATION

△MECHANICAL

Operation Force:

400± 100gf, Salmon (S)

200± 50gf, Brown (N)

Stop Strength: Max 3kgf vertical static load continuously
for 15 seconds

Stroke: 0.60±0.2mm, S
0.40±0.2mm, N

Operation Temperature: -40°C to +85°C

Storage Temperature: -40°C to + 85°C

△ELECTRICAL

Electrical Life:

300,000 cycles

Rating: 50mA, 12VDC

Contact Resistance: 100mΩ max.

Insulation Resistance: 100MΩ min. at 500VDC

Dielectric Strength: 250VAC/ minute

Contact Arrangement: 1 pole 1 throw

MATERIAL

△COVER: Stainless steel

△TERMINAL: Brass with silver plated

△BASE: UL94V-0 Nylon High-Temp. Thermoplastic
Color: Black

△STEM : Silicon Rubber Color : Brown (200gf)

△CONTACT: Stainless steel

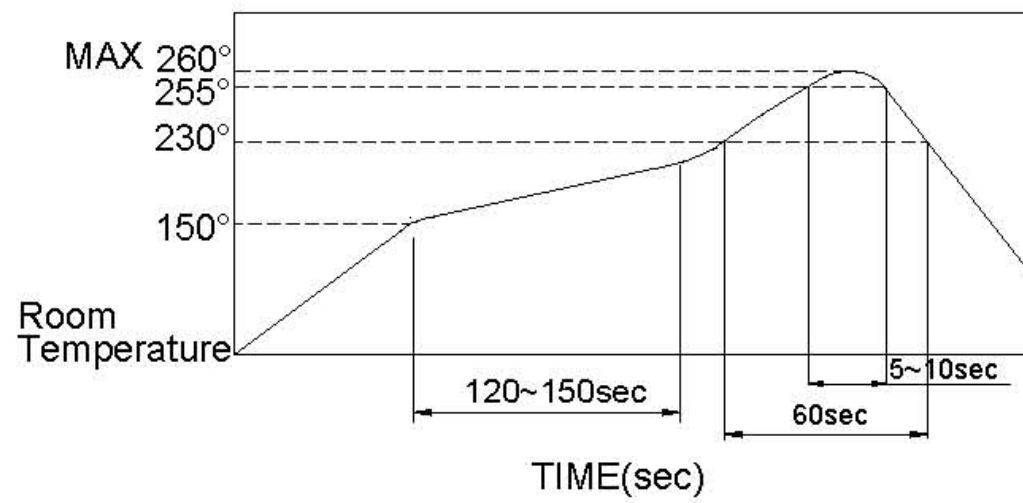
TEL: +86-755-26055892/93/51
EMAIL: service@riversunhk.com
WEB: www.riversunhk.com

SOLDERING PROCESS

△HAND SOLDERING : Use a soldering iron of 30 watts, controlled at 350°C approximately max 5 seconds while applying solder.

△SOLDERING : Vapor phase & reflow soldering can be applied

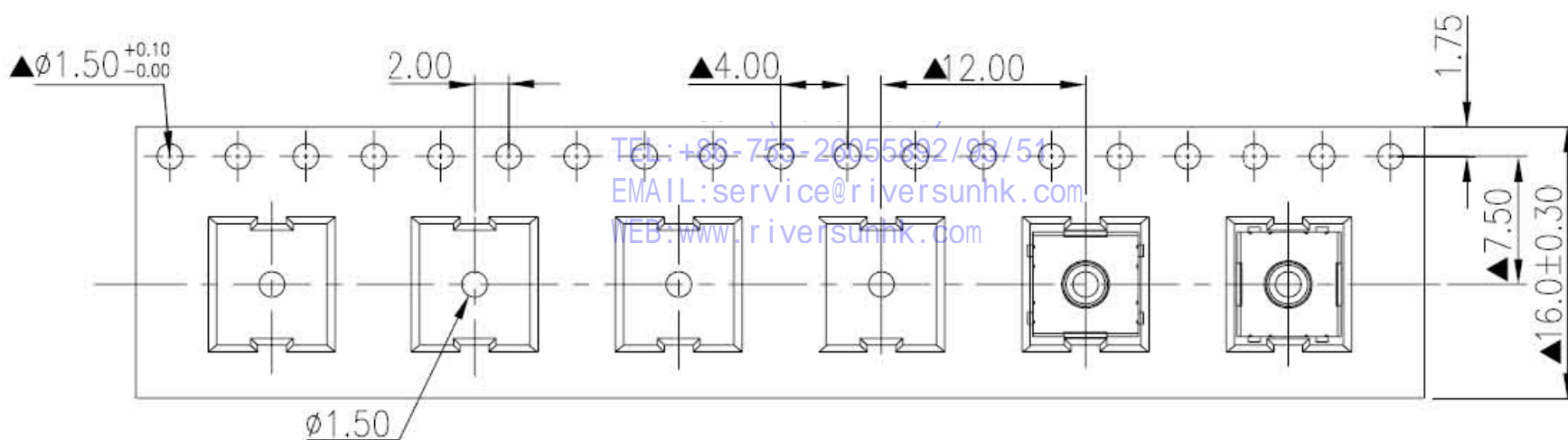
△ Temperature Profile:



PACKING

Part Number	Number Per Tube	Number Per Reel
DTSJW□-6		900

REEL



General Tolerance : $\pm 0.1\text{mm}$