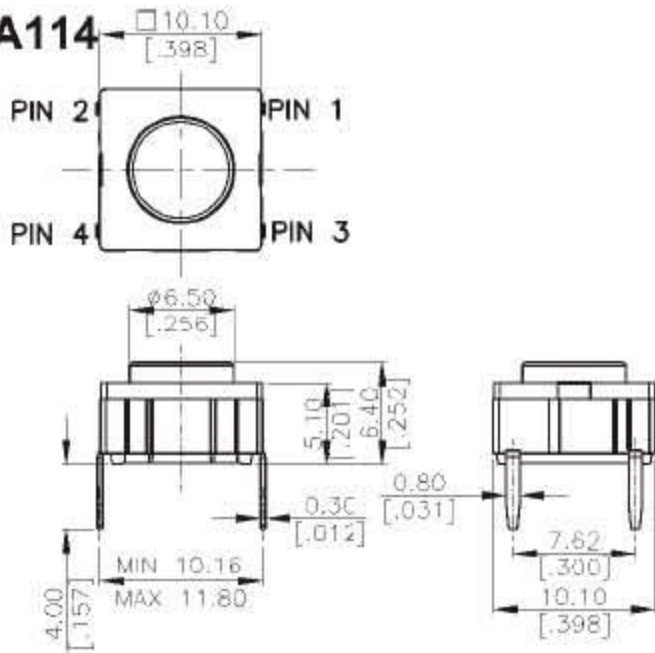


# TL□-A(B) SERIES

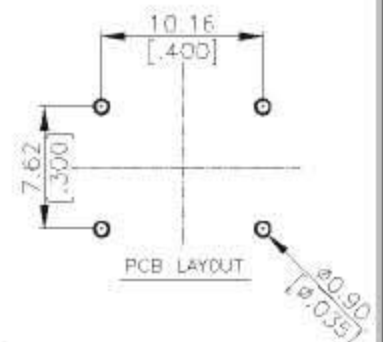
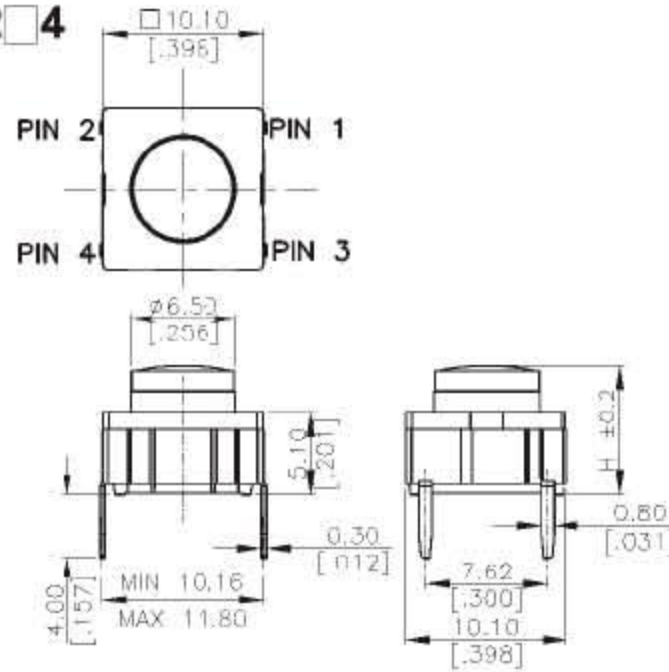


## DIMENSIONS

**TL-A114**



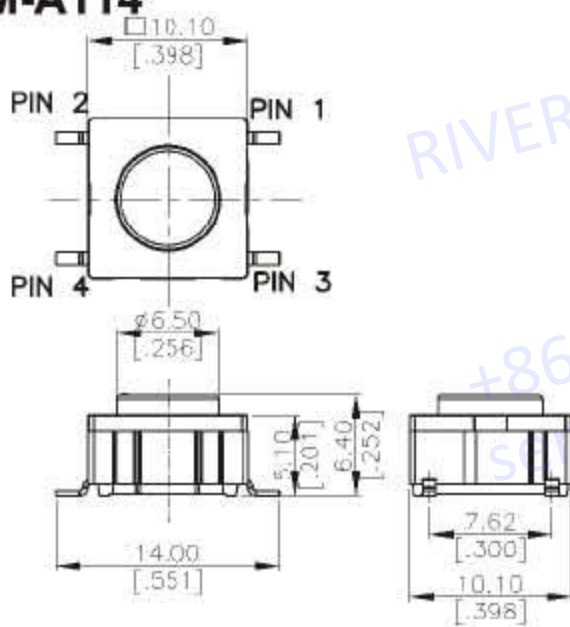
**TL-A2□4**



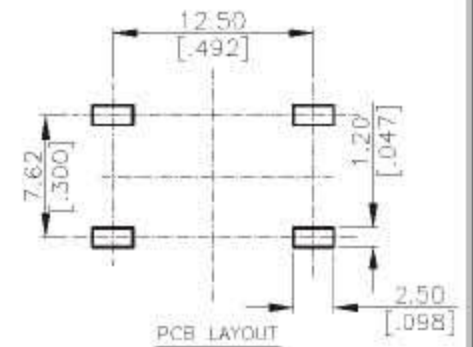
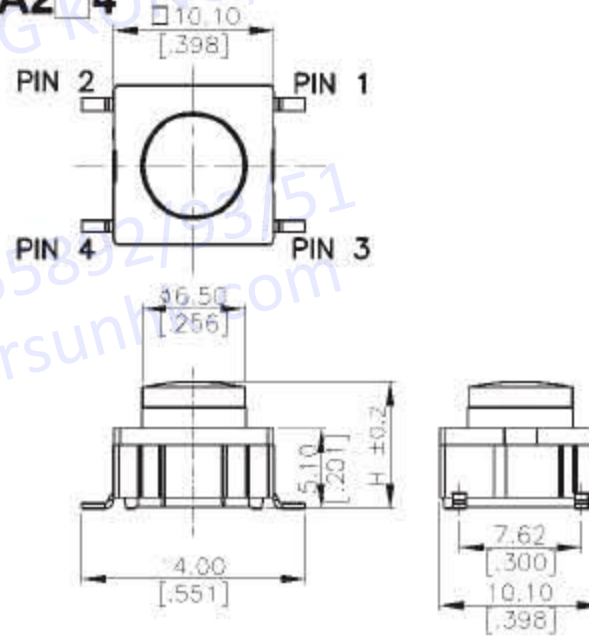
TL-A274□	15.00	[.592]
TL-A264□	12.00	[.472]
TL-A254□	11.00	[.433]
TL-A244□	10.40	[.409]
TL-A234□	9.50	[.374]
TL-A224□	8.00	[.315]
PART NO.	H	

General Tolerance : ±0.2mm

**TLM-A114**



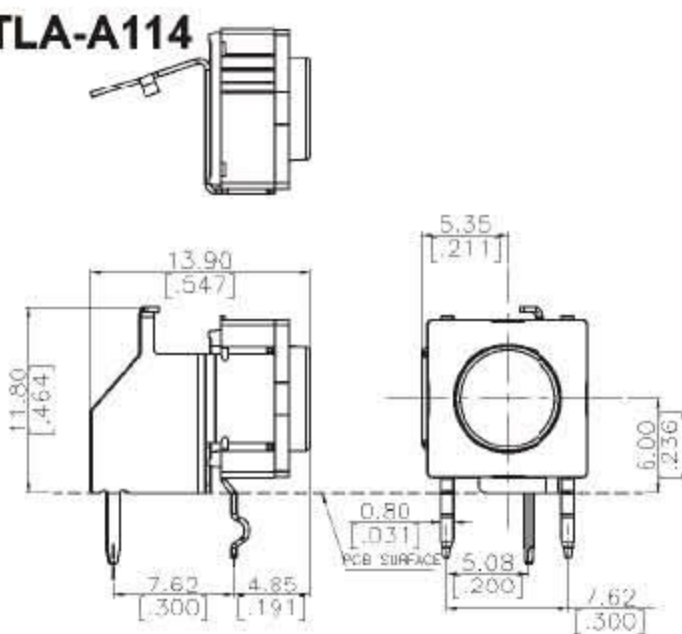
**TLM-A2□4**



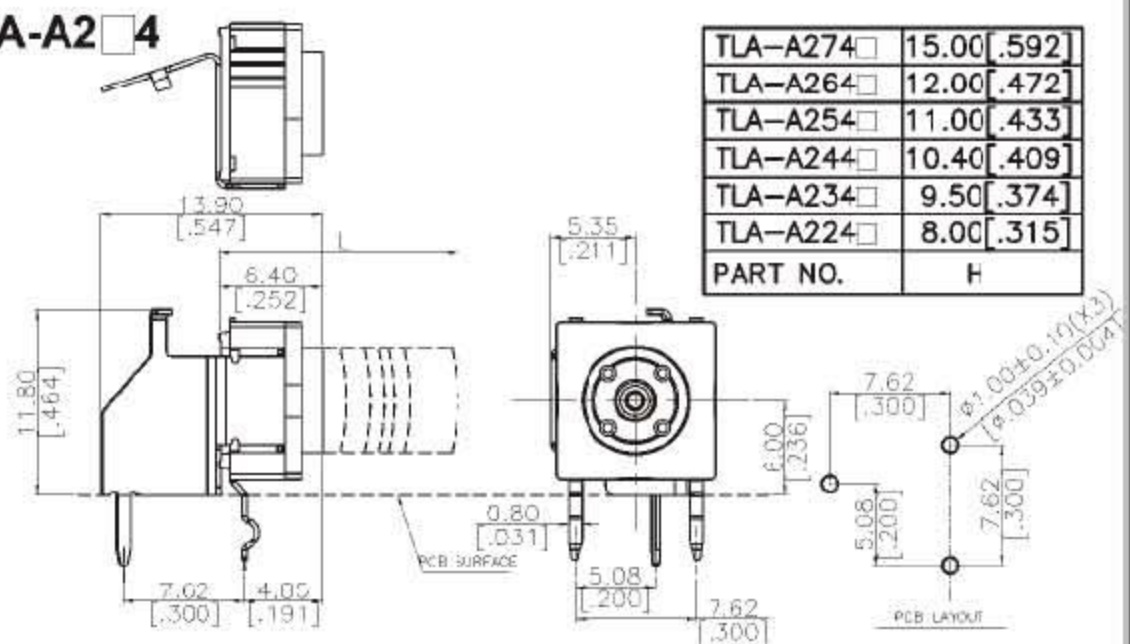
TLM-A274□	15.00	[.592]
TLM-A264□	12.00	[.472]
TLM-A254□	11.00	[.433]
TLM-A244□	10.40	[.409]
TLM-A234□	9.50	[.374]
TLM-A224□	8.00	[.315]
PART NO.	H	

General Tolerance : ±0.2mm

**TLA-A114**



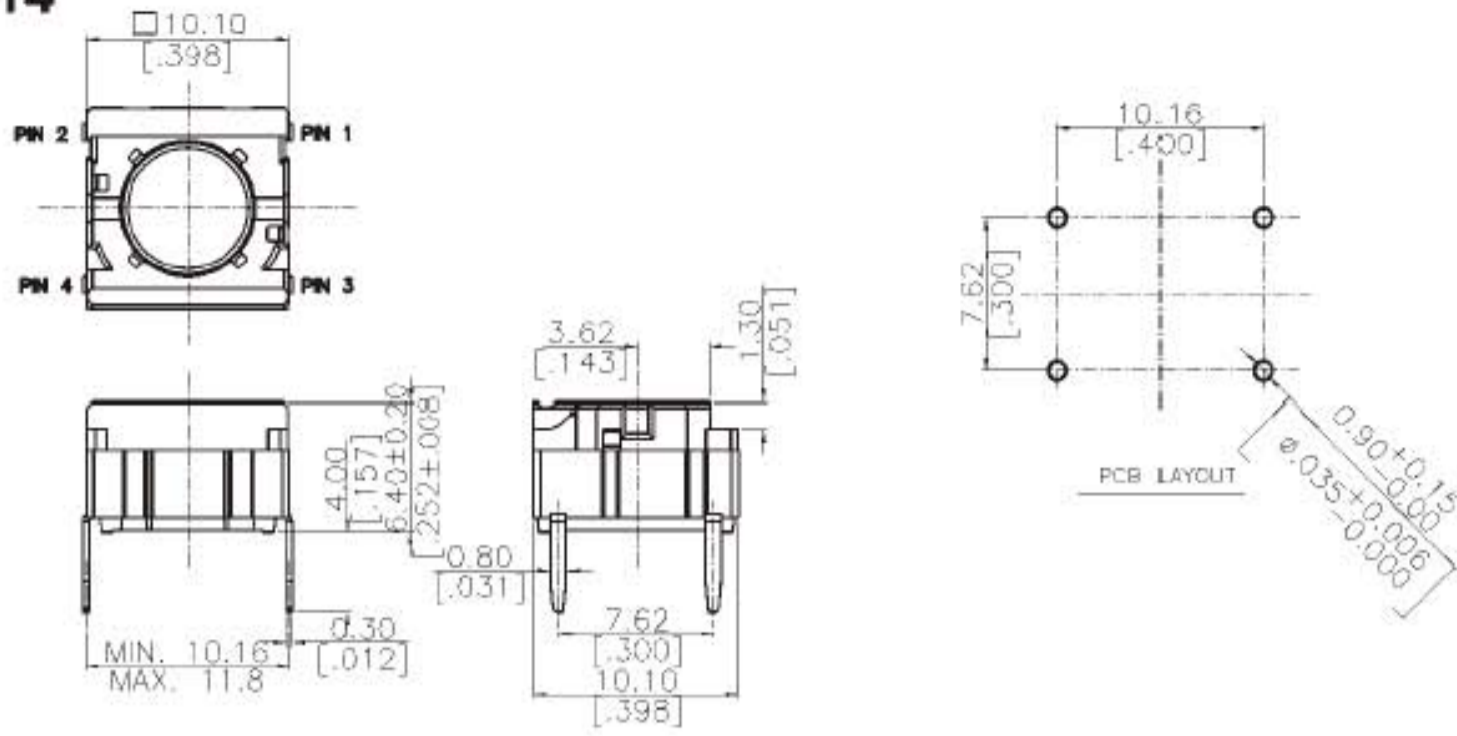
**TLA-A2□4**



TLA-A274□	15.00	[.592]
TLA-A264□	12.00	[.472]
TLA-A254□	11.00	[.433]
TLA-A244□	10.40	[.409]
TLA-A234□	9.50	[.374]
TLA-A224□	8.00	[.315]
PART NO.	H	

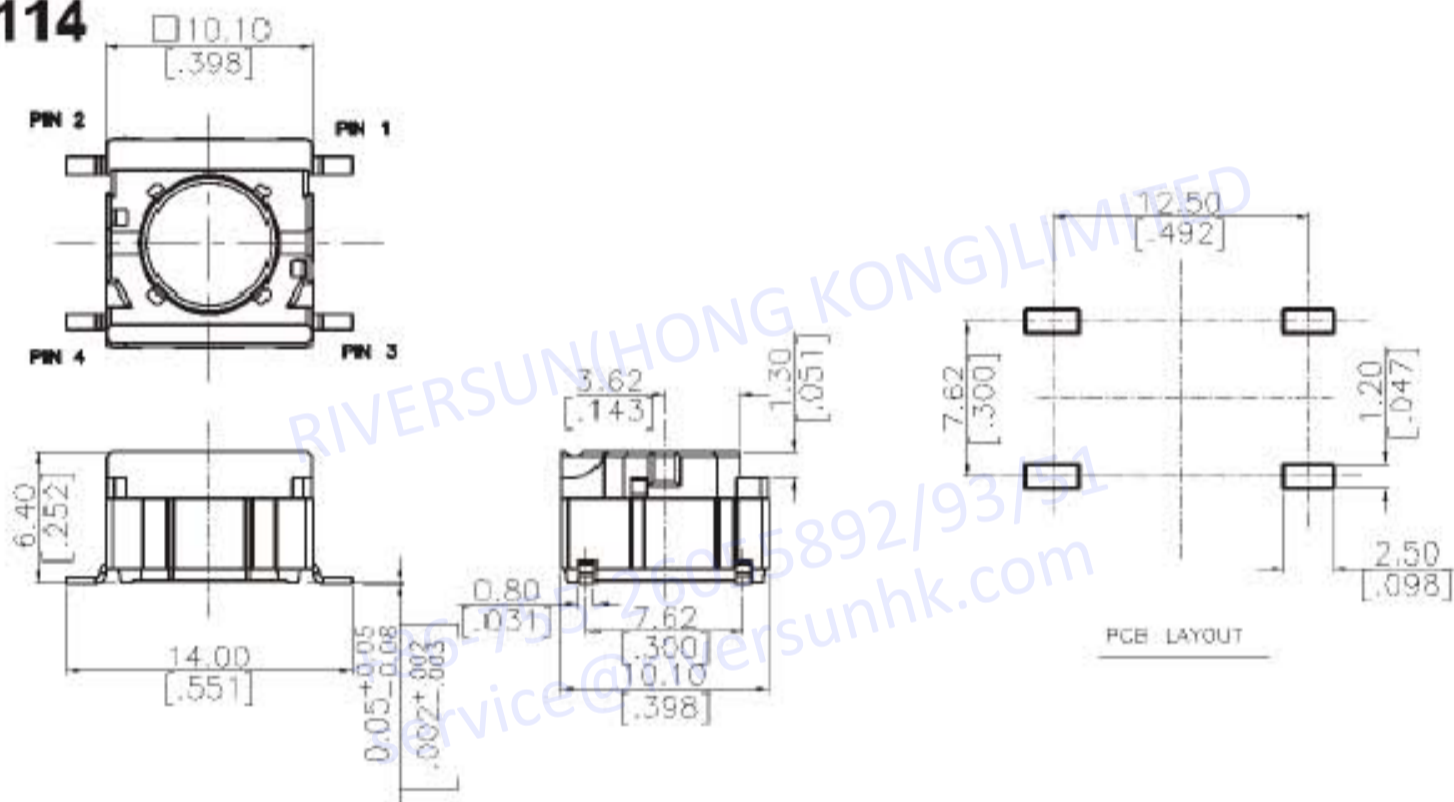
General Tolerance : ±0.2mm

# TL-B114



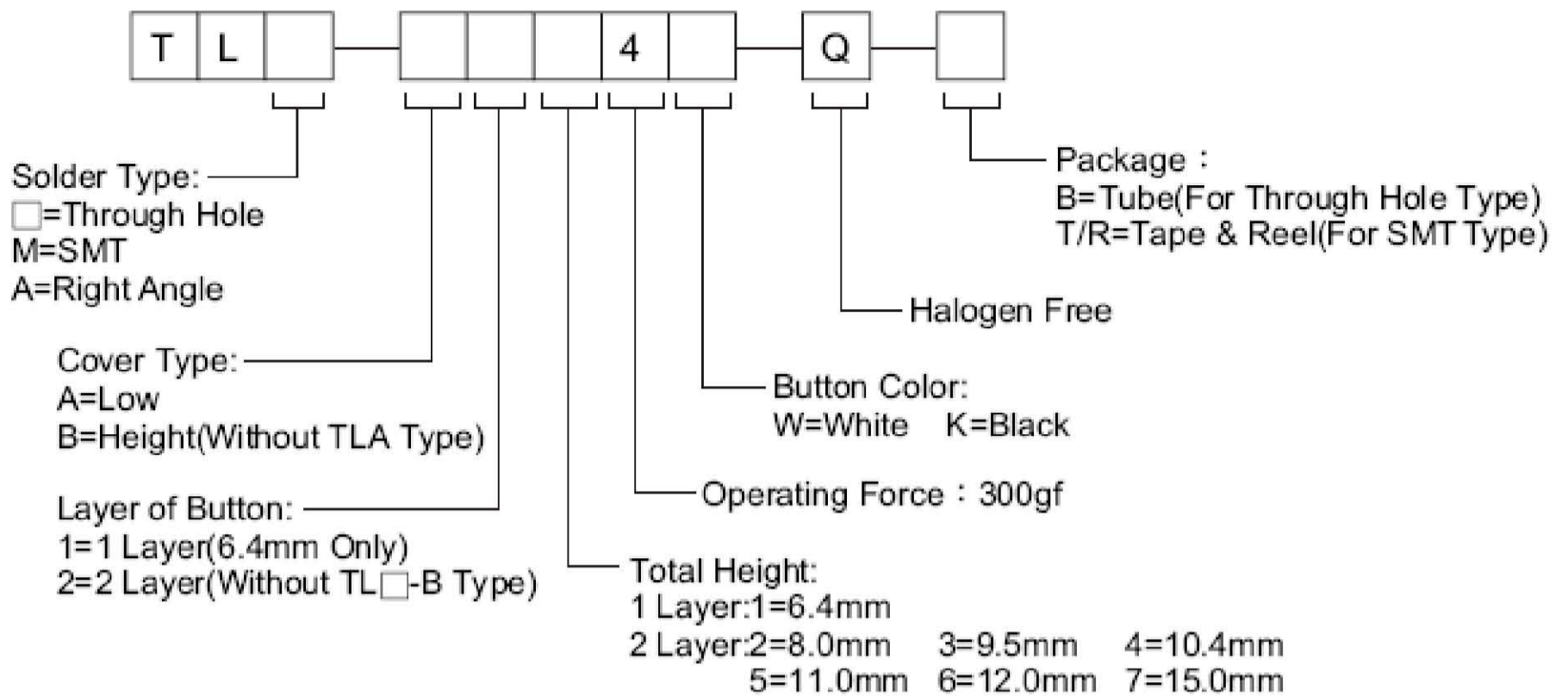
General Tolerance : ±0.2mm

# TLM-B114



General Tolerance : ±0.2mm

## HOW TO ORDER



## SPECIFICATION

### △MECHANICAL

Operation Force:  
 300 ± 75gf  
 Stroke: 1.0 ± 0.5 mm  
 Operation Temperature: -40°C to +160°C  
 Storage Temperature: -40°C to +160°C

### △ELECTRICAL

Electrical Life: 10,000,000 cycles  
 Rating:0.5~50mA , 24VDC  
 Contact Resistance: 30mΩ max.  
 Insulation Resistance: 10MΩ min. 100VDC  
 Dielectric Strength: 250VAC/ minute  
 Contact Arrangement: 1 pole 1throw

## MATERIAL

△CONTACT DISC: Stainless with silver cladding  
 △TERMINAL: Brass with silver cladding  
 △BASE: Nylon High-temp. Thermoplastic  
 Color: Black  
 △COVER: High-temp. Thermoplastic  
 △PUSH BUTTON: High-temp. Thermoplastic  
 △RUBBER: SILICONE RUBBER  
 △METAL HOLDER: NICKEL SILVER

## SOLDERING PROCESS

### △WAVE SOLDERING : Recommended solder

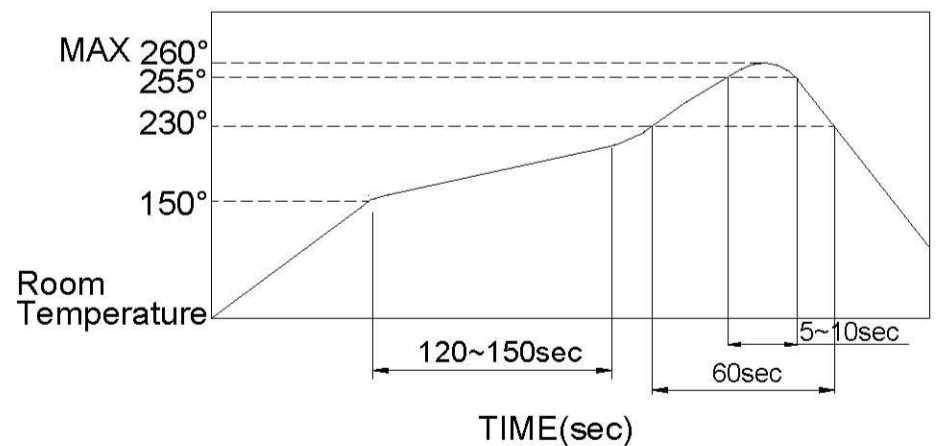
Temperature at 500°F(260°C) max. 5 seconds.  
 subject to PBC 1.6mm thickness.  
 ( Soldering for through hole type )

### △HAND SOLDERING : Use a soldering iron of

30 watts, controlled at 350°C approximately max 5  
 seconds while applying solder.

### △CONDITION FOR SOLDERING : Reflow & non-washable type

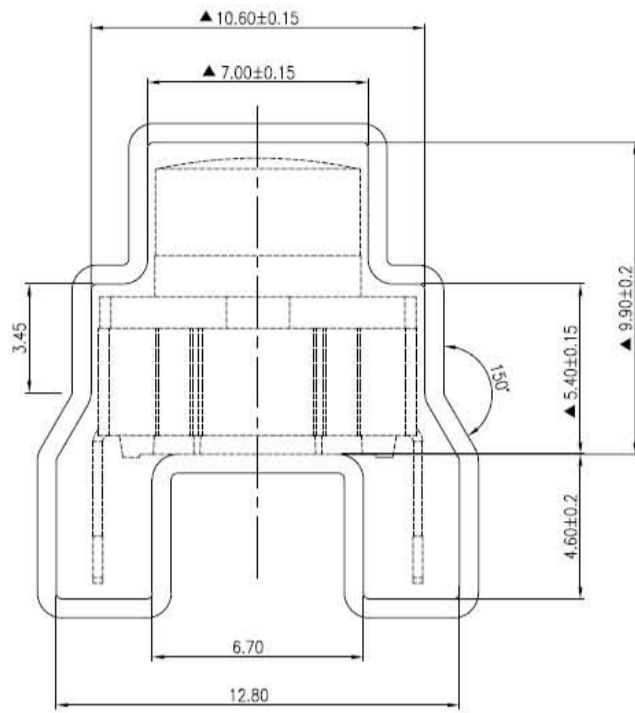
### △Temperature Profile :



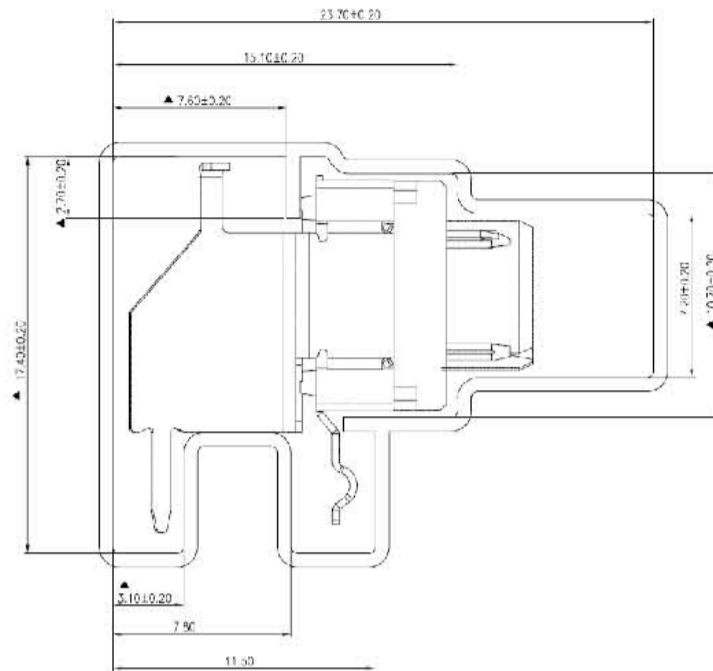
# PACKING

Part Number	Number Per Tube	Number Per Reel
TL-A/B.TLA-A	45	
TLM-A/B		650

TL-A/B



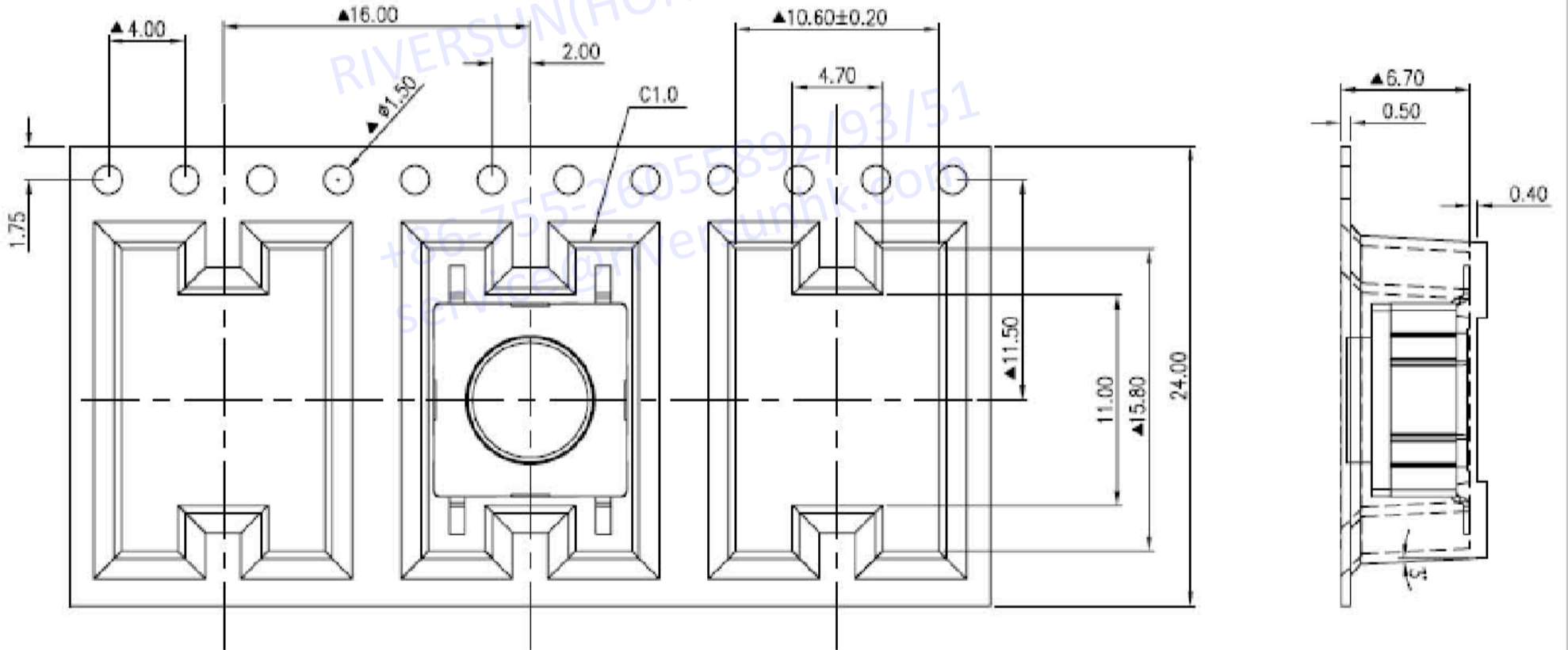
TLA-A



General Tolerance : ±0.2mm

TLM CARRIER

NOTE:  
1.General Tolerance:±0.1mm.



General Tolerance : ±0.1mm