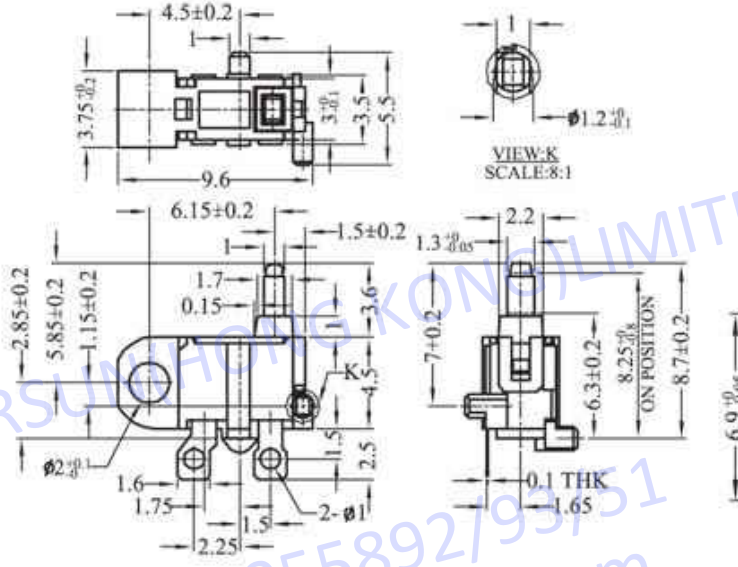
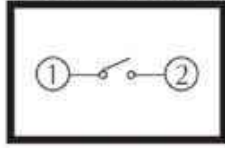


TC-0032

CIRCUIT DIAGRAM



RATING: DC 30V 0.1A

轻触开关主要技术特性

The Main Technical Characteristic Tact Switch

额定负荷	DC 30V 0.1A	操作温度	-16°C to 60°C
Rated Load		Operating Temperature	
接触电阻	< 1000 mΩ	寿命	50,000 次
contact Resistance		Life Test	
绝缘电阻	> 100 MΩ	作用力	30gf ± 10gf
Insulation Resistance		Operating Force	
耐电压	250V 0.5mA/min		