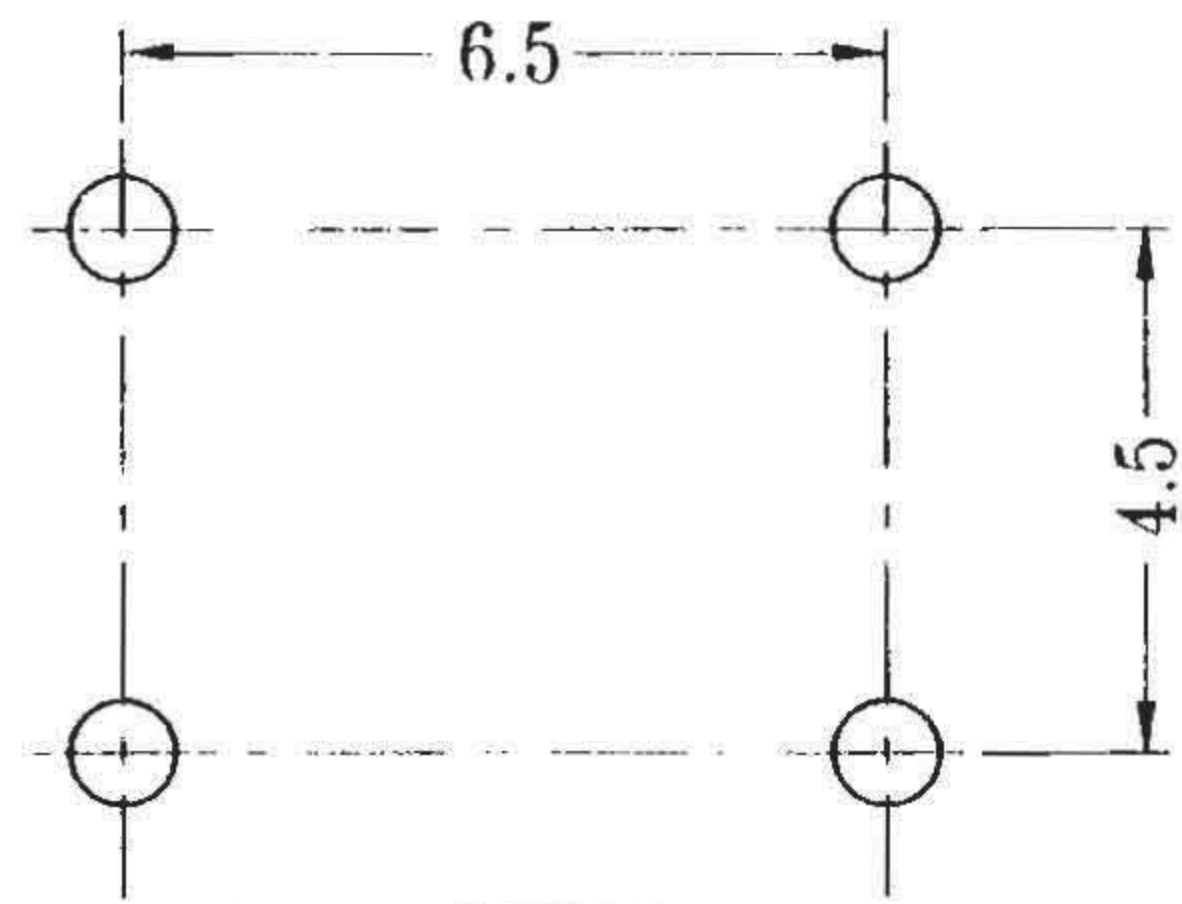
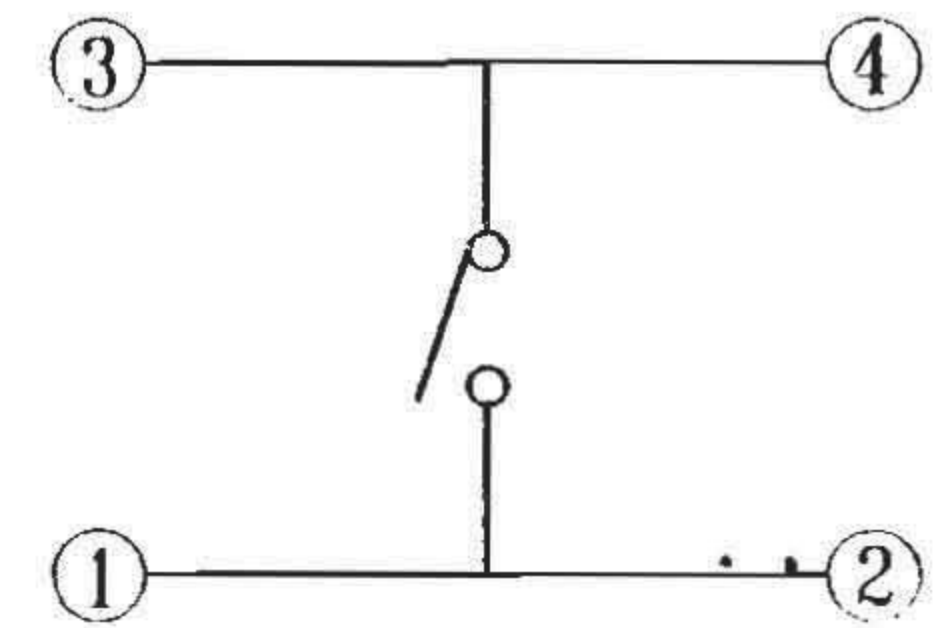


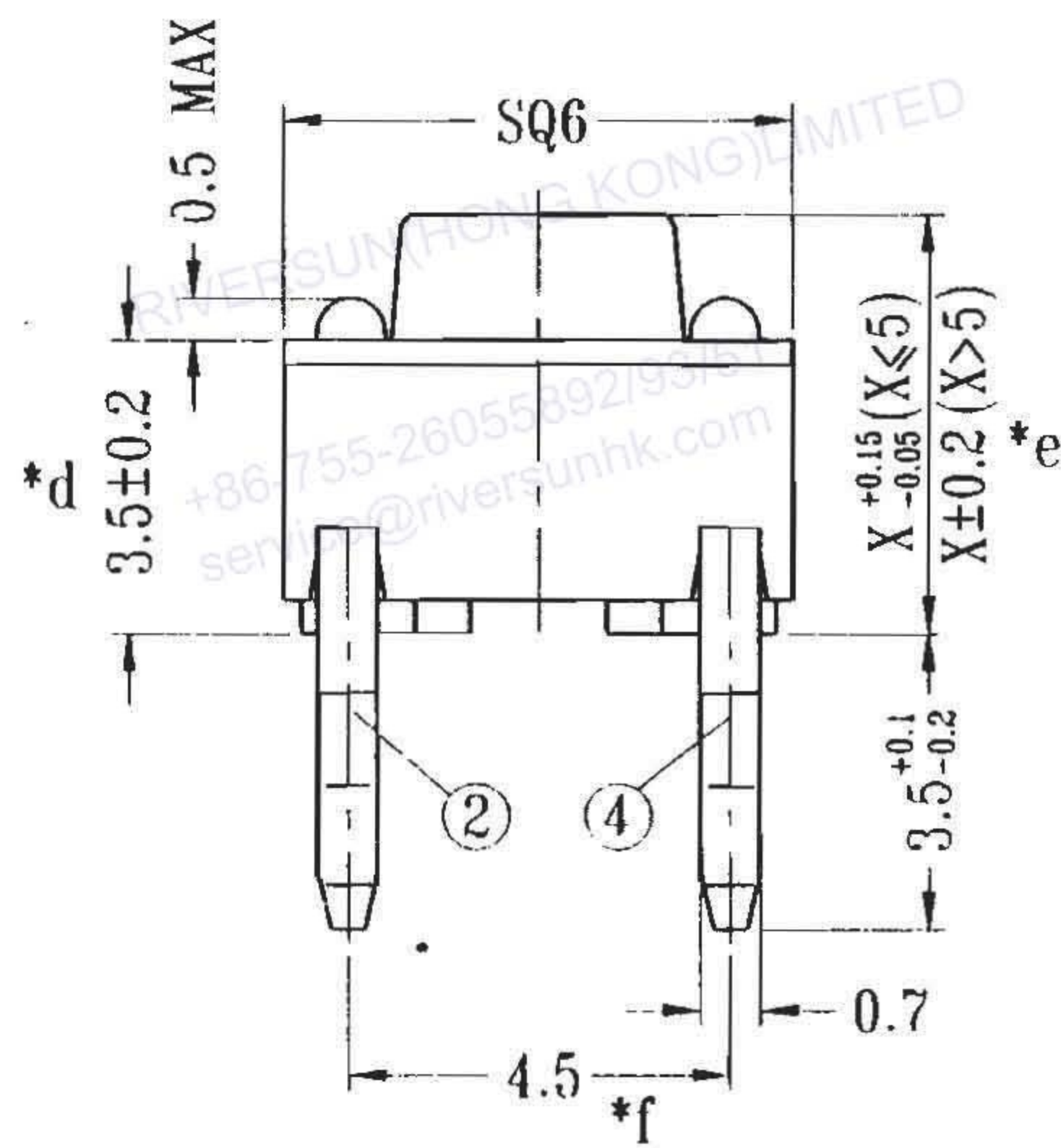
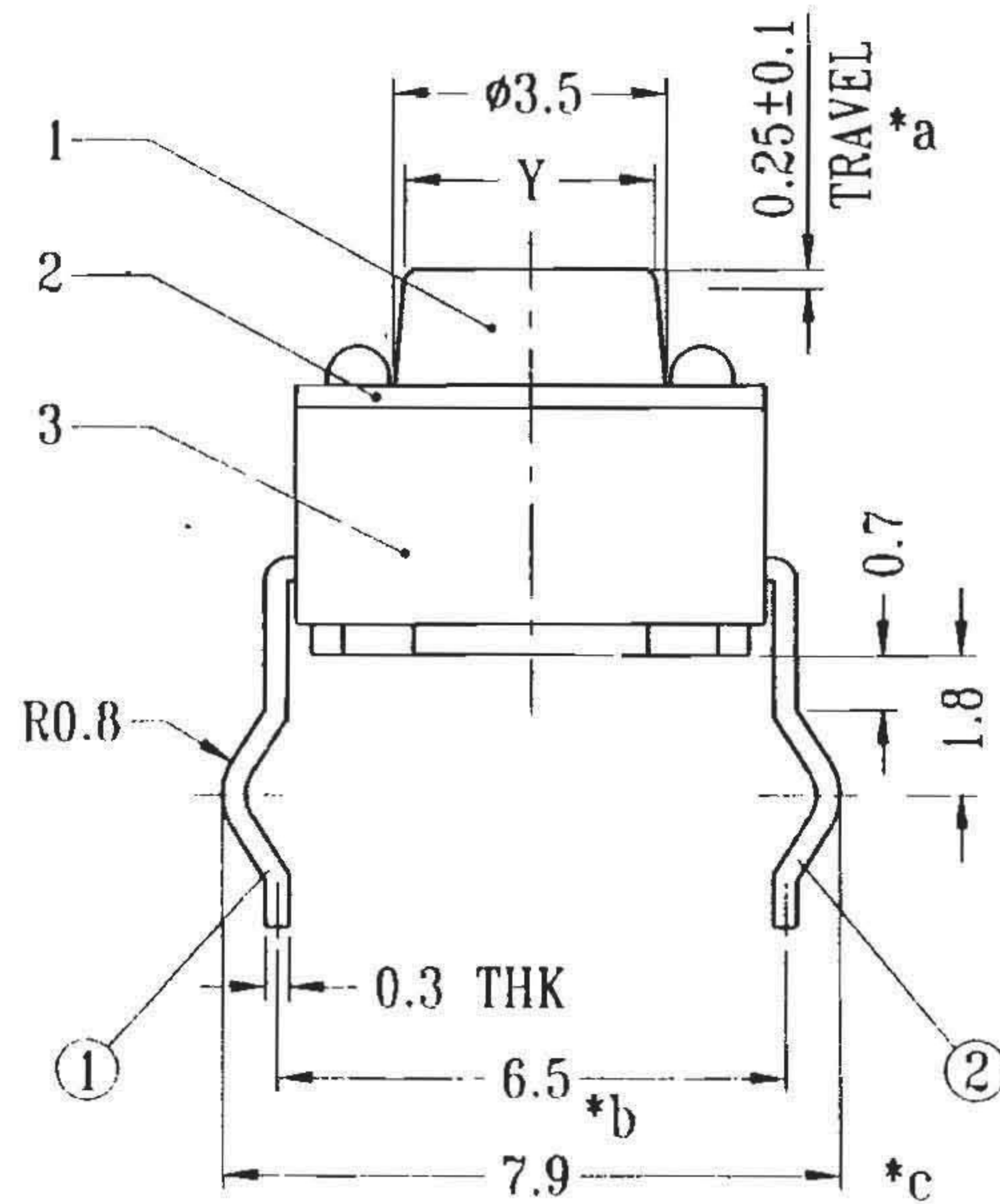
CAD FILE:



P.C.B LAYOUT
BOTTOM VIEW



SCHEMATIC



注：“*”表示关键尺寸(6个)

TC-0111	TC0111	17.0	∅2.7
TC-0110	TC0110	13.5	∅3.2
TC-G109	TCG109	14.0	∅3.1
TC-B109	TCB109	11.0	∅3.2
TC-A109	TCA109	13.0	∅3.3
TC-0109	TC0109	12.5	∅3.0
TC-B108	TCB108	10.5	∅3.2
TC-0108	TC0108	9.5	∅3.3
TC-A107	TCA107	9.0	∅3.1
TC-0107	TC0107	8.5	∅3.1
TC-0106	TC0106	8.0	∅3.3
TC-0105	TC0105	7.3	∅3.3
TC-0104	TC0104	7.0	∅3.3
TC-A103	TCA103	6.0	∅3.4
TC-0103	TC0103	5.0	∅3.4
TC-0102	TC0102	4.3	∅3.5
TC-0101	TC0101	4.2	∅3.5
MODEL NO.	KNOB TYPE	X	Y

NO.	PARTS	MATERIALS	Q'TY	FINISH	TOLERANCE UNLESS SPECIFIED	DATE	DESCRIPTIONS OF REVISION	APPD.
8								
7								
6								
5								
4	CONTACT	PBS C5210R-EH	1	Ag CLAD				
3	CASE	NYLON+F.G/BRASS STRIP	1	BLACK/Ag PLATED OVER Ni PLATED				
2	COVER	STEEL STRIP/PET	1	Ni PLATED/CLEAR				
1	KNOB	NYLON+F.G	1	BLACK/RED				
					TITLE : TACT SWITCH	UNIT : mm	DRWG NO.: TT-DR-TC0101-00	
					MODEL: TC-0101~0111	SCALE: 5:1	DWN.	
							CHK'D	
							APPD.	

增加明细表:

更改前产品型号: TC-0101~0102;

13-Oct-2010

APPD.