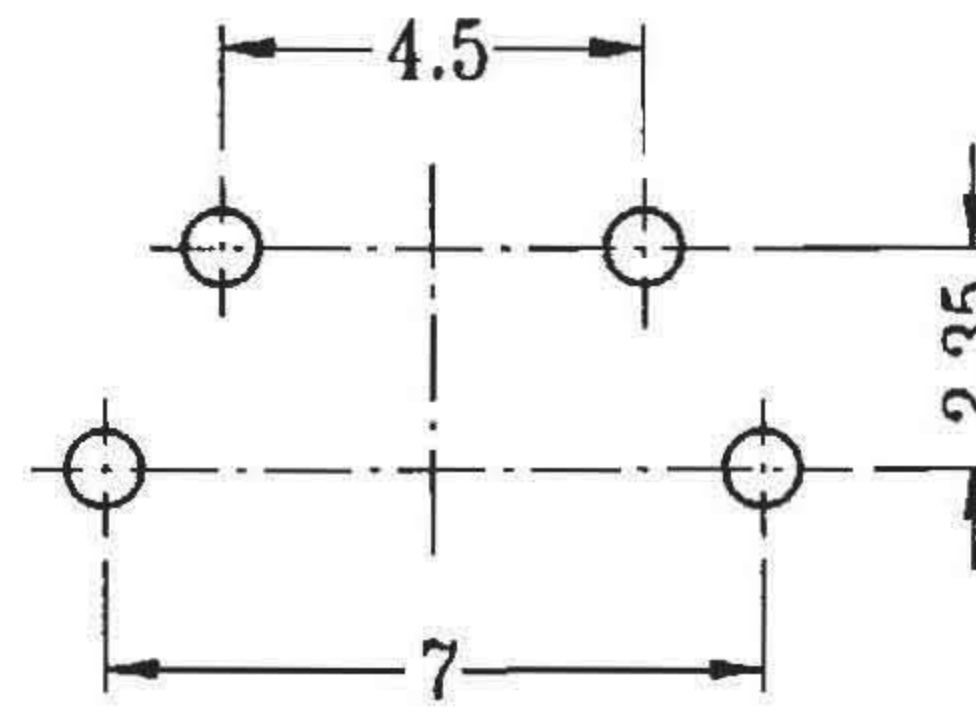
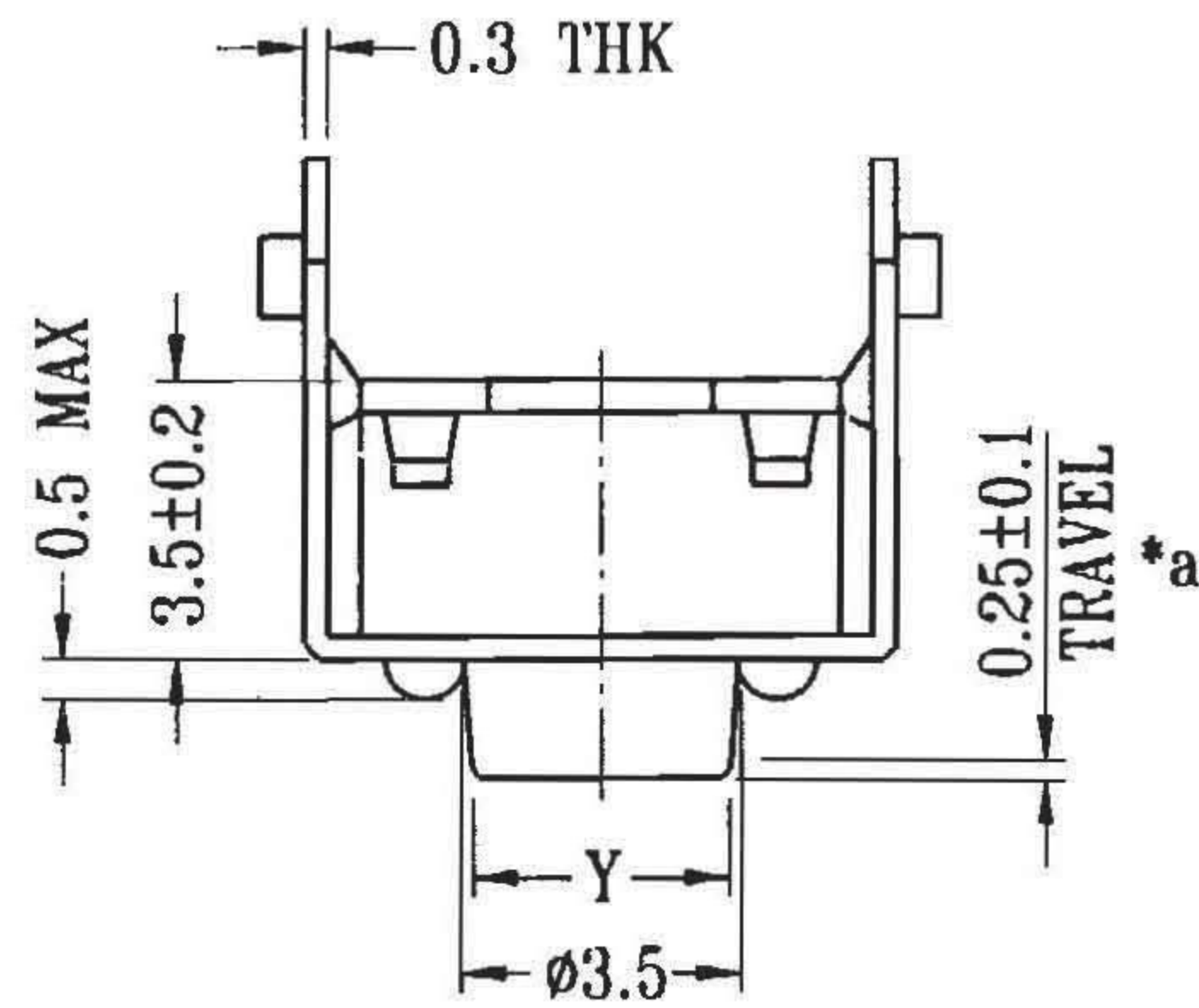
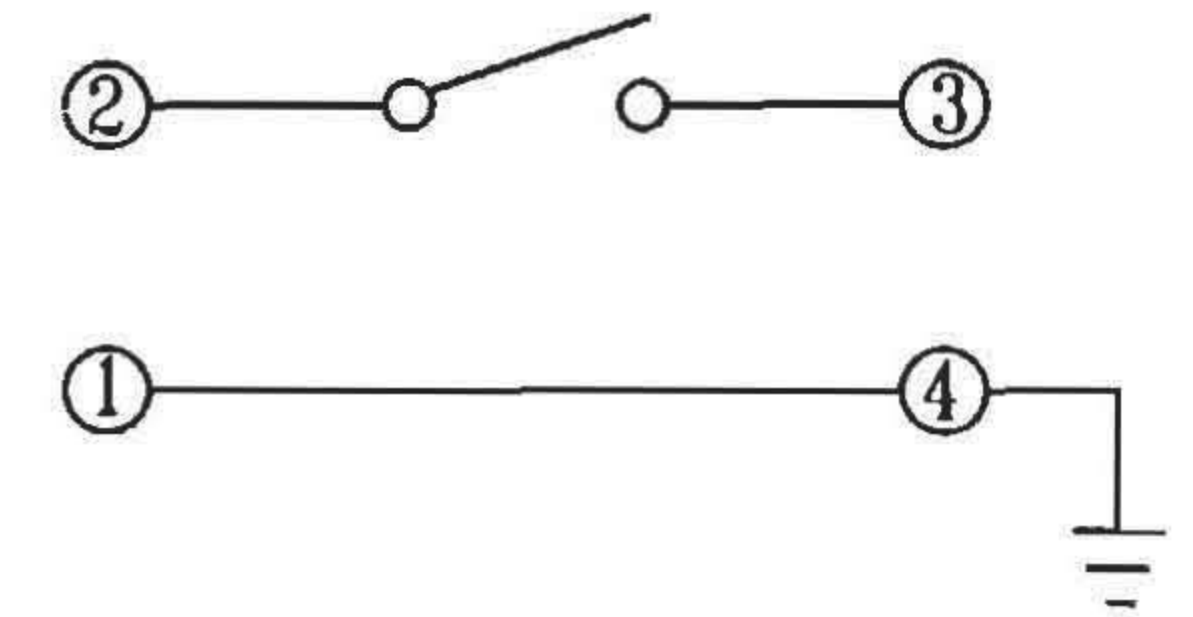
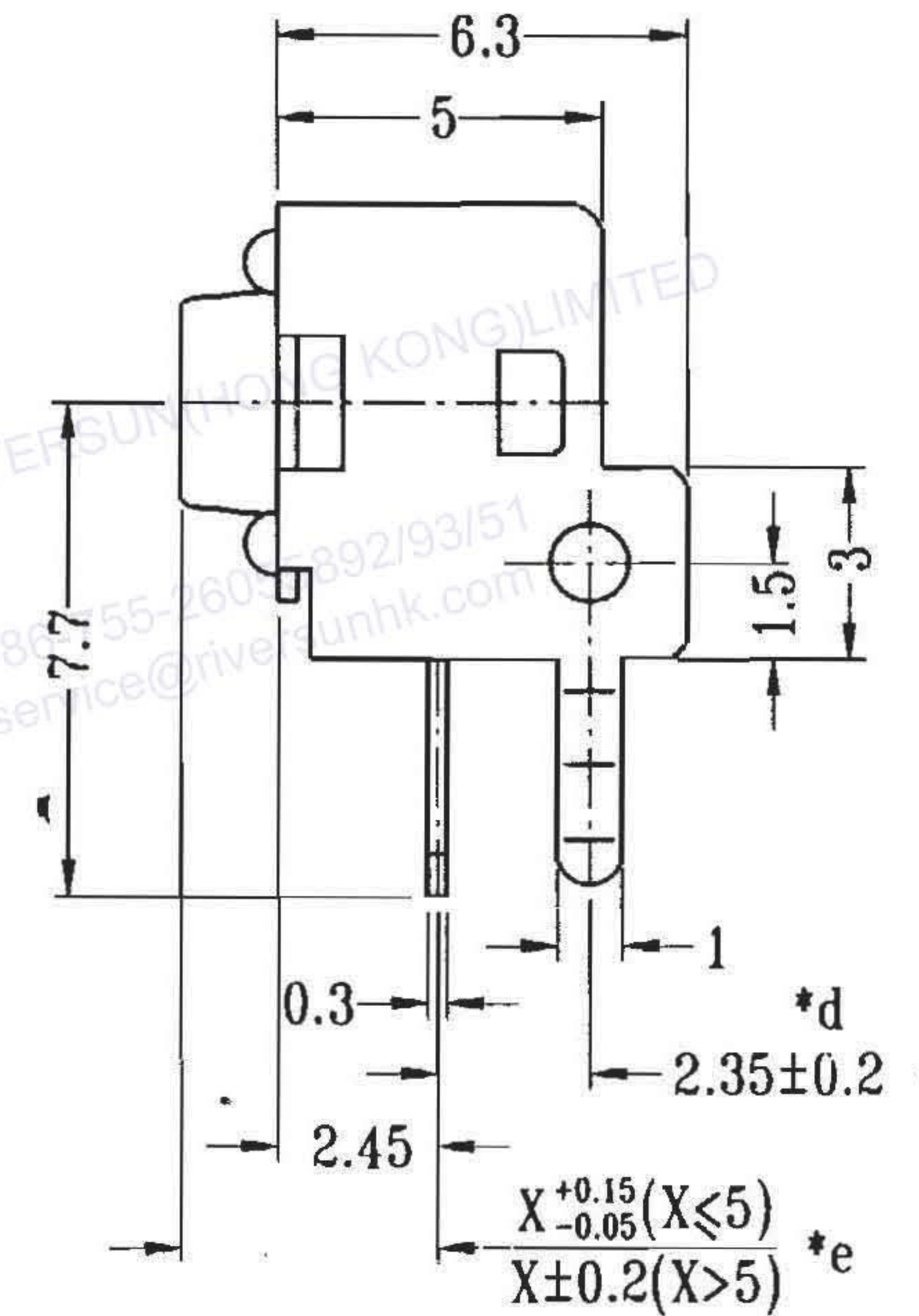
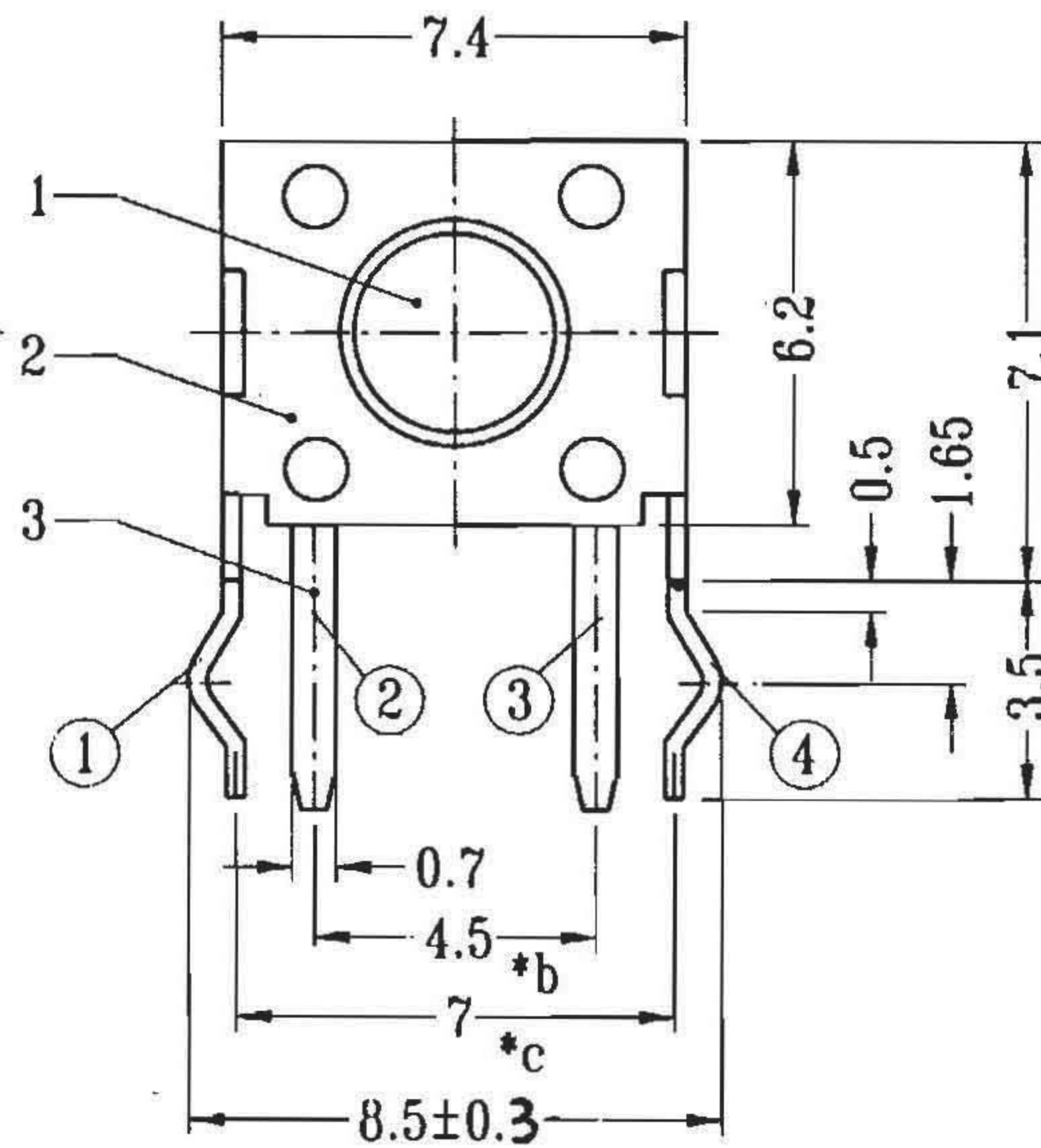


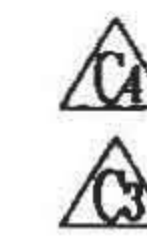
CAD FILE:



P.C.B LAYOUT  
BOTTOM VIEW



SCHEMATIC . .



TC-A210	TC0111.	15.85	Ø2.7
TC-0210	TC0110	12.35	Ø3.2
TC-G209	TCG109	12.85	Ø3.1
TC-B209	TCB109	9.85	Ø3.2
TC-A209	TC0107	7.35	Ø3.1
TC-0209	TCA109	11.85	Ø3.3
TC-0208	TC0105	6.15	Ø3.3
TC-A207	TCA107	7.85	Ø3.1
TC-0207	TC0109	11.35	Ø3.0
TC-0206	TC0106	6.85	Ø3.3
TC-B205	TCB108	9.35	Ø3.2
TC-0205	TC0108	8.35	Ø3.3
TC-0204	TC0104	5.85	Ø3.3
TC-A203	TCA103	4.85	Ø3.4
TC-0203	TC0103	3.85	Ø3.4
TC-0202	TC0102	3.15	Ø3.5
TC-0201	TC0101	3.05	Ø3.5
MODEL NO.	KNOB TYPE	X	Y

注：“\*”表示关键尺寸(5个).

NO.	PARTS	MATERIALS	Q'TY	FINISH	TOLERANCE UNLESS SPECIFIED	ISSUE	DATE	DESCRIPTIONS OF REVISION	APPD.		
8											
7											
6					WITHIN 1.5mm : ±0.1mm	D	14-Jan-2010	增加明细表			
5					OVER 1.5mm : ±0.2mm						
4	CONTACT	PBS C5210R-EH	1	Ag CLAD	TITLE : TACT SWITCH MODEL: TC-0201~0210				UNIT : mm	DRWG NO.: TT-DR-TC0201-00	
3	CASE	NYLON+F.G/BRASS STRIP	1	BLACK/Ag PLATED OVER Ni PLATED					SCALE: 4:1	DWN.	
2	COVER	STEEL STRIP	1	Sn PLATED					CHK'D		
1	KNOB	NYLON+F.G	1	BLACK/RED					APPD.		