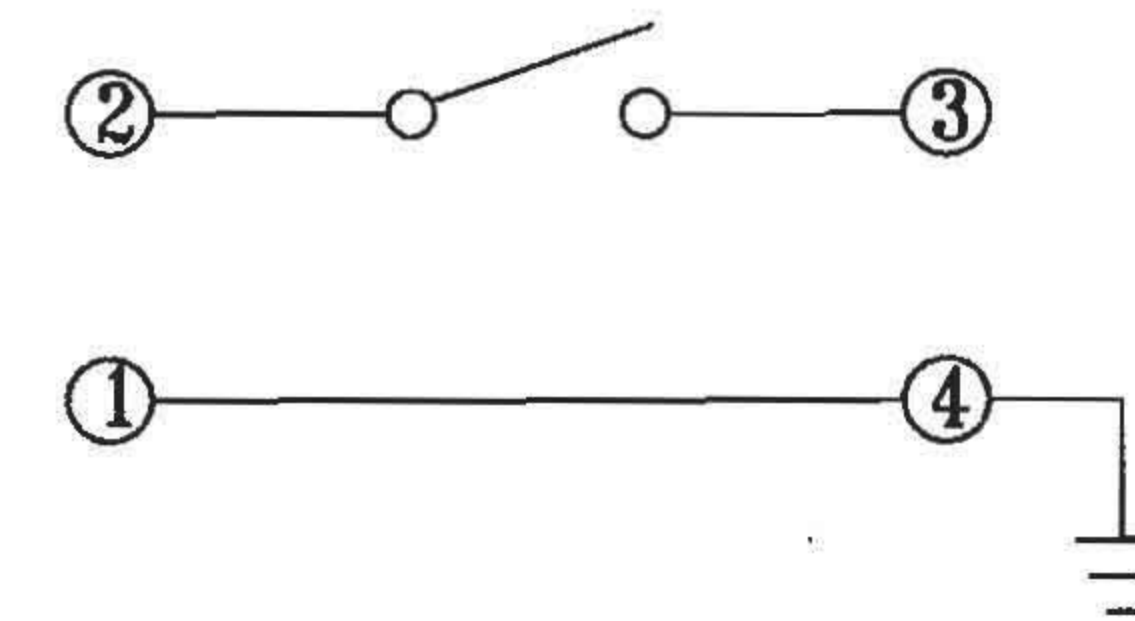
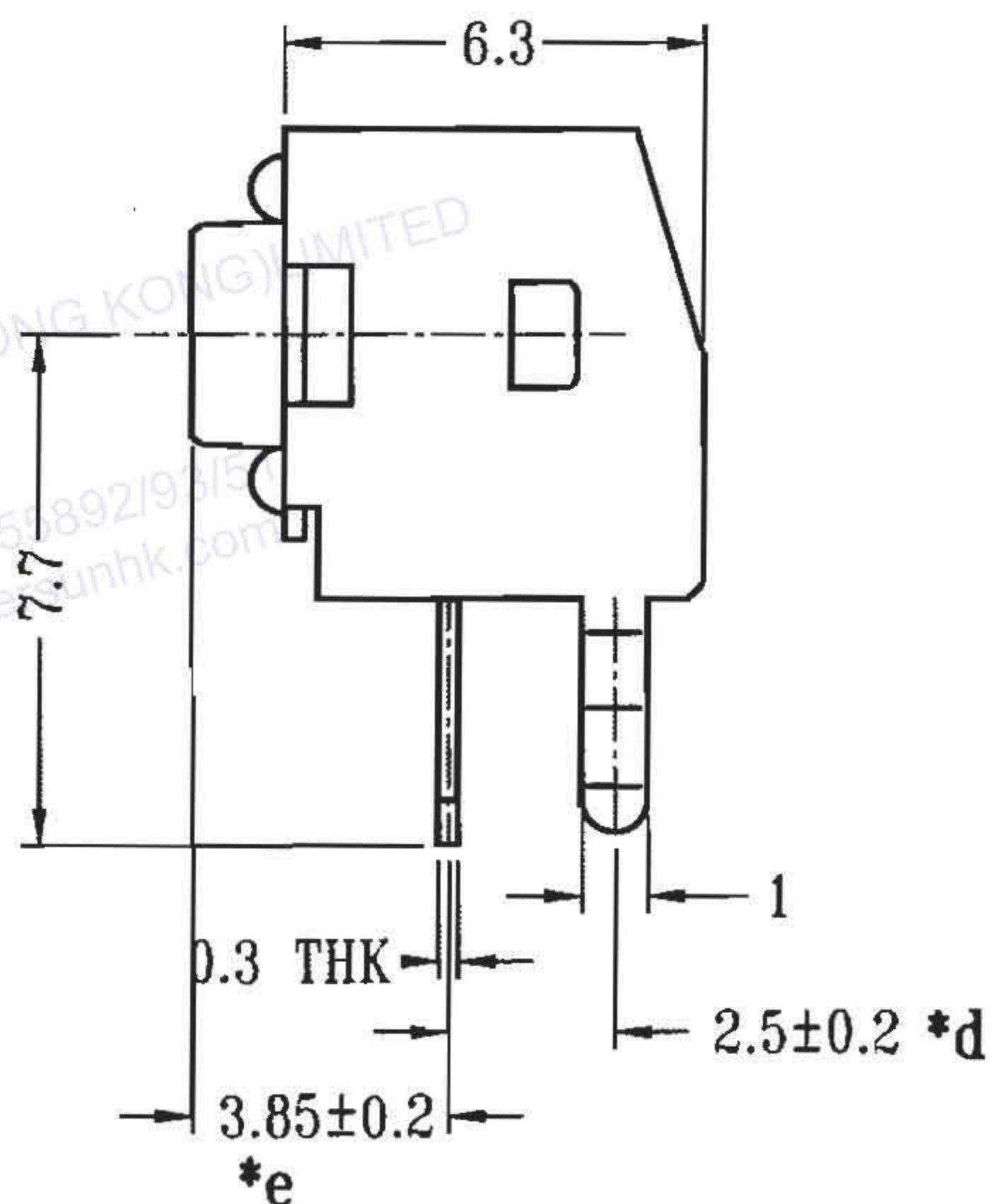
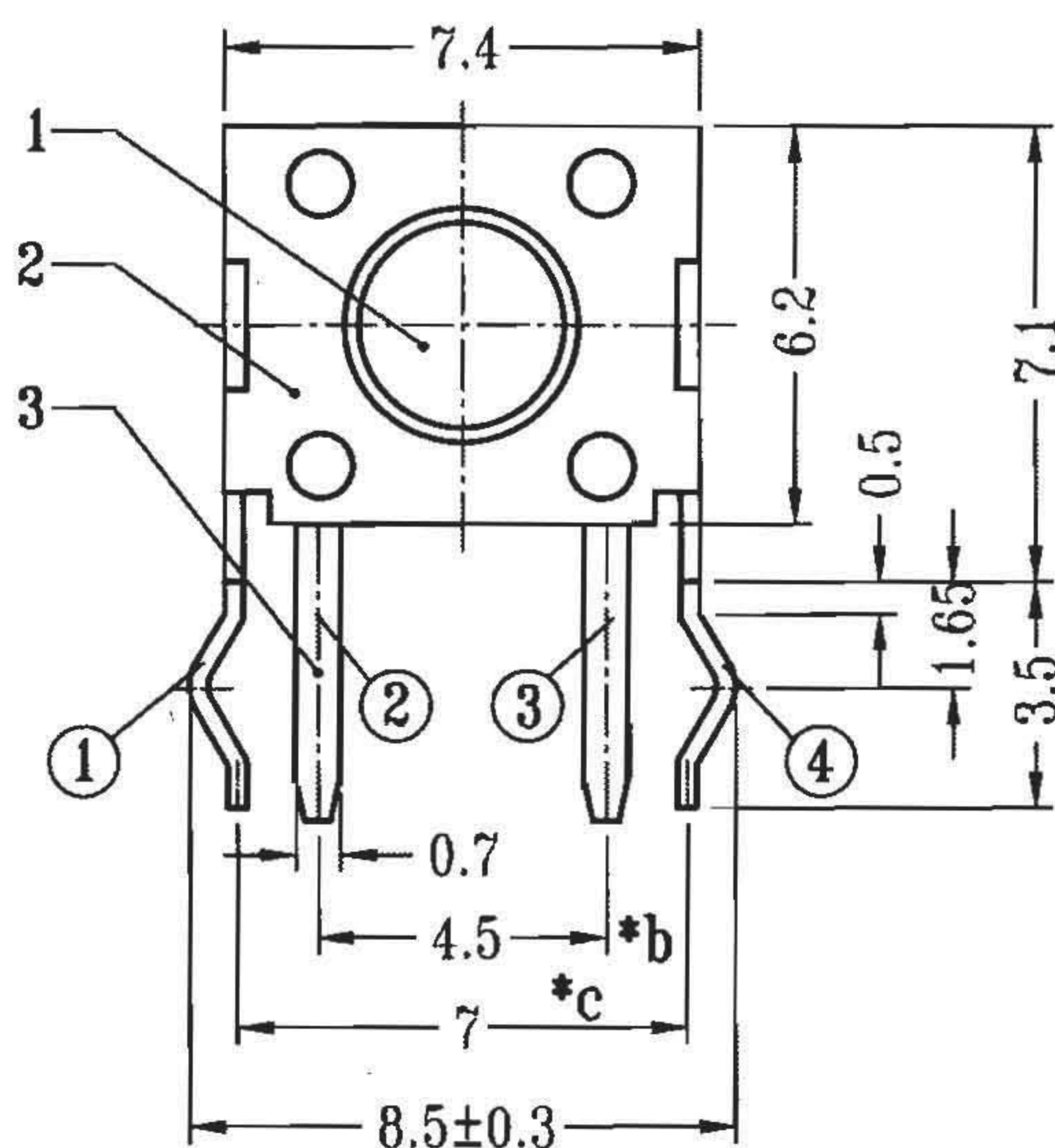
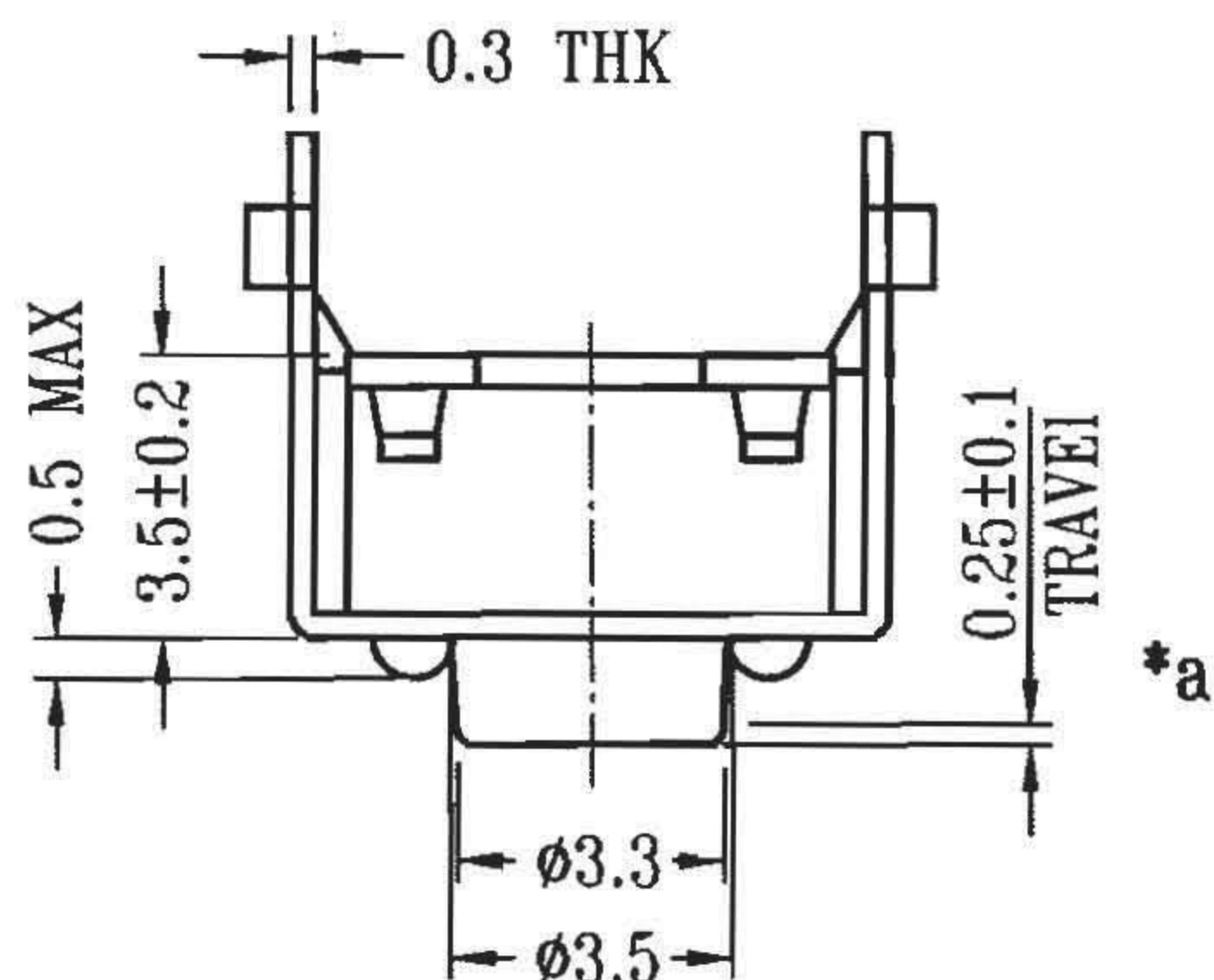
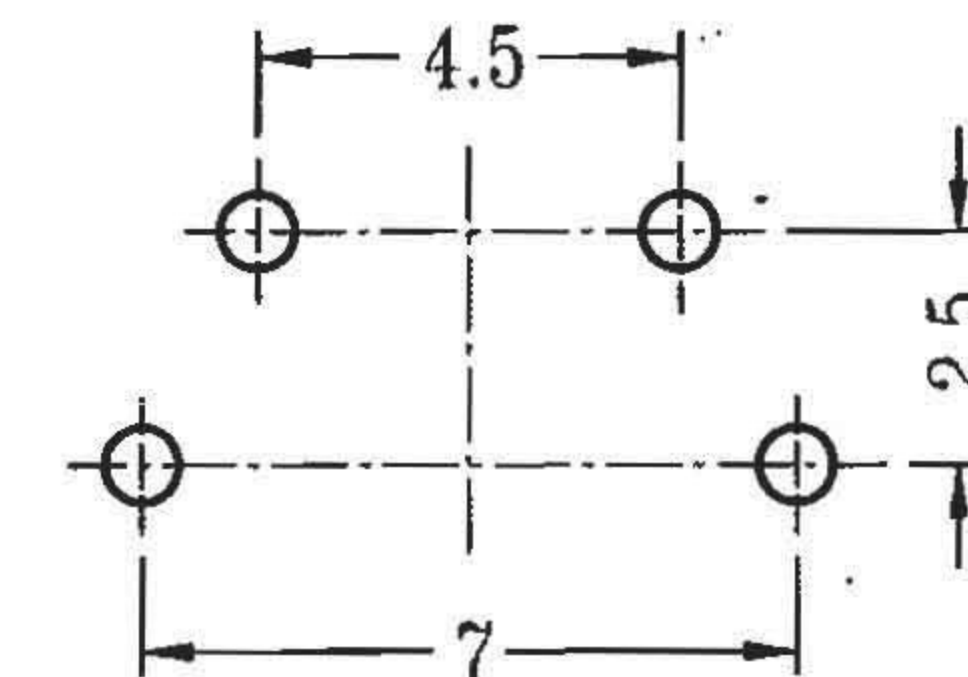


CAD FILE:



SCHEMATIC



P.C.B. LAYOUT

注：“*”表示关键尺寸(5个)

NO.	PARTS	MATERIALS	Q'TY	FINISH	TOLERANCE UNLESS SPECIFIED	ISSUE	DATE	DESCRIPTIONS OF REVISION	APPD.
8									
7									
6					WITHIN 1.5mm : ±0.1mm			样板图	
5					OVER 1.5mm : ±0.2mm				
4	CONTACT	PBS C5210R-EH	1	Ag CLAD	TITLE : TACT SWITCH			UNIT : mm	DRWG NO.: TT-DR-TC0223-00
3	CASE	NYLON+F.G/BRASS STRIP	1	BLACK/Ag PLATED OVER Ni PLATED	MODEL: TC-0223			SCALE: 4:1	DWN.
2	COVER	ZINC PLATE	1	Sn PLATED					CHK'D
1	KNOB	NYLON+F.G	1	AS PER IPO					APPD.