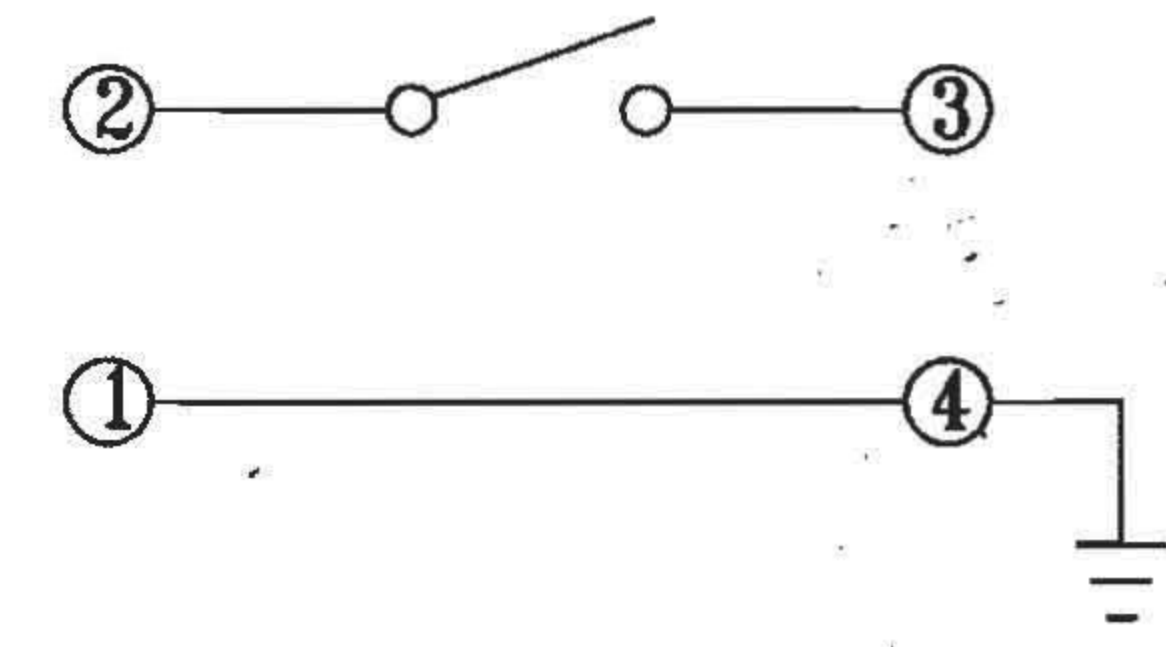
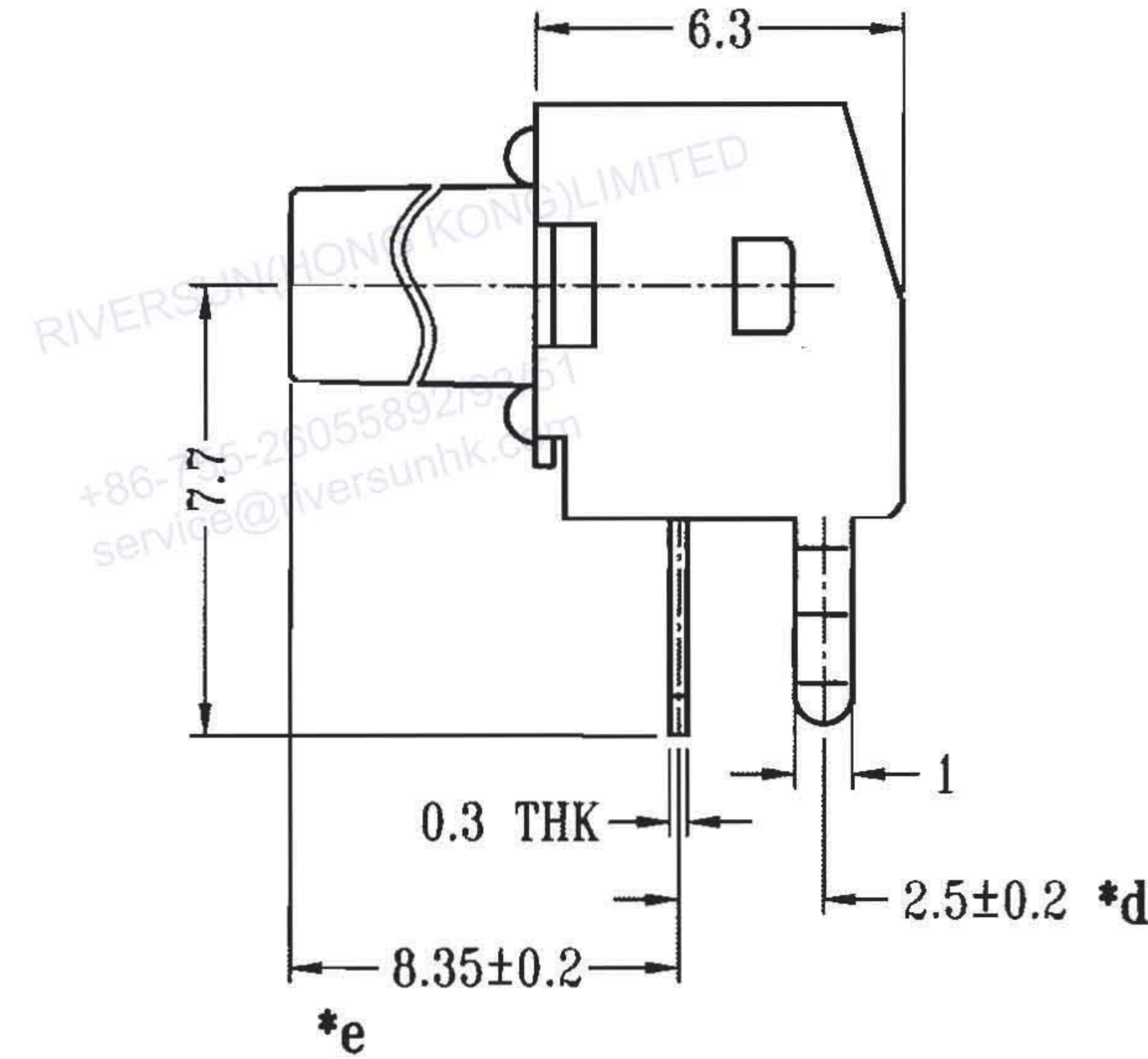
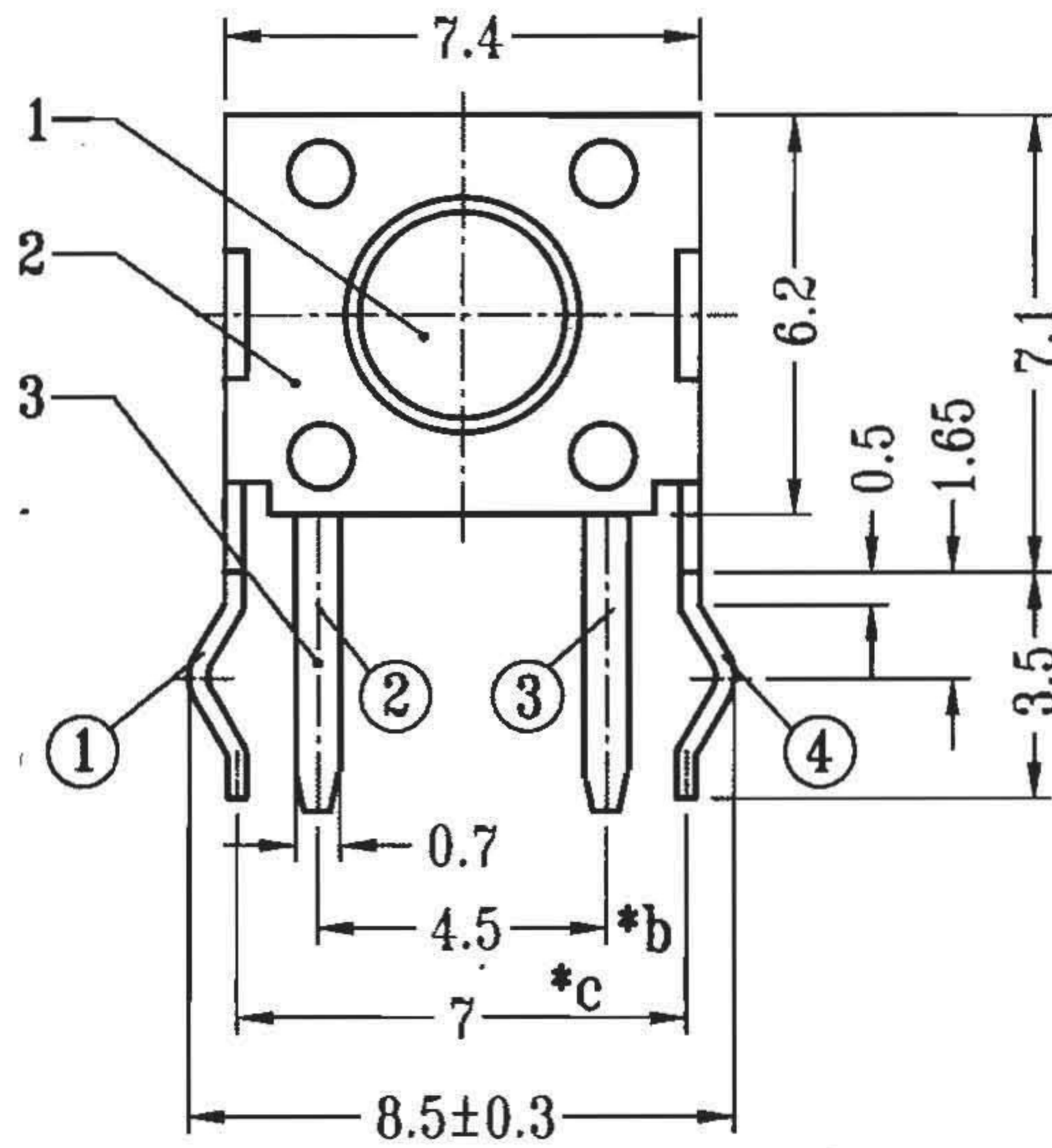
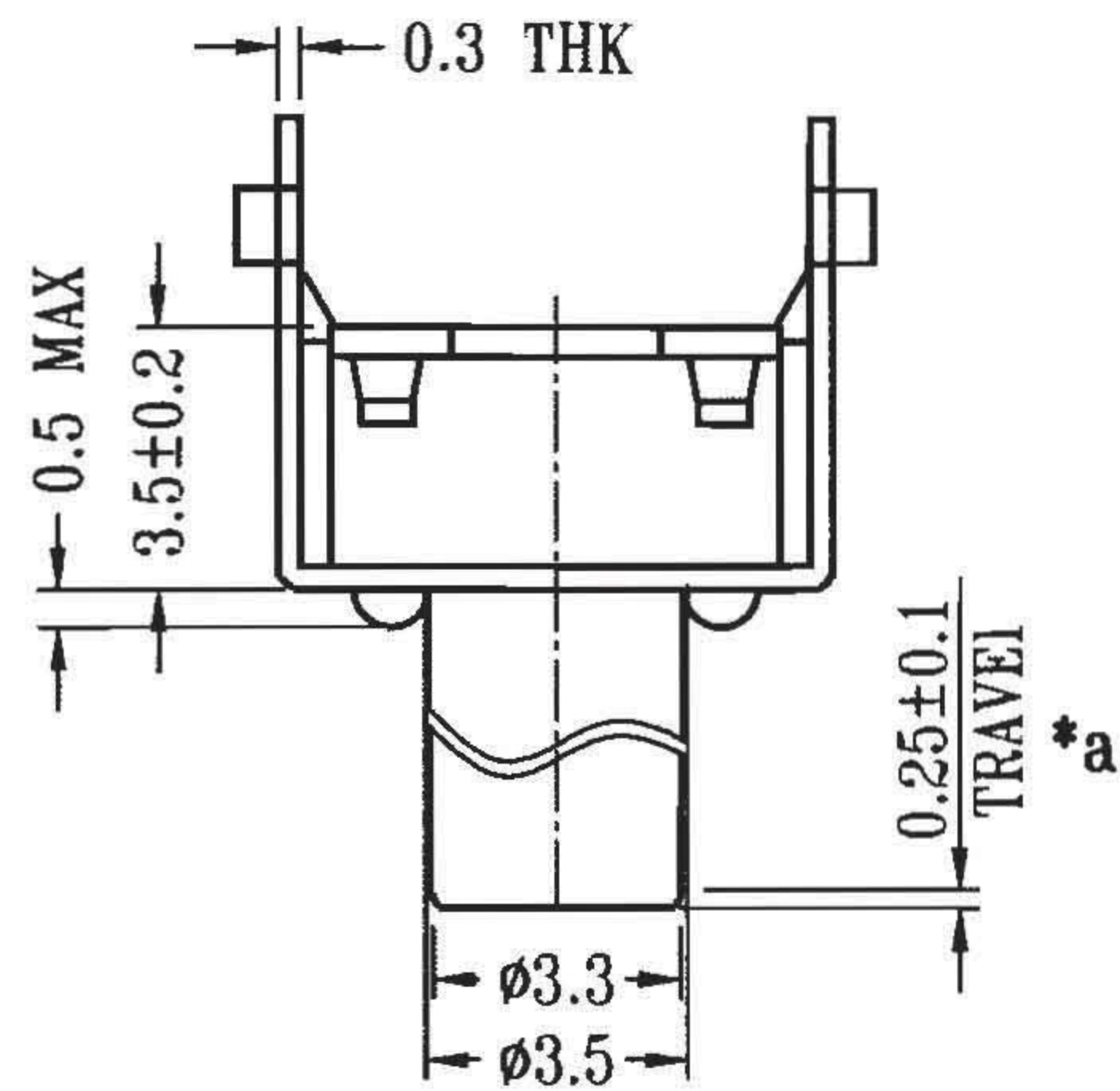
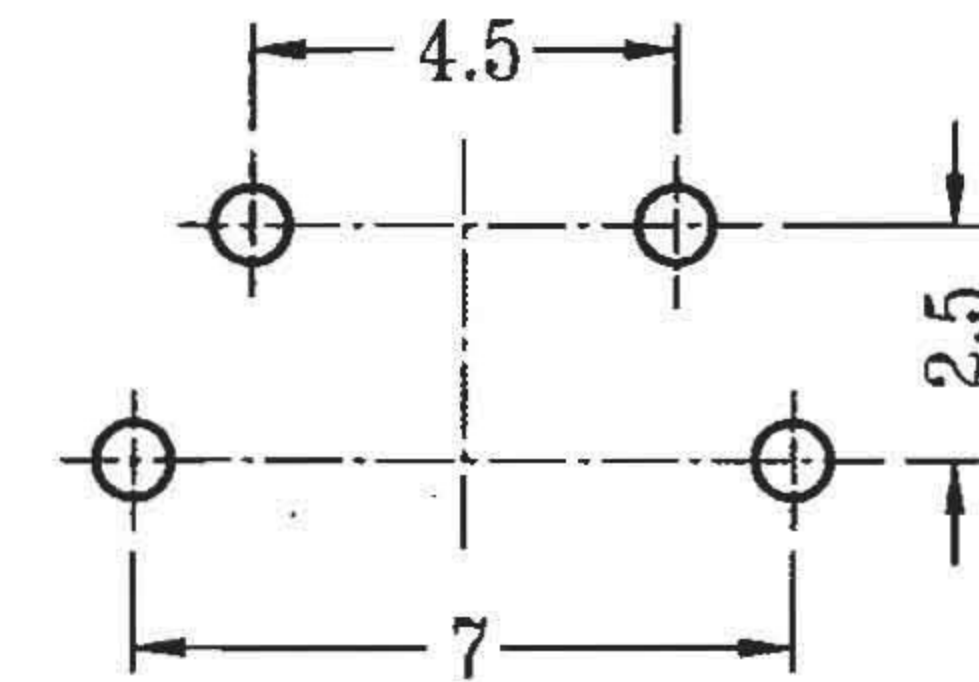


CAD FILE:



SCHEMATIC



P.C.B. LAYOUT

注：“*”表示关键尺寸(5个)

| NO. | PARTS | MATERIALS | Q'TY | FINISH | TOLERANCE UNLESS SPECIFIED | | 样板图 | |
|-----|---------|-----------------------|------|--------------------------------|----------------------------|-------|------------|---------------------------|
| | | | | | WITHIN 1.5mm : ±0.1mm | ISSUE | DATE | DESCRIPTIONS OF REVISION |
| | | | | | OVER 1.5mm : ±0.2mm | | | APPD. |
| 8 | | | | | | | | |
| 7 | | | | | | | | |
| 6 | | | | | | | | |
| 5 | | | | | | | | |
| 4 | CONTACT | PBS C5210R-EH | 1 | Ag CLAD | TITLE : TACT SWITCH | | UNIT : mm | DRWG NO.: TT-DR-TC0225-00 |
| 3 | CASE | NYLON+F.G/BRASS STRIP | 1 | BLACK/Ag PLATED OVER Ni PLATED | MODEL: TC-0225 | | SCALE: 4:1 | DWN. |
| 2 | COVER | ZINC PLATE | 1 | Sn PLATED | | | | CHK'D |
| 1 | KNOB | NYLON+F.G | 1 | AS PER IPO | | | | APPD. |