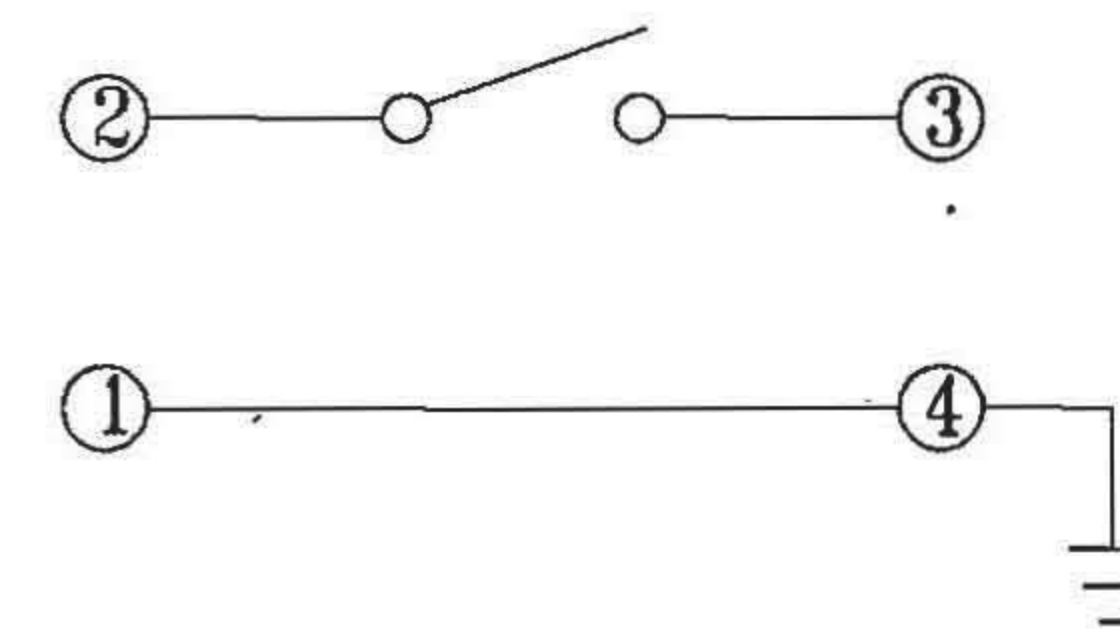
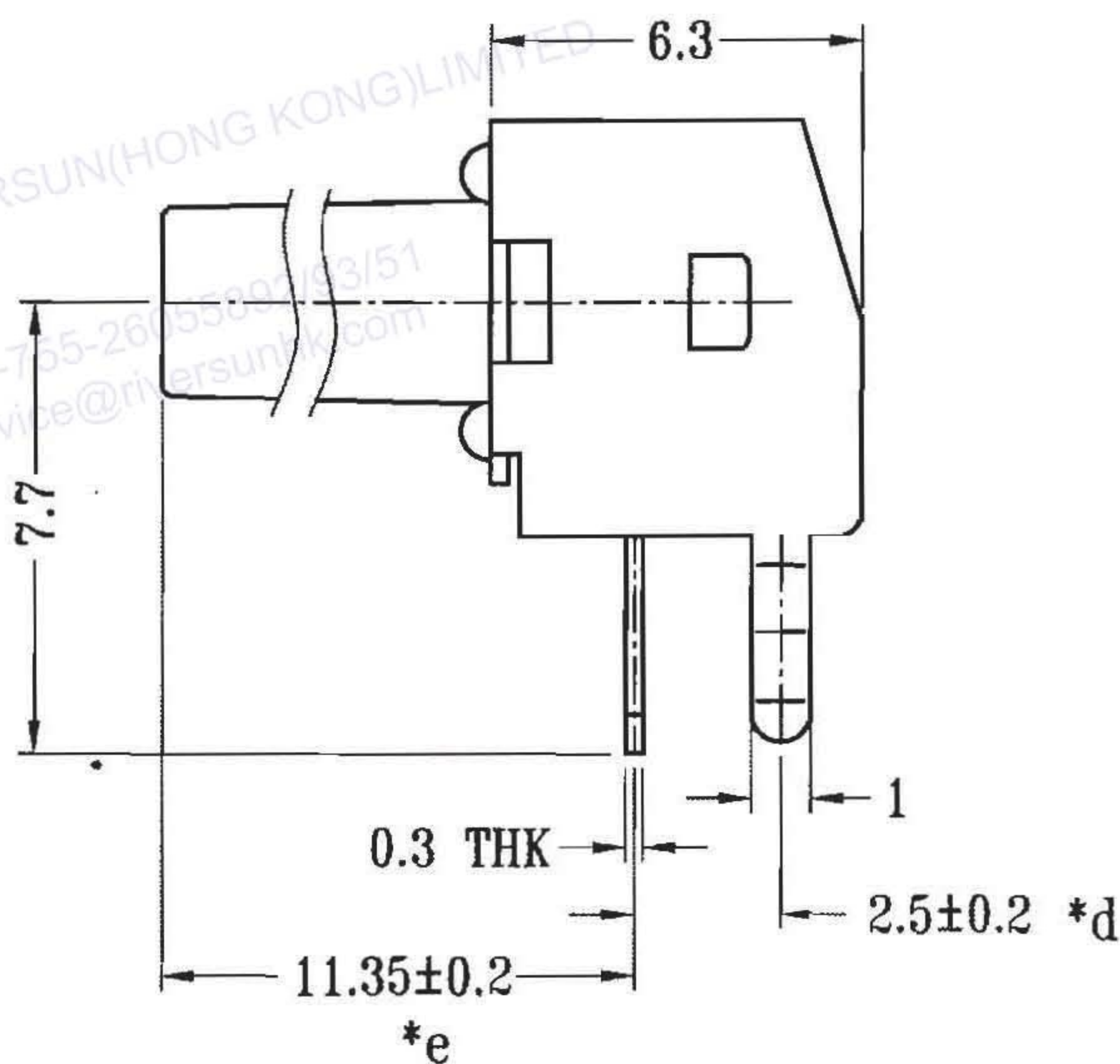
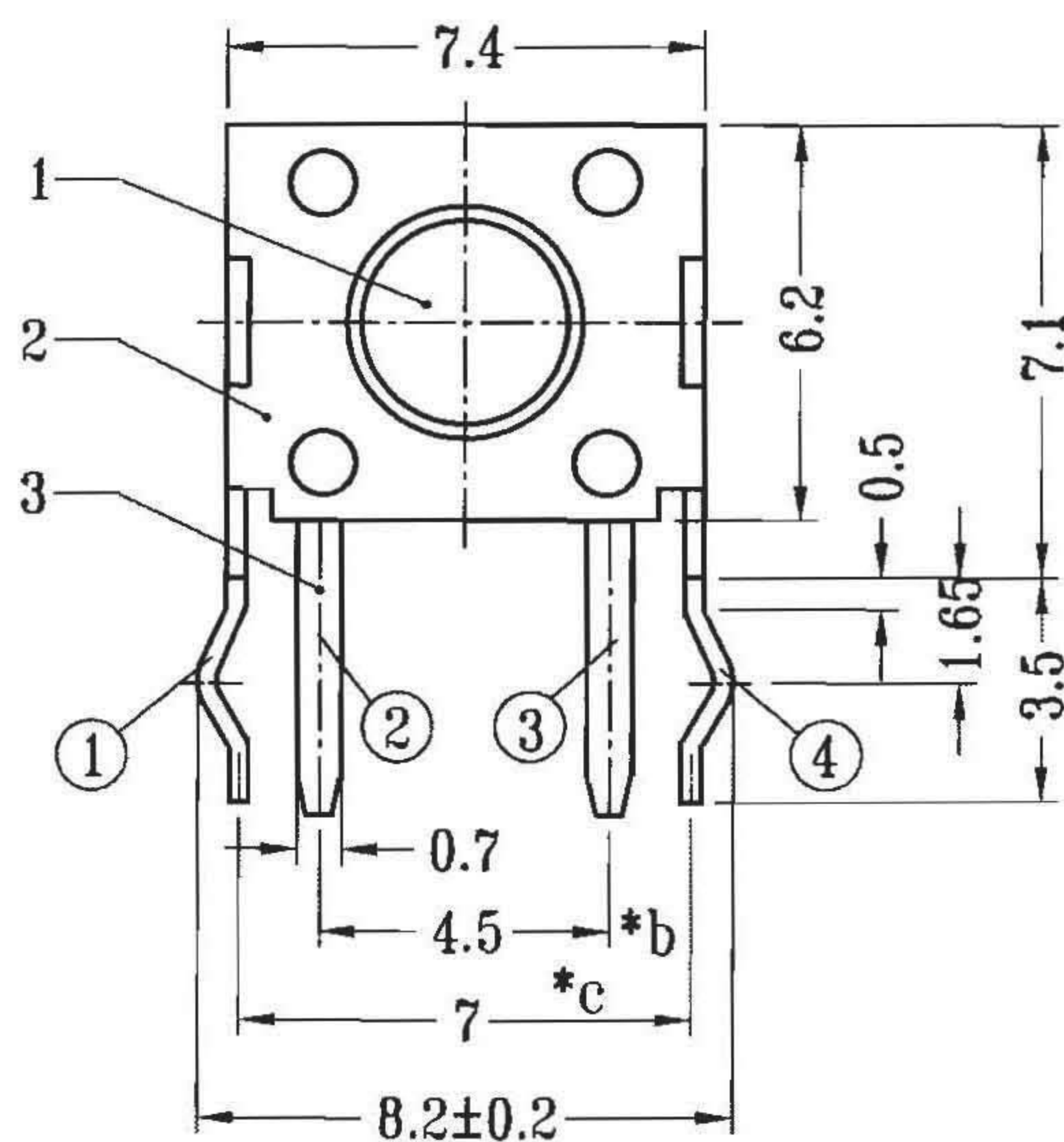
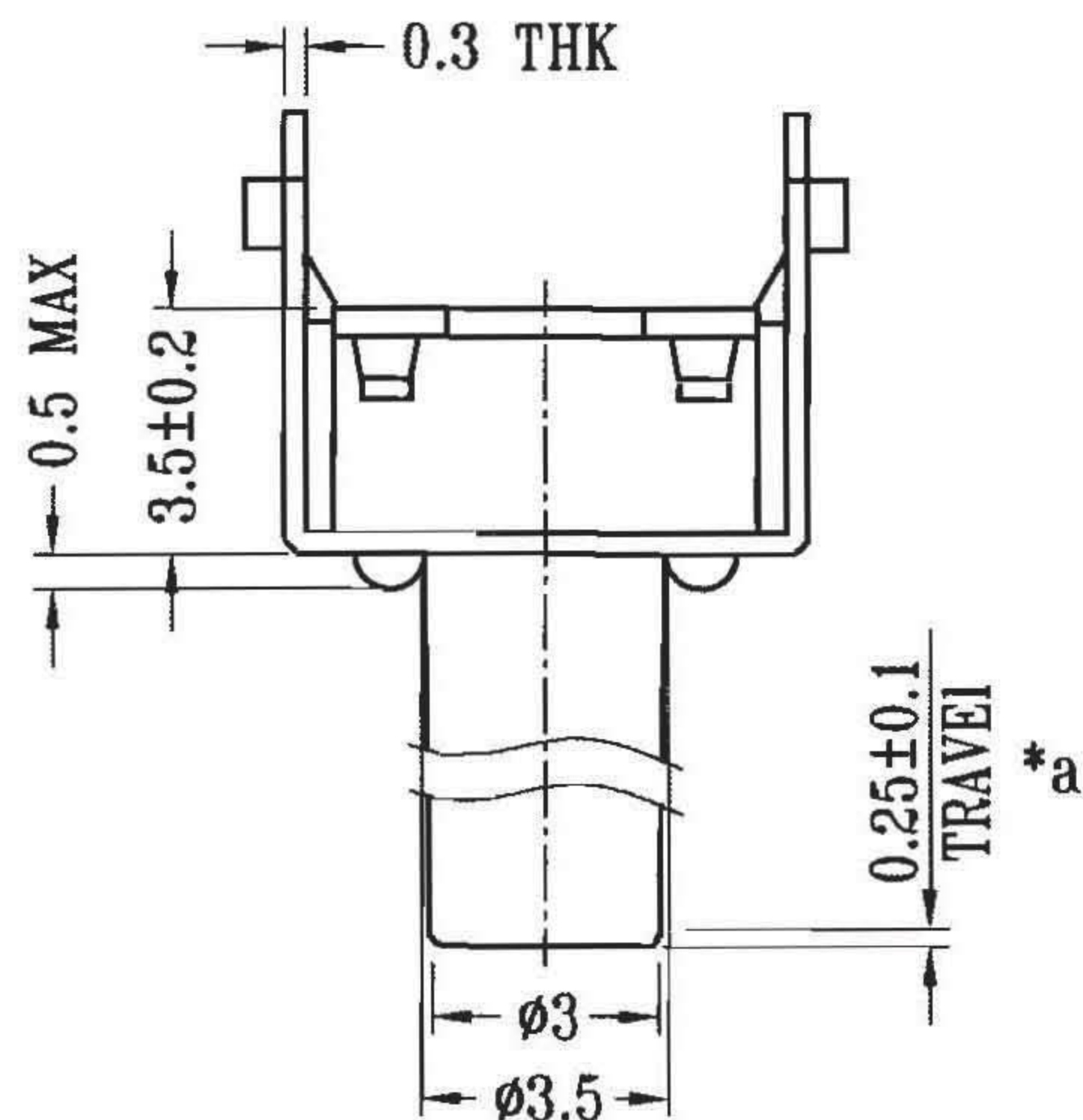
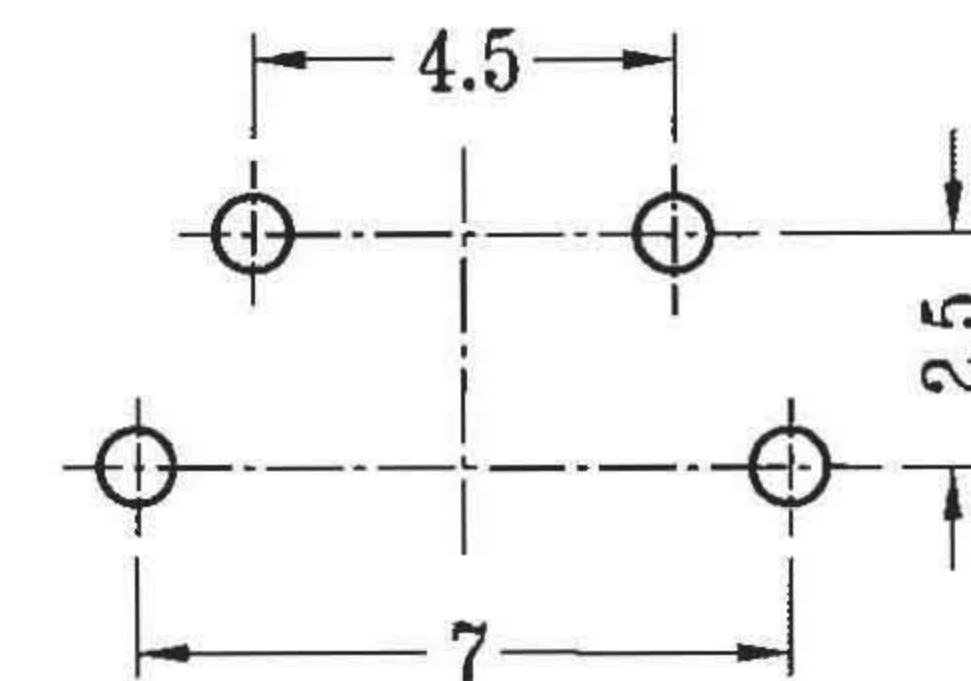


CAD FILE:



SCHEMATIC



P.C.B. LAYOUT  
BOTTOM VIEW

注：“\*”表示关键尺寸(5个)

NO.	PARTS	MATERIALS	Q'TY	FINISH	TOLERANCE UNLESS SPECIFIED		ISSUE	DATE	DESCRIPTIONS OF REVISION	APPD.
8					WITHIN 1.5mm	±0.1mm				
7					OVER 1.5mm	±0.2mm				
4	CONTACT	PBS C5210R-EH	1	Ag CLAD					TITLE : TACT SWITCH	UNIT : mm
3	CASE	NYLON+F.G/BRASS STRIP	1	BLACK/Ag PLATED OVER Ni PLATED					MODEL: TC-0227	DRWG NO.: TT-DR-TC0227-00
2	COVER	STEEL STRIP	1	Sn PLATED					SCALE: 4:1	DWN.
1	KNOB	NYLON+F.G	1	BLACK						CHK'D
										APPD.