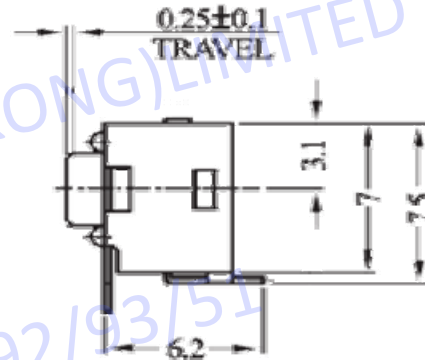
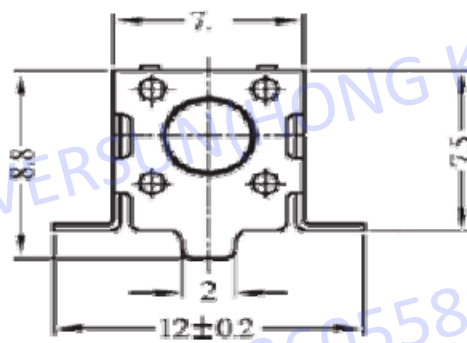
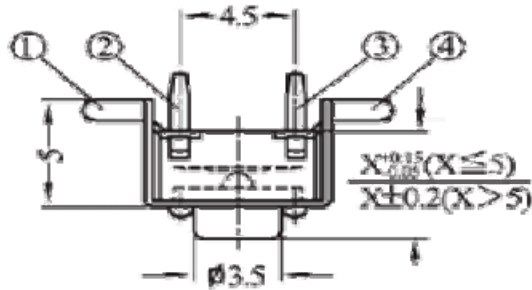
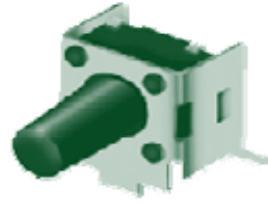
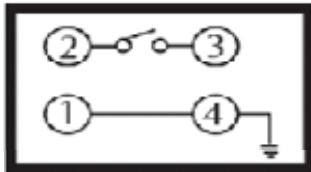


# TC-0250

## CIRCUIT DIAGRAM



**RATING: DC 12V 50mA**

### 轻触开关主要技术特性

#### The Main Technical Characteristic Tact Switch

额定负荷	DC 12V 50mA	操作温度	-16°C to 60°C
Rated Load		Operating Temperature	
接触电阻	< 100 mΩ	寿命	100,000 次
contact Resistance		Life Test	
绝缘电阻	> 100 MΩ	作用力	T 100gf ± 30gf V 130gf ± 30gf X 160gf ± 50gf W 170gf ± 50gf Y 190gf ± 50gf Z 250gf ± 100gf
Insulation Resistance		Operating Force	
耐电压	250V 0.5mA/min		
Dielectric Strength			