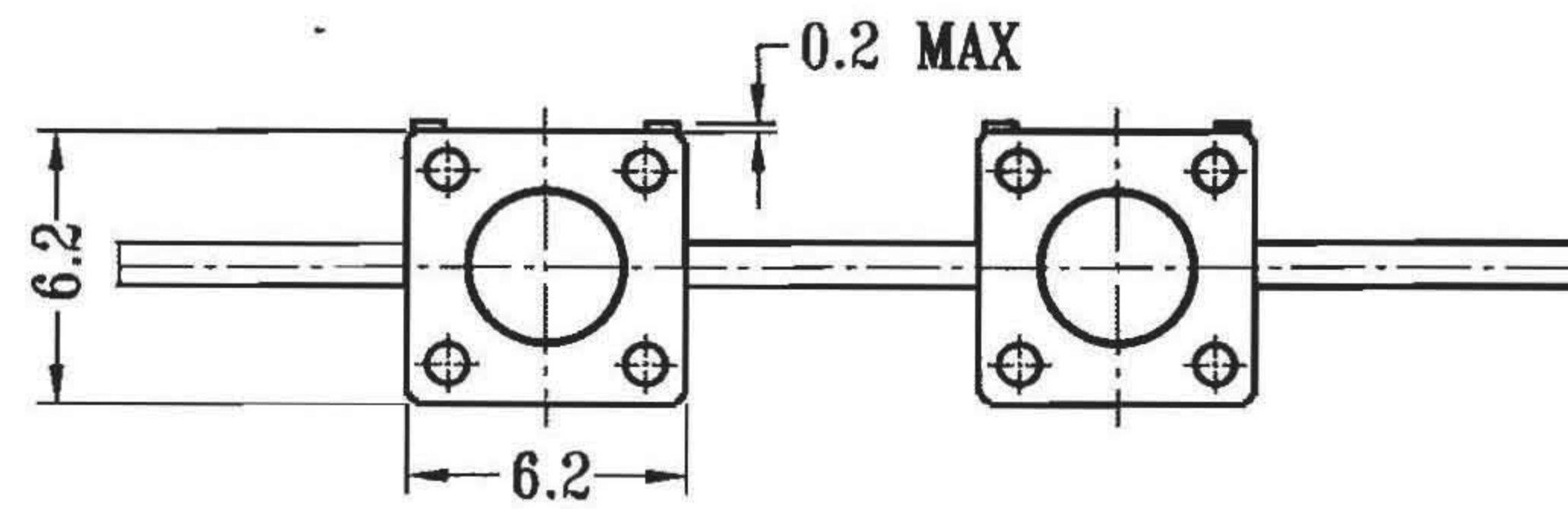
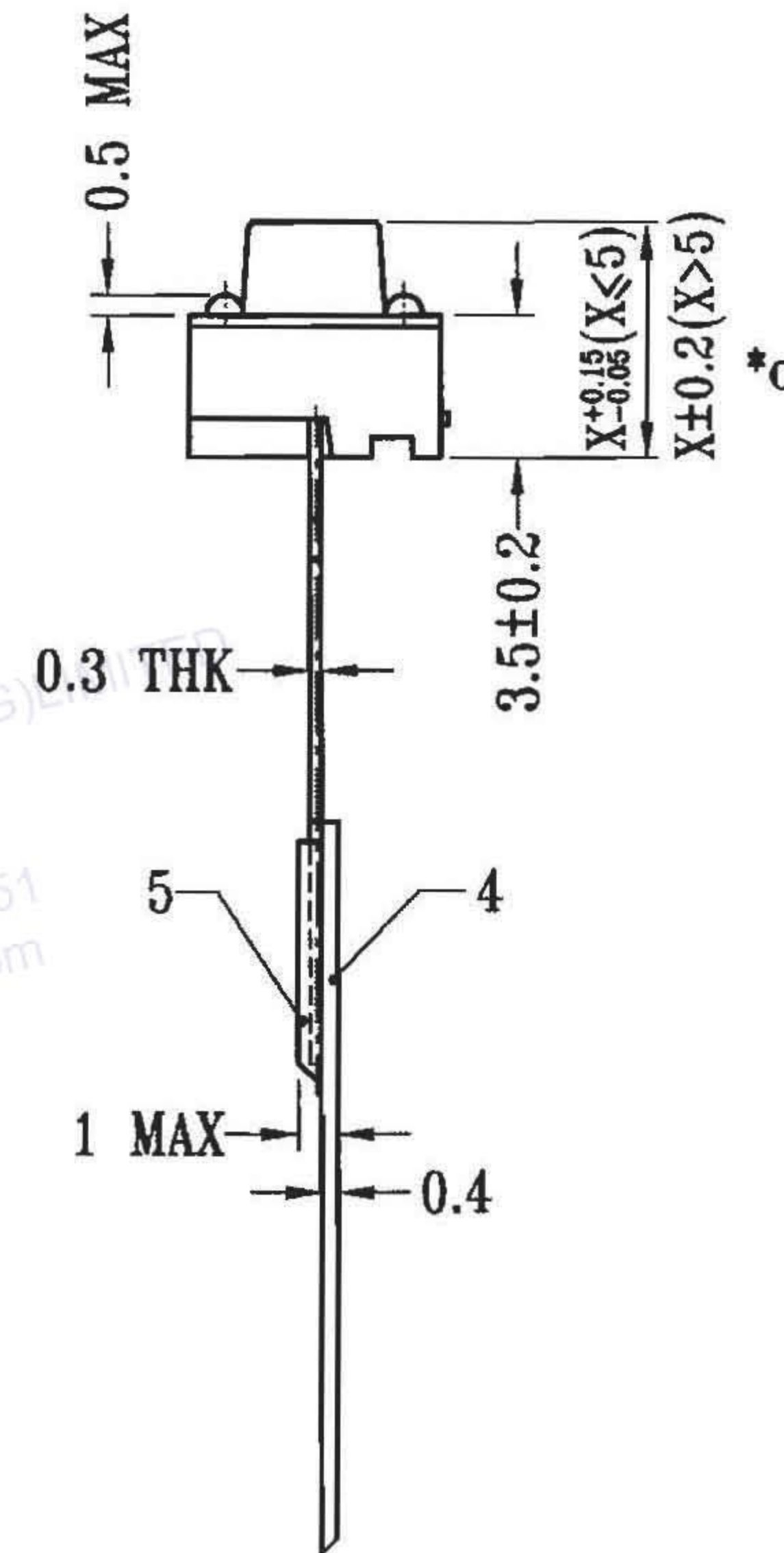
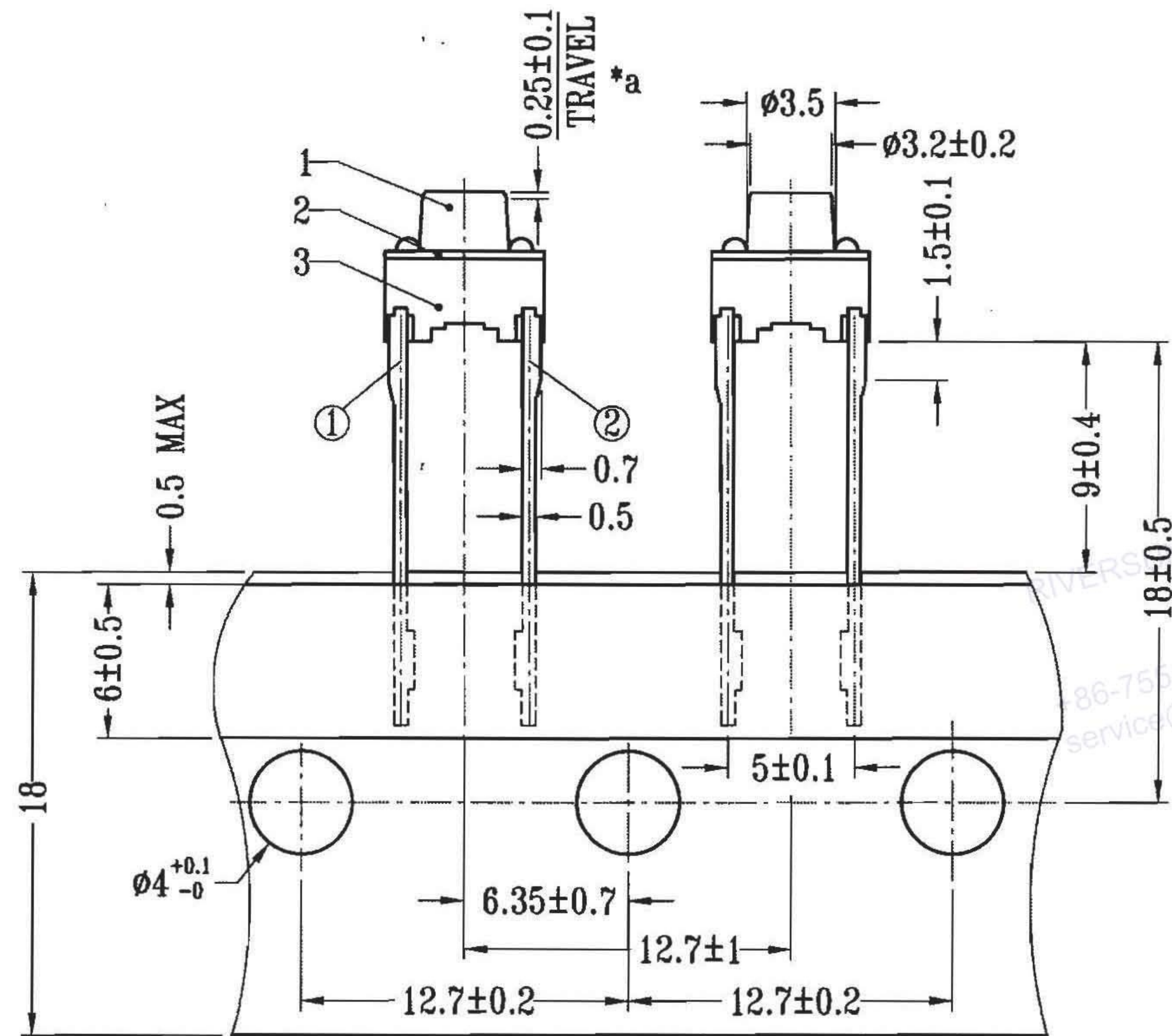


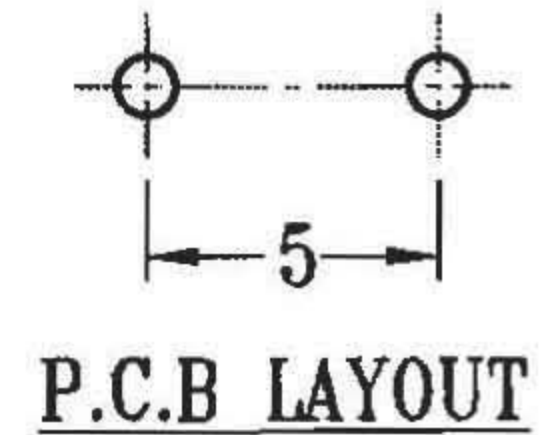
CAD FILE:



SCHEMATIC



TC-0309	TC0109	12.5
TC-0308	TC0108	9.5
TC-0306	TC0106	8.0
TC-0305	TC0105	7.3
TC-0304	TC0104	7.0
TC-0303	TC0103	5.0
TC-0302	TC0102	4.3
MODEL NO.	KNOB TYPE	X



P.C.B LAYOUT

注: "*"表示关键尺寸(3个).

NO.	PARTS	MATERIALS	Q'TY	FINISH	TOLERANCE UNLESS SPECIFIED	ISSUE	DATE	DESCRIPTIONS OF REVISION	APPD.	
8										
7										
6	CONTACT	PBS C5210R-EH	1	Ag CLAD	WITHIN 1.5mm : ±0.1mm	A	26-Oct-2007	初版		
5	ADHESIVE TAPE	ADHESIVE TAPE			OVER 1.5mm : ±0.2mm	ISSUE	DATE	DESCRIPTIONS OF REVISION	APPD.	
4	PAPER TAPE	PAPER			TITLE : TACT SWITCH				UNIT : mm	DRWG NO.: TT-DR-TC0302-00
3	CASE	NYLON+F.G/BRASS STRIP	1	BLACK/Ag PLATED OVER Ni PLATED	MODEL: TC-0302~0309				SCALE: 5:2	DWN.
2	COVER	ZINC PLATE/PET	1	Ni PLATED/CLEAR					CHK'D	
1	KNOB	POM/NYLON+F.G/NYLON+F.G+94V0	1	SEE KNOB CHART					APPD.	