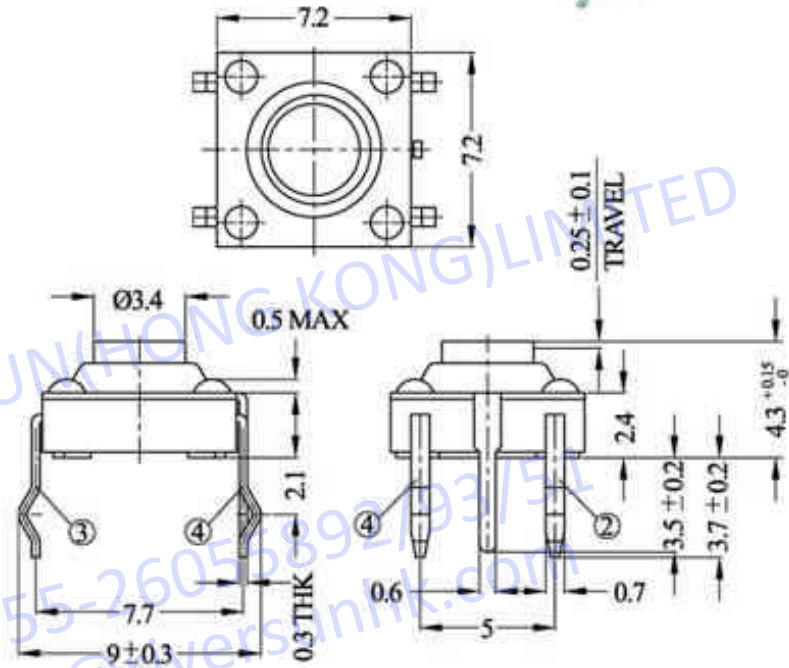
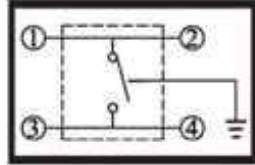


# TC-47XA

## CIRCUIT DIAGRAM



**RATING: DC 12V 50mA**