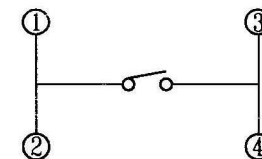
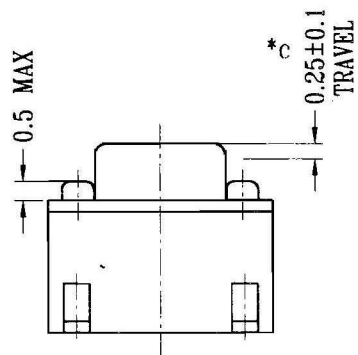
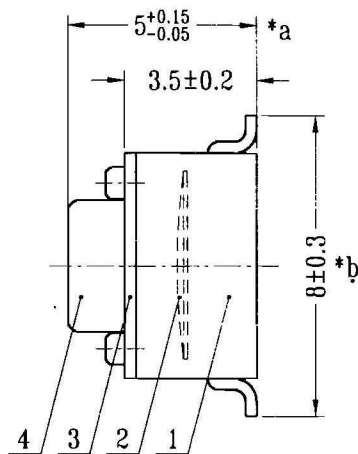
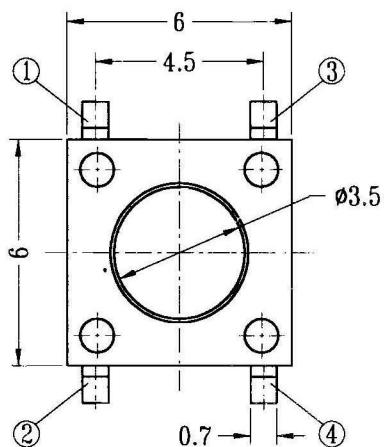
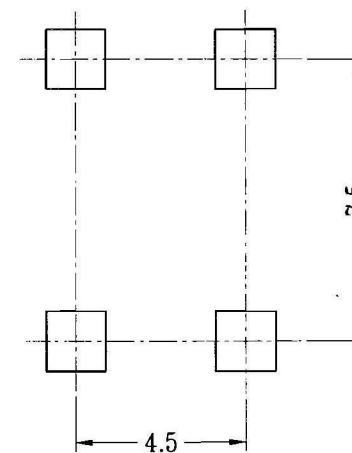


CAD FILE:



SCHEMATIC



P.C.B LAYOUT

OPERATING FORCE	CODE
100gf	T
130gf	V
160gf	X
170gf	W
190gf	Y
250gf	Z

注: "*"表示關鍵尺寸(3個).

					TOLERANCE					
					UNLESS SPECIFIED					
					WITHIN: 1.5±0.1mm					
					OVER : 1.5±0.2mm		ISSUE	DATE	DESCRIPTIONS	APPD.
8					TITLE : TACT SWITCH			UNIT : MM	DRWG NO.:	
7					MODEL: TD-06XA			SCALE: 5 : 1	DWN.	
6								CHK'D		
5								APPD.		
4	KNOB	PBT/NYLON	1	SEE KNOB CHART						
3	COVER	ZINC PLATE	1	WASHING						
2	CONTACT	SEE CONTACT CHART	1	Ag CLAD						
1	CASE	NYLON/BRASS SRTIP	1	BLACK/Ag PLATED						
NO.	PART	NAME	MATERIAL	Q'TY	FINISHING					