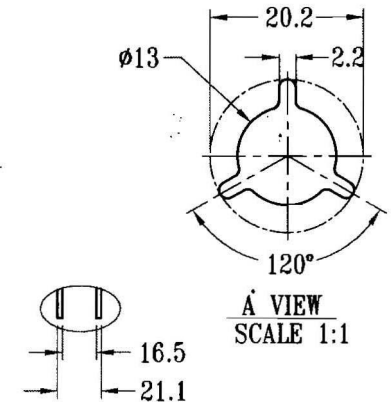
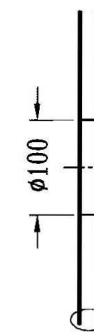
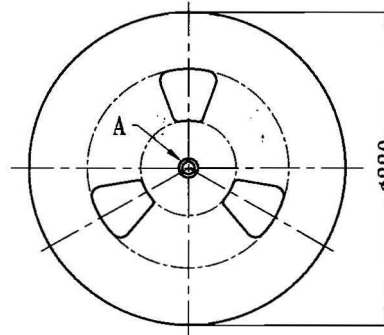
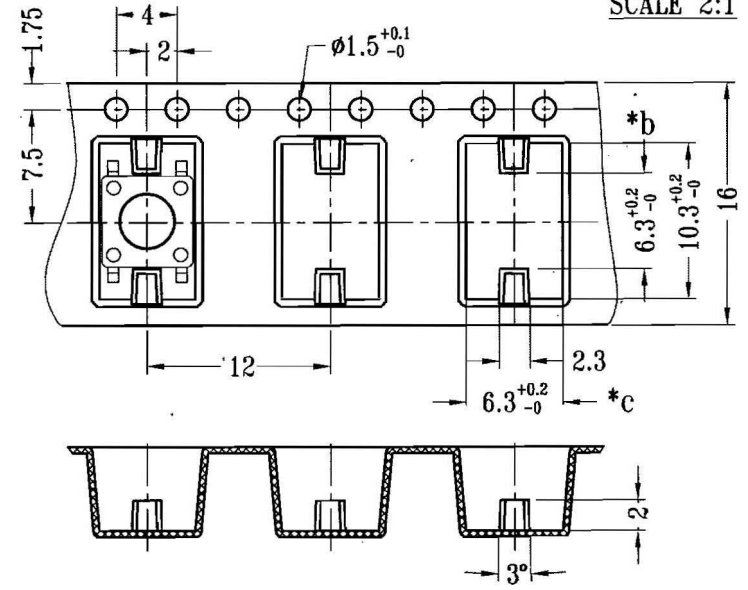
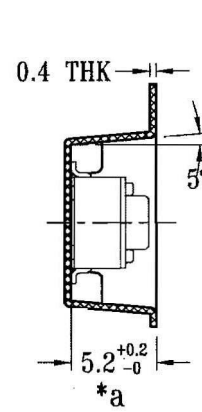
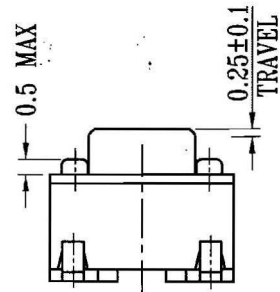
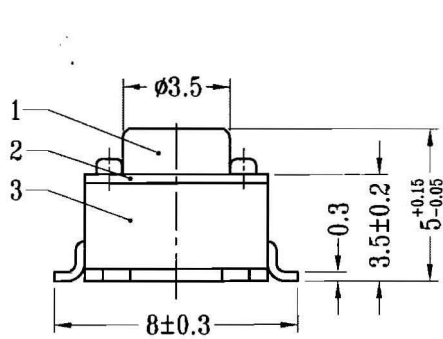
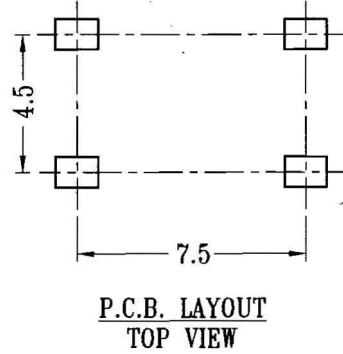
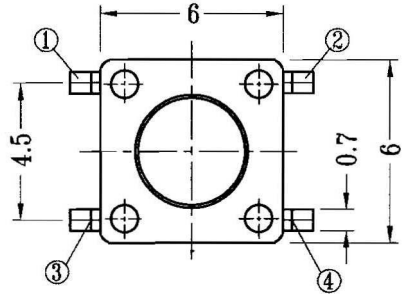
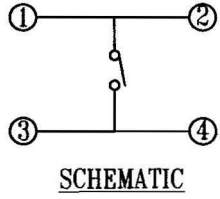


CAD FILE:



SCALE 1:8

SCALE 2:1

注：“\*”表示关键尺寸（3个）。

NO.	PARTS	MATERIALS	Q'TY	FINISH
8				
7				
6				
5	TD03XA TAPE & REEL	PS	1	CLEAR
4	CASE	FR52/BRASS SRTIP	1	BLACK/Ag PLATED OVER PLATED
3	CONTACT	PBS C5210R-EH	1	Ag CLAD
2	COVER	STEEL STRIP	1	Ni PLATED
1	KNOB	FR52	1	BLACK

TOLERANCE UNLESS SPECIFIED					
WITHIN 1.5mm	: ±0.1mm	C	27-Jun-2007	转用TD-03XA包装带出货	
OVER 1.5mm	: ±0.2mm	ISSUE	DATE	DESCRIPTIONS OF REVISION	APPD.
TITLE : TACT SWITCH				UNIT : mm	DRWG NO.:
MODEL: TD-06XA(TR)				SCALE: 4:1	DWN.
					CHK'D
					APPD.