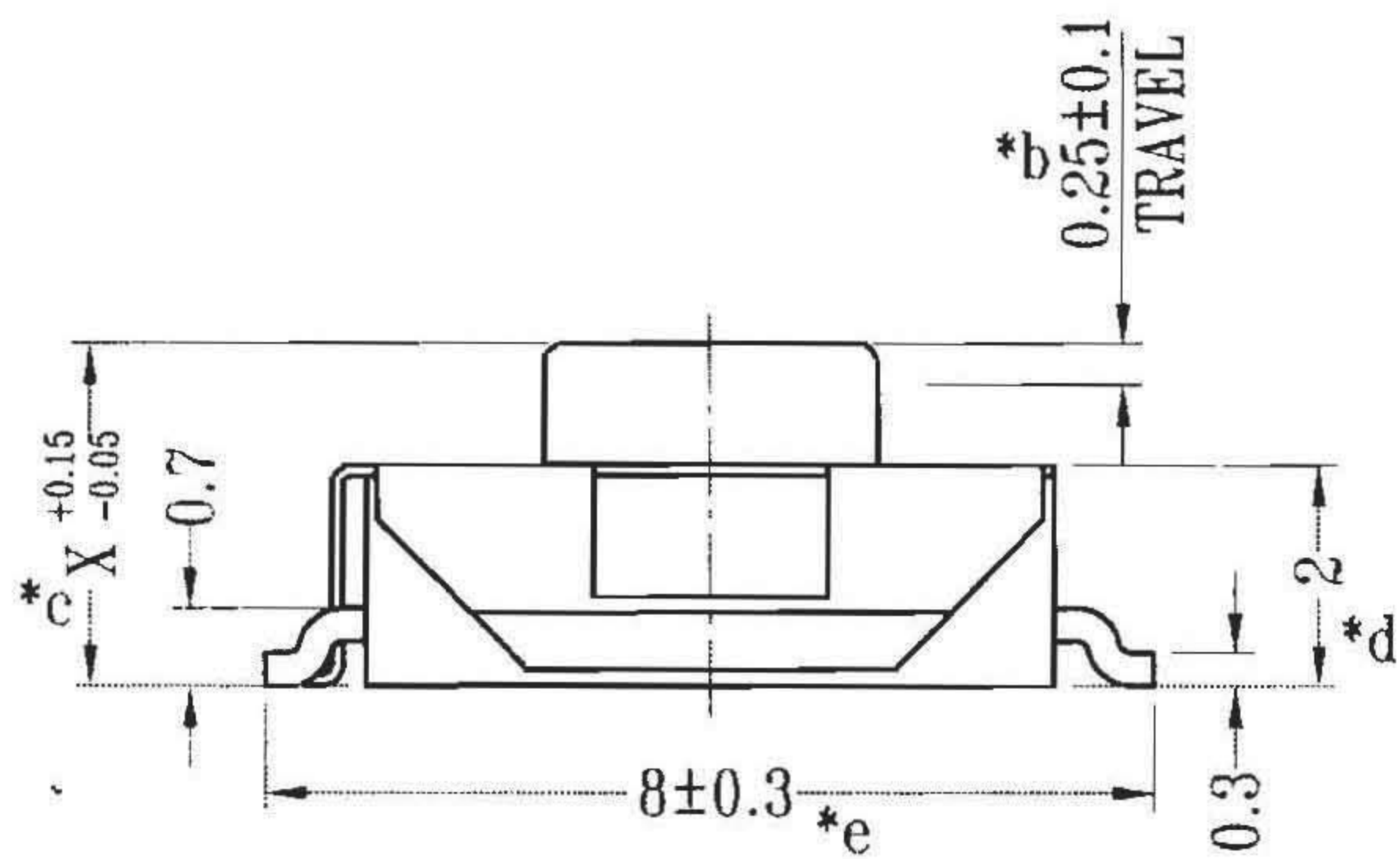
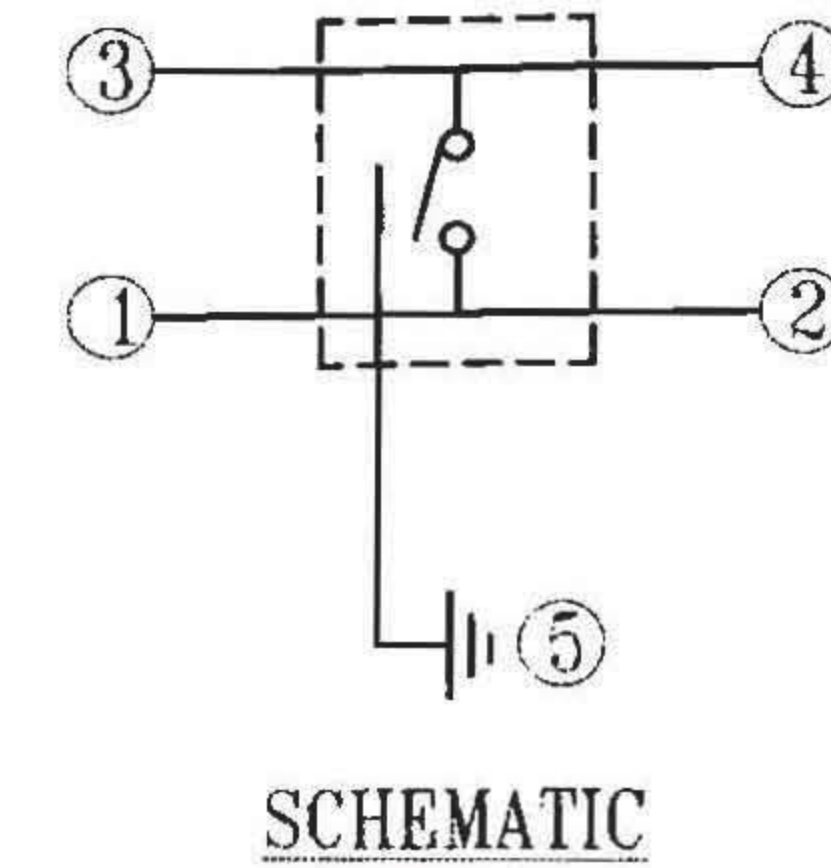
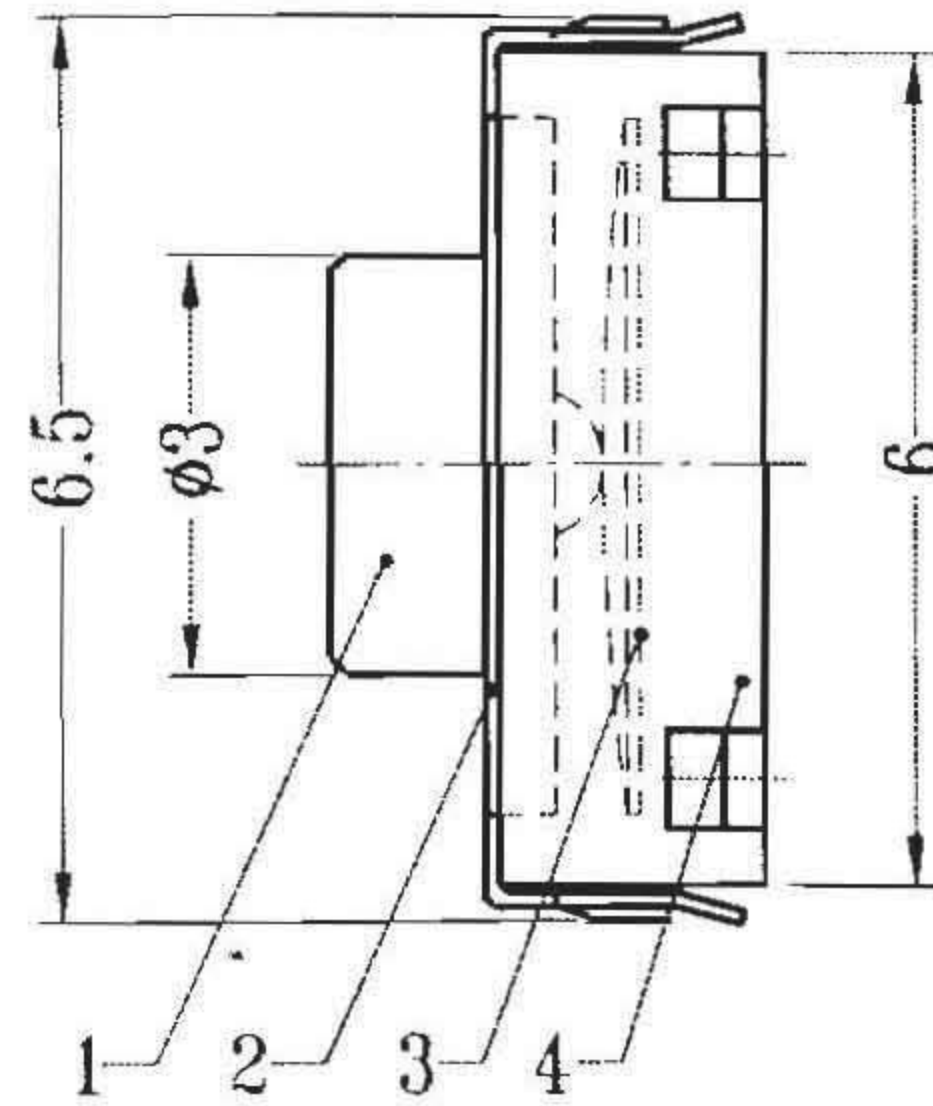
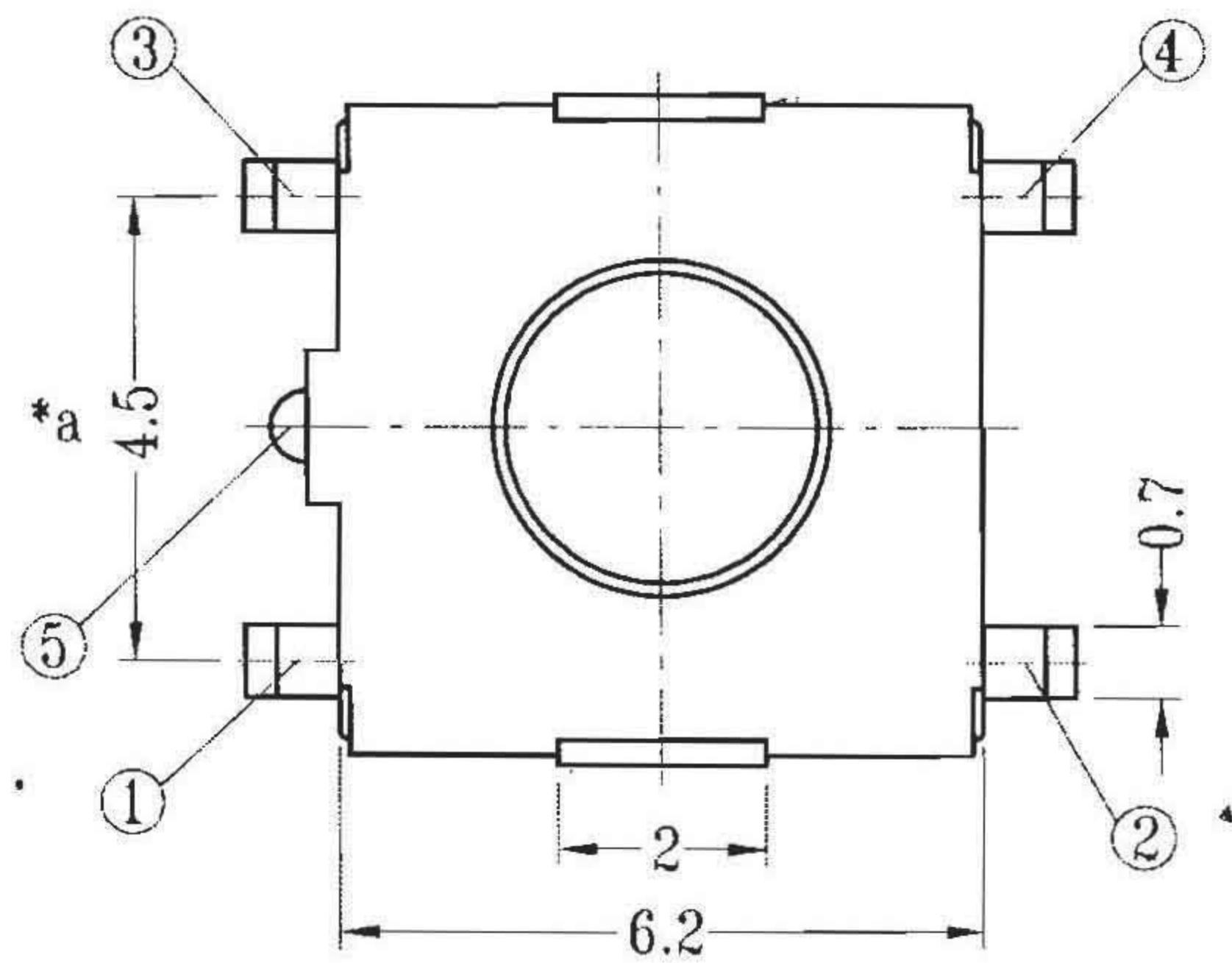
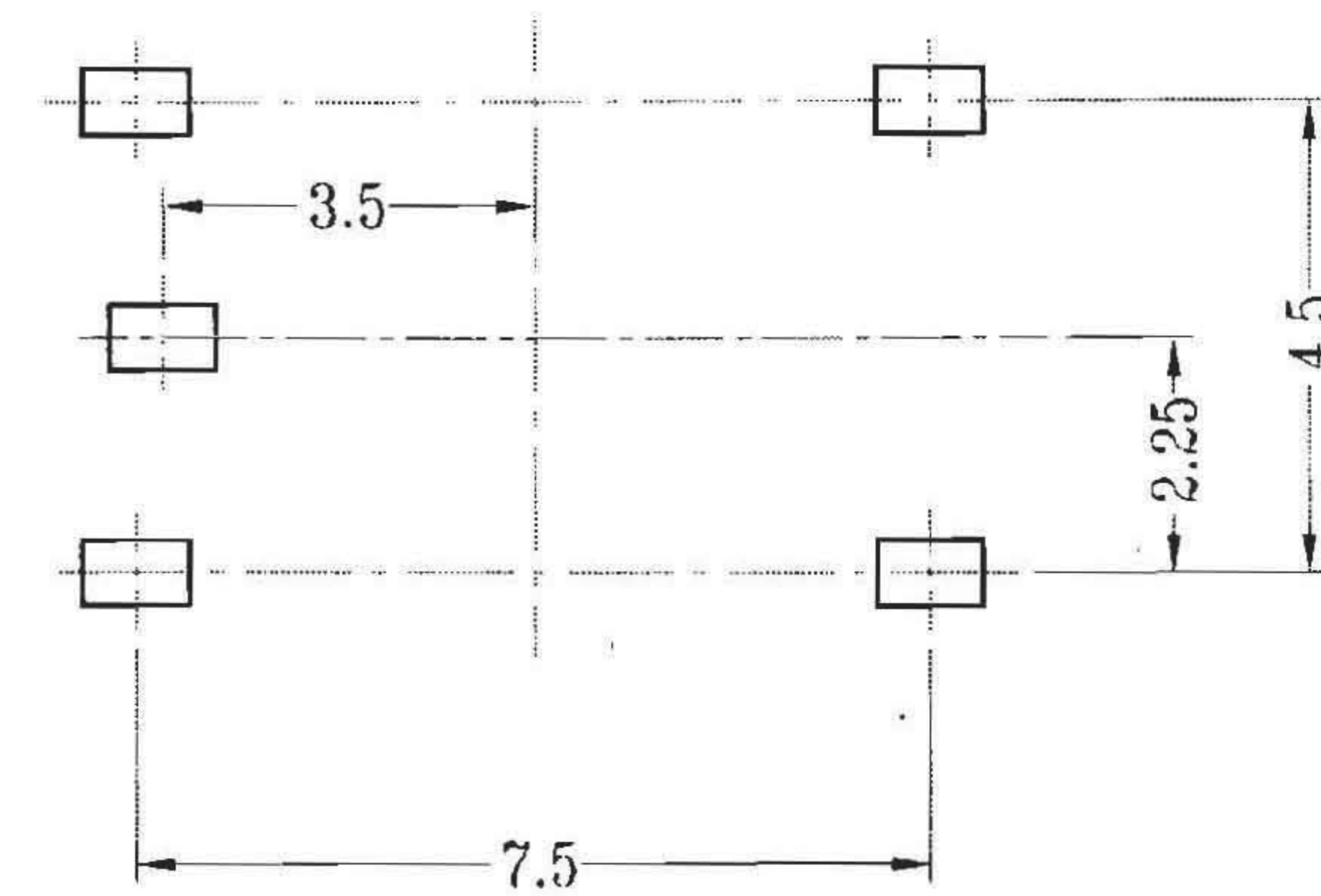


CAD FILE:



RIVERSUN(HONG KONG)LIMITED
+86-755-26055892/93/51
service@riversunhk.com

MODEL NO.	TD-07XB	TD-07XA
X=	2.5	3.1



W公司

注：“*”表示關鍵尺寸(5個)

NO.	PARTS	MATERIALS	Q'TY	FINISH	TOLERANCE UNLESS SPECIFIED			DESCRIPTIONS OF REVISION	
8					WITHIN 1.5mm	: ±0.1mm	D	19-May-2006	新增一款PA9T料
7					OVER 1.5mm	: ±0.2mm	ISSUE	DATE	APPD.
4	CASE	PA46/BRASS STRIP	1	BLACK/Ag PLATED OVER Ni PLATED	TITLE : TACT SWITCH			UNIT : mm	DRWG NO.: TT-DR-TD07XB-00
3	CONTACT	PBS C5210R-EH	1	Ag CLAD				SCALE: 6:1	DWN.
2	COVER	SUS	1	Ag PLATED OVER Ni PLATED	MODEL: TD-07XB(A)			CHK'D	
1	KNOB	NYLON+F.G/PA9T	1	RED/BLACK				APPD.	