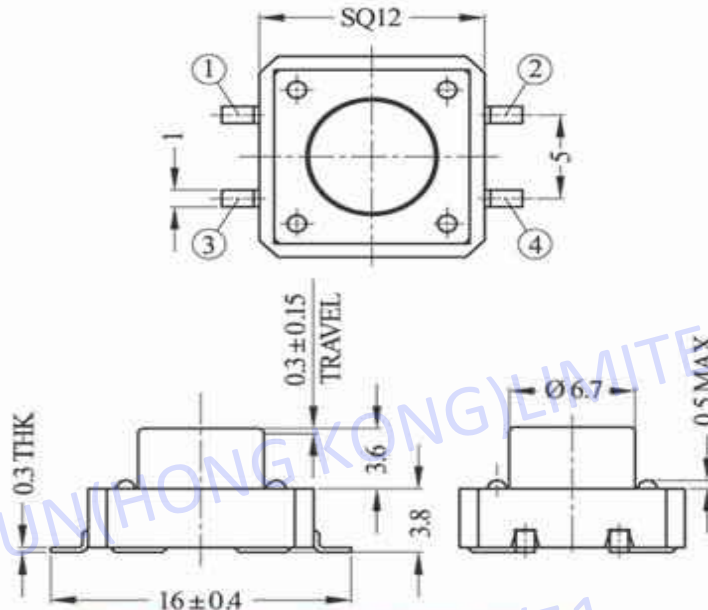
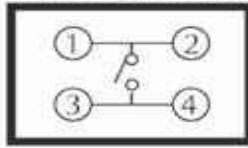


TD-12XK

CIRCUIT DIAGRAM



RATING: DC 12V 50mA

轻触开关主要技术特性

The Main Technical Characteristic Tact Switch

| | | | |
|-----------------------|----------------|-----------------------|-----------------------------------|
| 额定负荷 | DC 12V 50mA | 操作温度 | -16°C to 60°C |
| Rated Load | | Operating Temperature | |
| 接触电阻 | < 100 mΩ | 寿命 | 100,000 次 |
| contact Resistance | | Life Test | |
| 绝缘电阻 | > 100 MΩ | 作用力 | X 160gf ± 50gf Z 250gf ± 100gf |
| Insulation Resistance | | Operating Force | |
| 耐电压 | 250V 0.5mA/min | | |