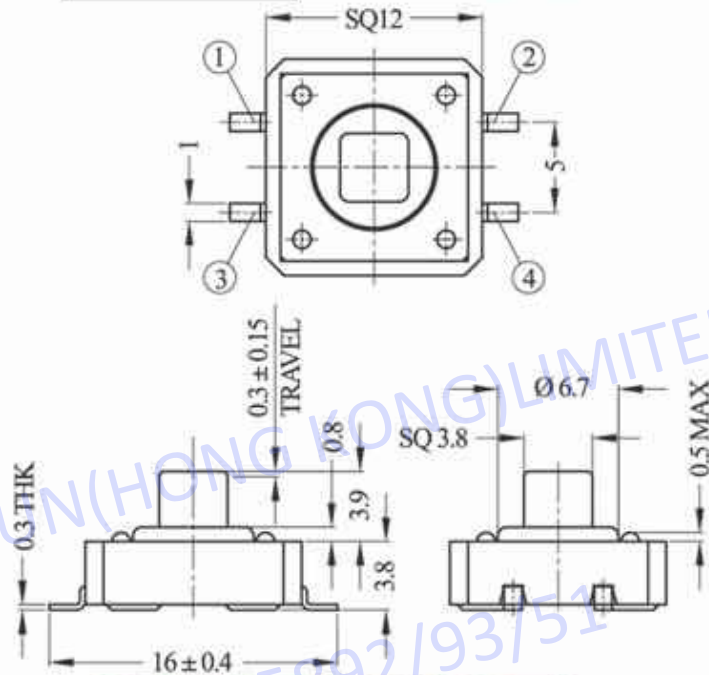
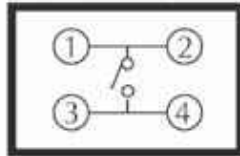


TD-12XL

CIRCUIT DIAGRAM



RATING: DC 12V 50mA

轻触开关系列主要技术先特性

Tact Switch Series Main Technical Characteristics

| | | | |
|-----------------------|-------------|-----------------------|----------------|
| 额定负荷 | DC 12V 50mA | 耐电压 | 250V 0.5mA/min |
| Rated Load | | Dielectric Strength | |
| 接触电阻 | < 100 mΩ | 操作温度 | -16°C to 60°C |
| contact Resistance | | Operating Temperature | |
| 绝缘电阻 | > 100 MΩ | 寿命 | 100,000 次 |
| Insulation Resistance | | Life Test | |